

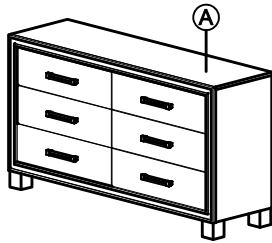
WILLIAM MIRROR ASSEMBLY INSTRUCTIONS



PARTS PACKING CONFIGURATIONS

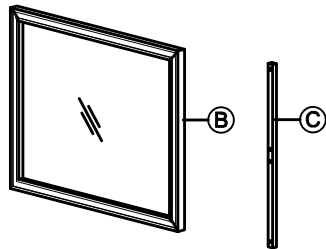
BOX #1

A. DRESSER(SOLD SEPARATELY): 1PC



BOX #2

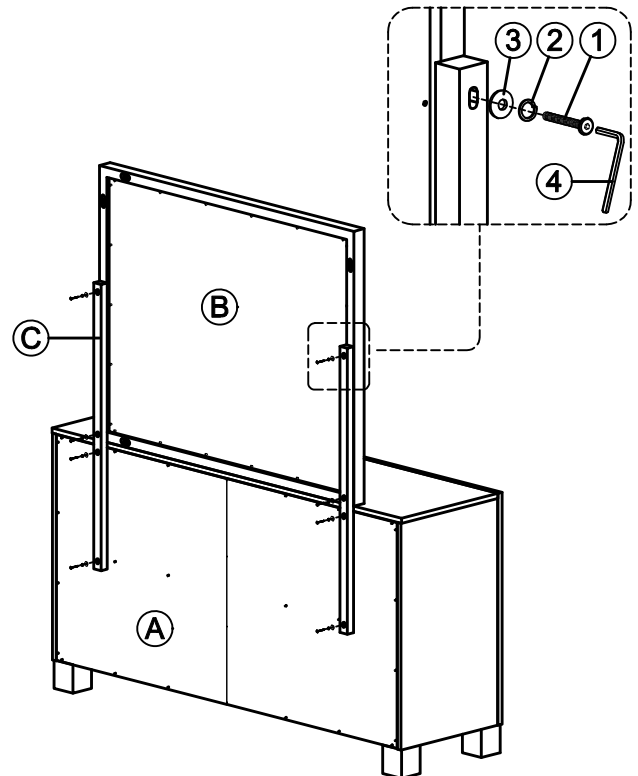
B. MIRROR: 1PC
C. SUPPORT BAR: 2PCS
*MIRROR HARDWARE PACK



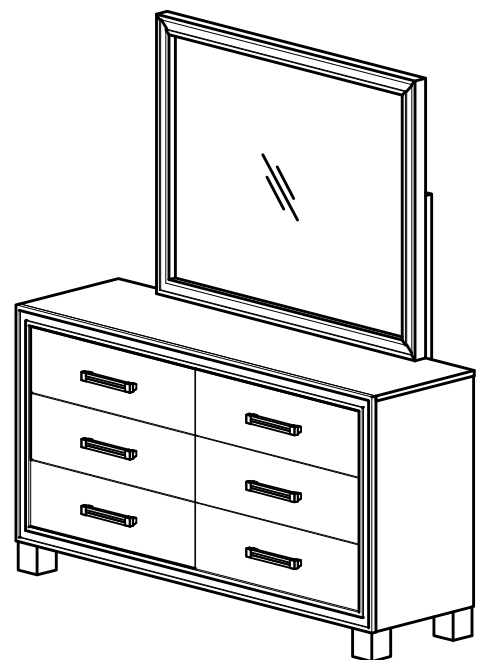
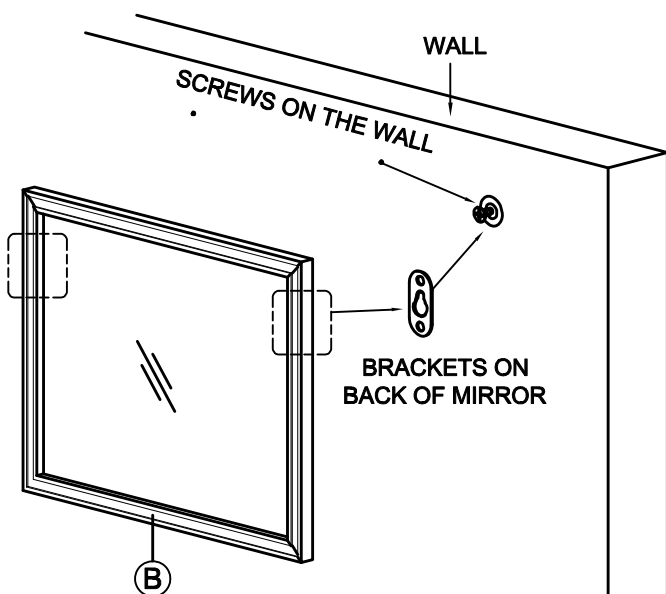
HARDWARE PACKED IN BOX #2

| | | | |
|---|---------------------|--|------|
| 1 | ALLEN BOLT (6x50mm) | | 8PCS |
| 2 | SPRING WASHER (M8) | | 8PCS |
| 3 | FLAT WASHER (M8) | | 8PCS |
| 4 | ALLEN KEY | | 1PC |

OPTION 1 : ATTACHING MIRROR TO DRESSER



OPTION 2 : ATTACHING MIRROR TO WALL



MOUNTING HARDWARE IS NOT INCLUDED.

TOOL REQUIRED :
PHILLIPS-HEAD SCREW DRIVER (NOT PROVIDED)

