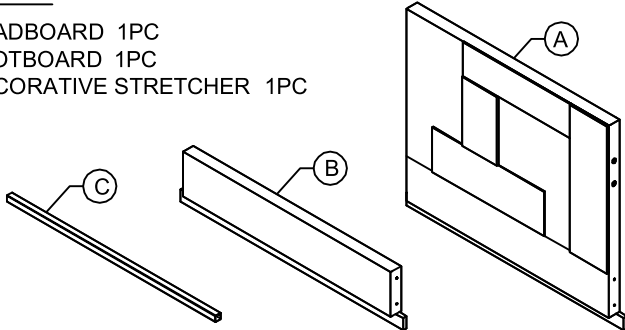


DESTINATION KING / CAL KING POSTER BED ASSEMBLY INSTRUCTIONS



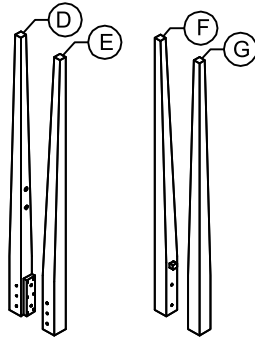
BOX #1

- A. HEADBOARD 1PC
- B. FOOTBOARD 1PC
- C. DECORATIVE STRETCHER 1PC



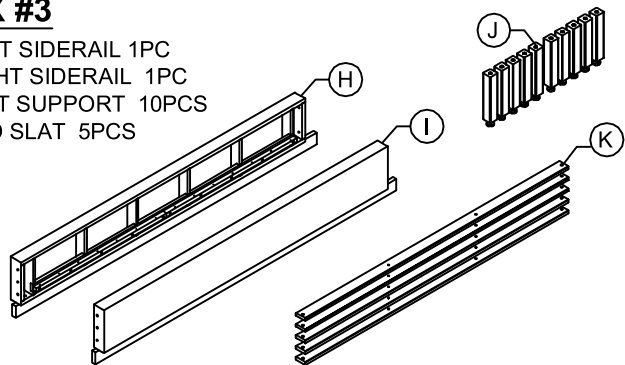
BOX #2

- D. LEFT HEADBOARD POST 1PC
- E. RIGHT HEADBOARD POST 1PC
- F. LEFT FOOTBOARD POST 1PC
- G. RIGHT FOOTBOARD POST 1PC

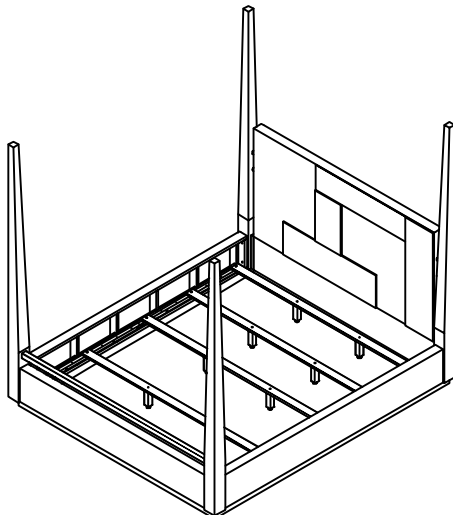


BOX #3

- H. LEFT SIDERAIL 1PC
- I. RIGHT SIDERAIL 1PC
- J. SLAT SUPPORT 10PCS
- K. BED SLAT 5PCS



ASSEMBLY COMPLETE



UPDATED : JANUARY 22ND, 2020

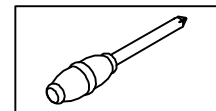
HARDWARE BOX #1

1	ALLEN BOLT (M8X50)		8 PCS
2	SPRING WASHER (M8)		8 PCS
3	FLAT WASHER (M8)		8 PCS
4	ALLEN KEY		1 PC
5	ALLEN BOLT (M6X100)		4 PCS
6	SPRING WASHER (M6)		4 PCS
7	FLAT WASHER (M6)		4 PCS
8	DECORATIVE SPACER (Ø25X60)		4 PCS
9	PAN HEAD SCREW (Ø8X12)		2 PCS

HARDWARE BOX #3

10	ALLEN BOLT (M8X50)		8 PCS
11	SPRING WASHER (M8)		8 PCS
12	FLAT WASHER (M8)		8 PCS
13	ALLEN KEY		1 PC
14	ALLEN BOLT (M6X40)		10 PCS
15	WOOD SCREW (Ø8X30)		10 PCS
16	WOOD DOWEL (Ø10X30)		4 PCS

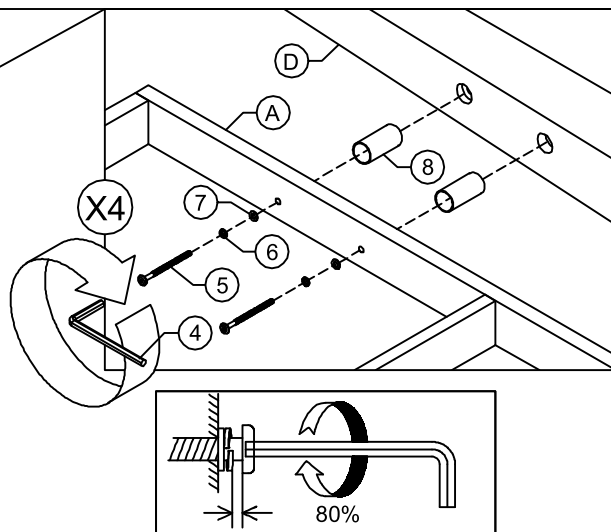
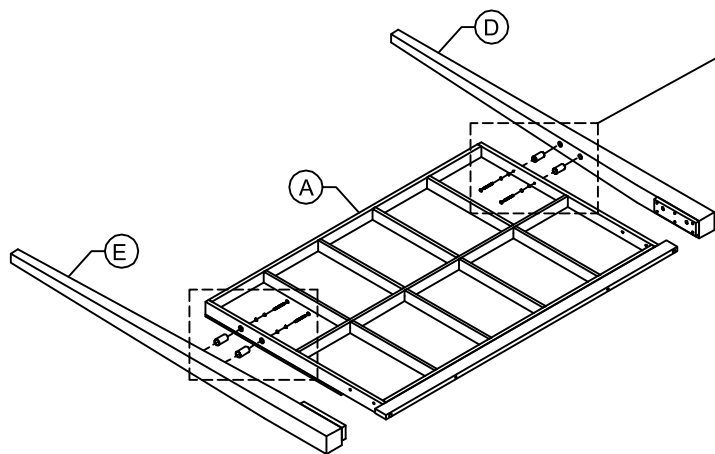
TOOL REQUIRED PHILLIPS
HEAD SCREW DRIVER
(NOT PROVIDED)



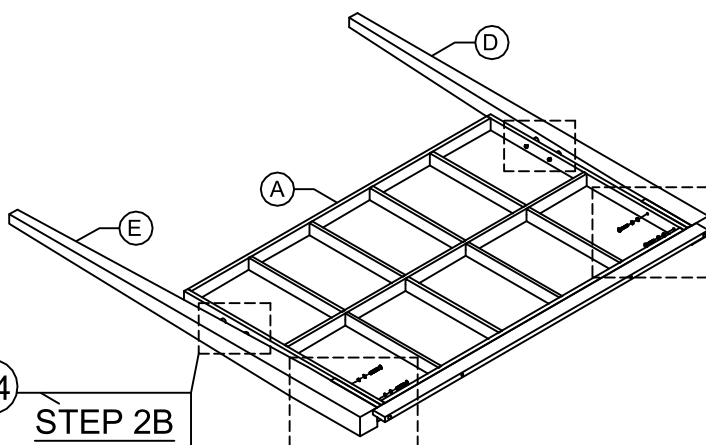
DESTINATION KING / CAL KING POSTER BED ASSEMBLY INSTRUCTIONS



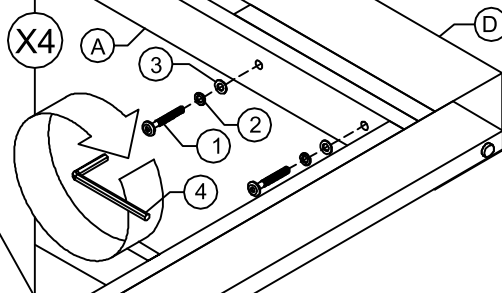
STEP 1 :



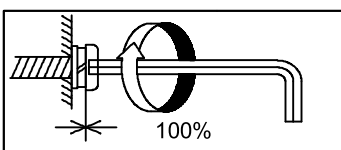
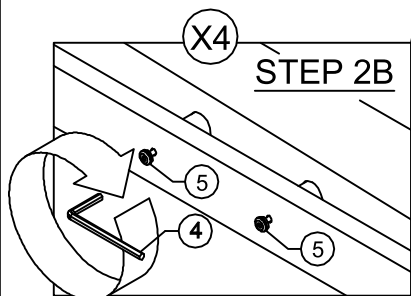
STEP 2 :



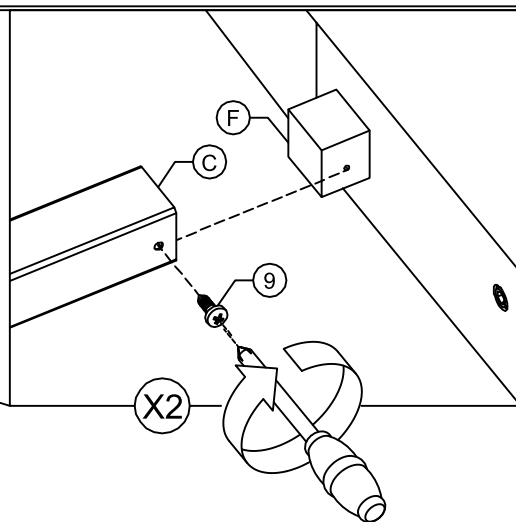
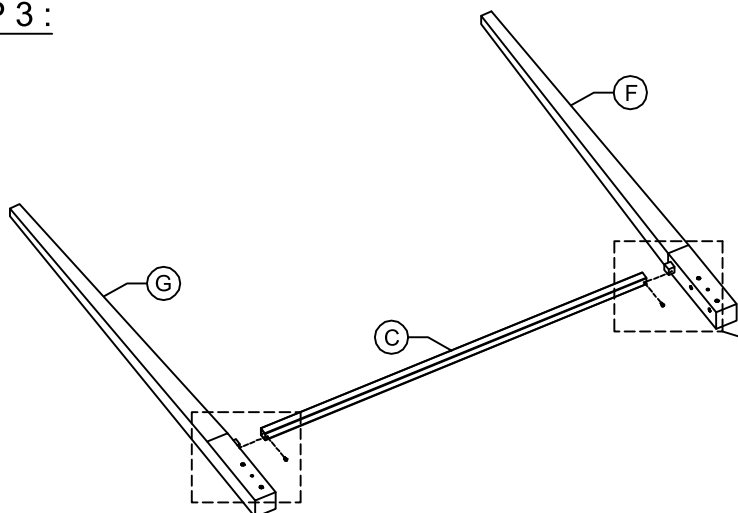
STEP 2A



STEP 2B



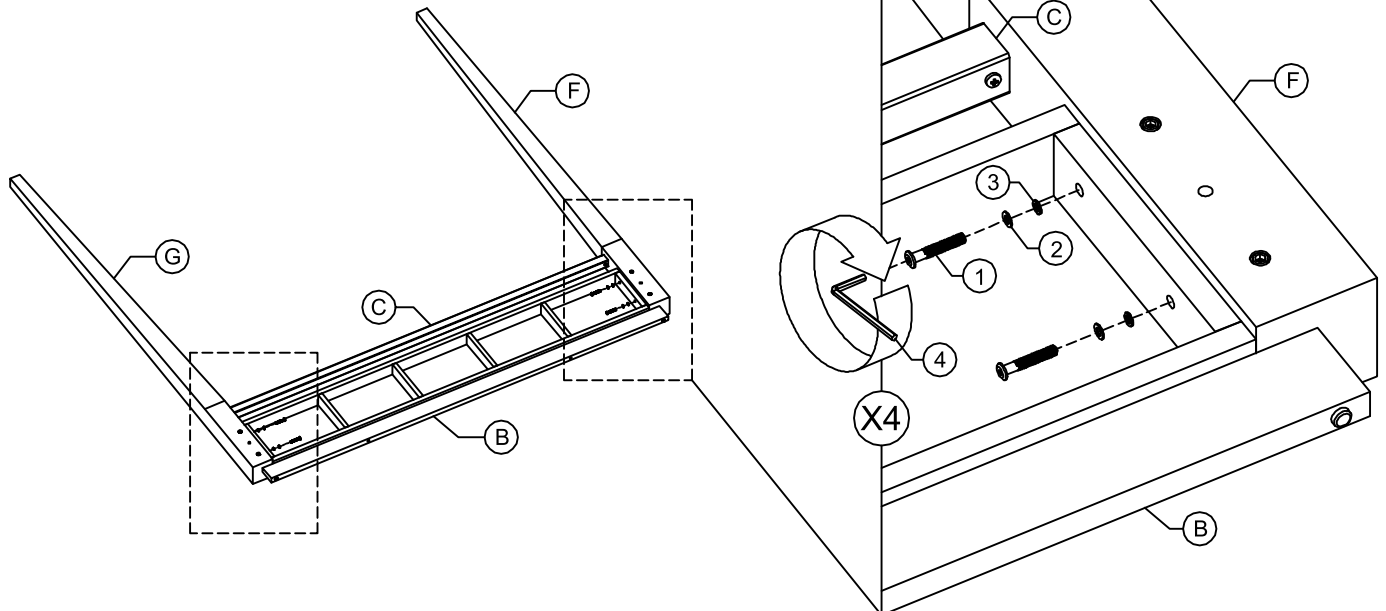
STEP 3 :



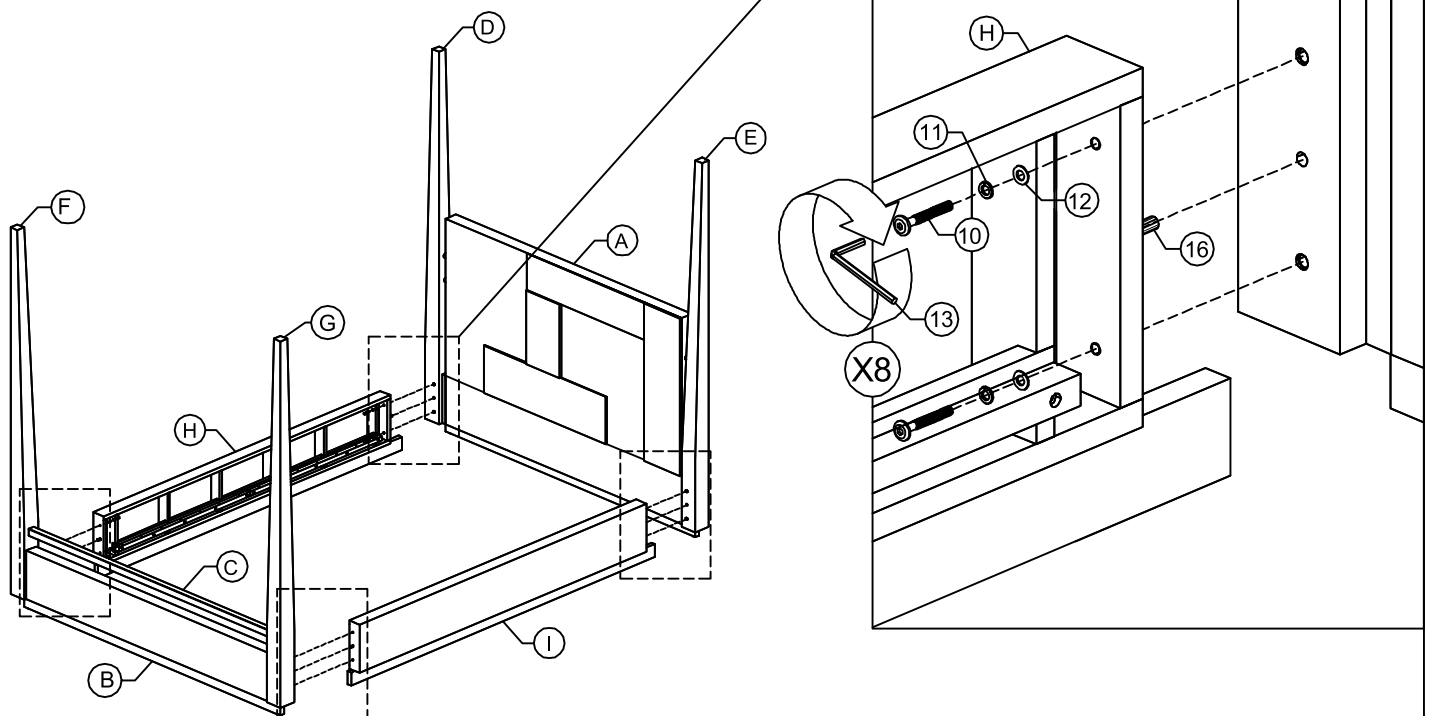
DESTINATION KING / CAL KING POSTER BED ASSEMBLY INSTRUCTIONS



STEP 4 :



STEP 5 :



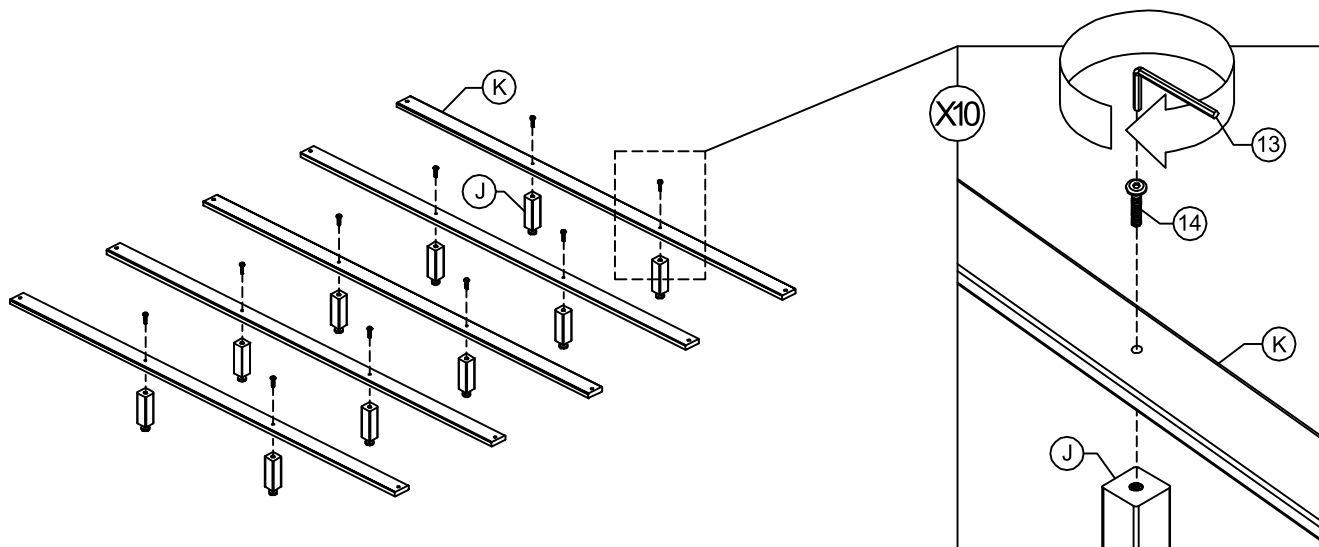
STOP

- IF USING BED FRAME WITH ADJUSTABLE MATTRESS BASE, SKIP TO APPENDIX A: ADJUSTABLE MATTRESS BASE ASSEMBLY SUPPLEMENT.
- IF USING BED FRAME WITH STANDARD BOX SPRING OR FOUNDATION CONTINUE TO STEP 6.

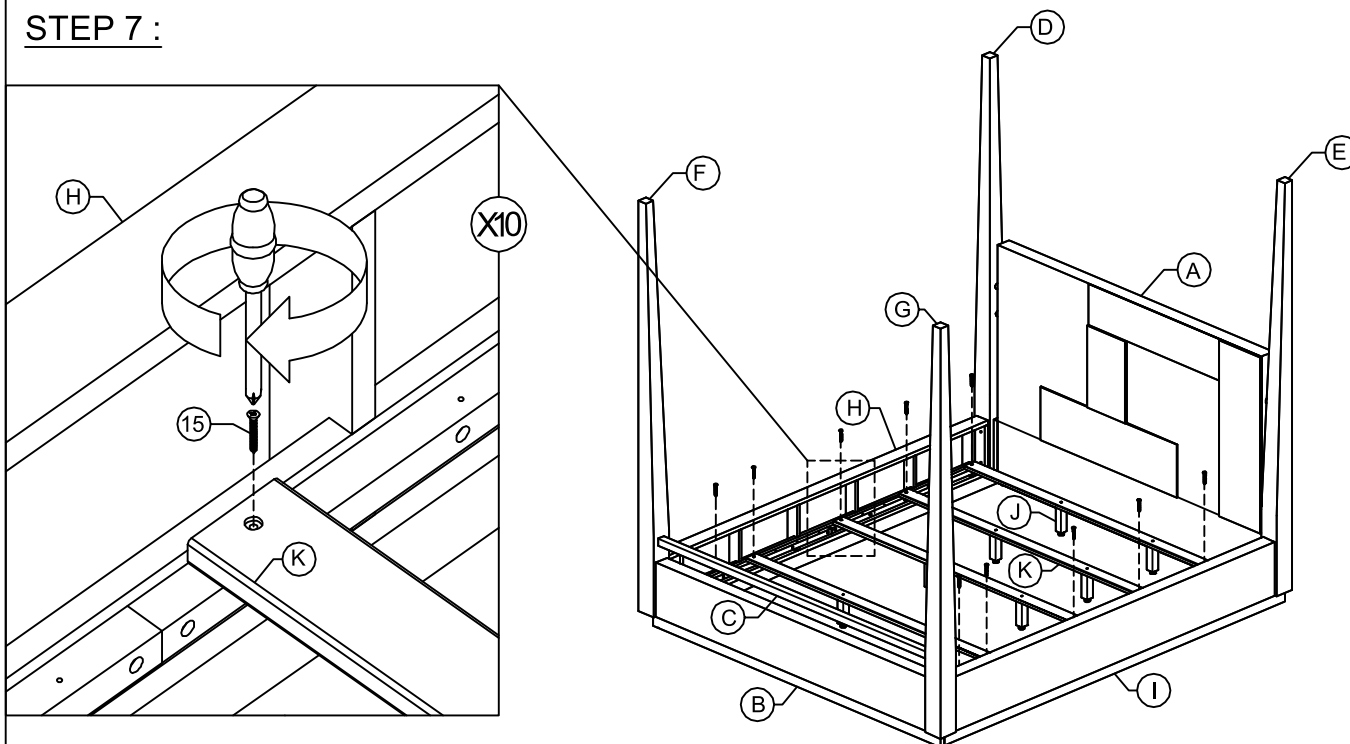
DESTINATION KING / CAL KING POSTER BED ASSEMBLY INSTRUCTIONS



STEP 6 :



STEP 7 :

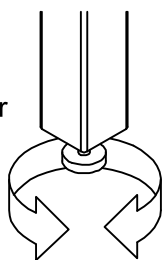


INSTRUCTIONS FOR ADJUSTING LEVELER :

Position the bed in your space and locate the leveler under each slat support (J).

Turn the leveler counter-clockwise to extend the leveler and clockwise to retract it.

Adjust each leveler until each slat support is applying equal, upward pressure on the bed slat support.



MAINTENANCE INSTRUCTION :

- Remove box spring and mattress before moving your bed.
- Lift your bed when moving it. Dragging can damage the slat support.
- Readjust levelers after moving your bed.

DESTINATION KING / CAL KING POSTER BED

APPENDIX A: ADJUSTABLE MATTRESS BASE ASSEMBLY SUPPLEMENT



AN ADJUSTABLE MATTRESS BASE IS A FREESTANDING MATTRESS SUPPORT THAT SITS WITHIN THE PERIMETER OF THE BED FRAME.

IF USING THIS BED FRAME WITH A STANDARD BOX SPRING OR FOUNDATION THESE INSTRUCTIONS DO NOT APPLY.

PRE-ASSEMBLED SIDE RAIL CLEATS OBSTRUCT ADJUSTABLE BASE INSTALLATION AND OPERATION. FOLLOW THESE INSTRUCTIONS TO REMOVE THEM.

THE FOLLOWING PARTS ARE NOT REQUIRED FOR ADJUSTABLE MATTRESS BASE INSTALLATION:

J. SLAT SUPPORT

10 PCS

14. ALLEN BOLT M6X40MM

10 PCS

K. BED SLAT

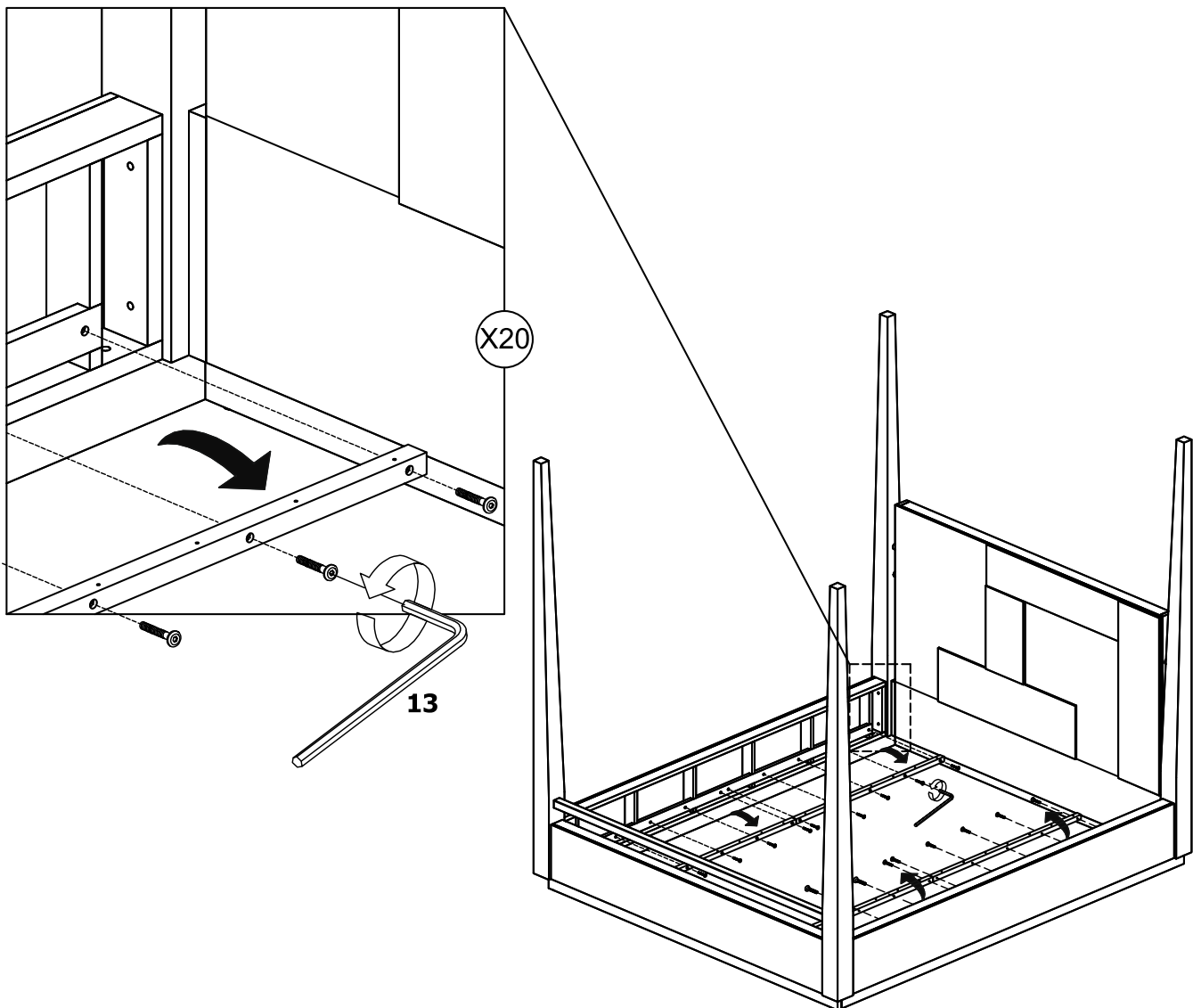
5 PCS

15. WOOD SCREW Ø8X30MM

10 PCS

STEP 1 :

USE ALLEN KEY (13) TO UNSCREW ALLEN BOLTS AND REMOVE PRE-ASSEMBLED SIDE RAIL CLEATS.



NOTE: YOU MAY WISH TO RETAIN UNUSED PARTS IF IN THE FUTURE YOU INTEND TO USE THE BED FRAME WITH A STANDARD BOX SPRING OR FOUNDATION.

UPDATED : JANUARY 22ND, 2020