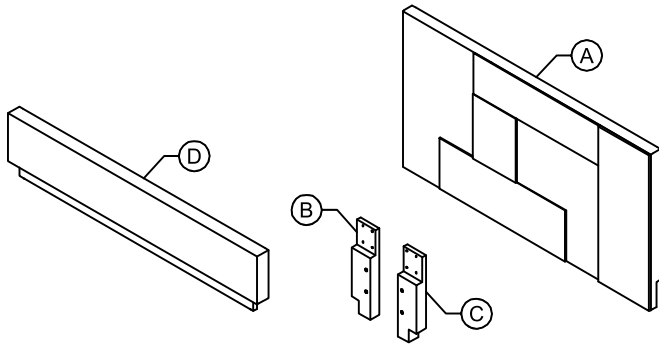


# DESTINATION KING / CAL KING PANEL BED ASSEMBLY INSTRUCTIONS



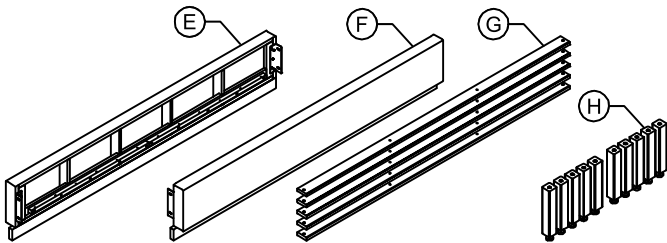
## BOX #1

- A. HEADBOARD 1PC
- B. LEFT HEADBOARD LEG 1PC
- C. RIGHT HEADBOARD LEG 1PC
- D. FOOTBOARD 1PC



## BOX #2

- E. LEFT SIDERAIL 1PC
- F. RIGHT SIDERAIL 1PC
- G. BED SLAT 5PCS
- H. SLAT SUPPORT 10PCS



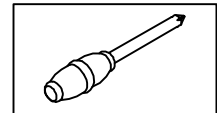
## HARDWARE BOX #1

1	ALLEN BOLT (M6X40)		8 PCS
2	SPRING WASHER (M6)		8 PCS
3	FLAT WASHER (M6)		8 PCS
4	ALLEN KEY		1 PC

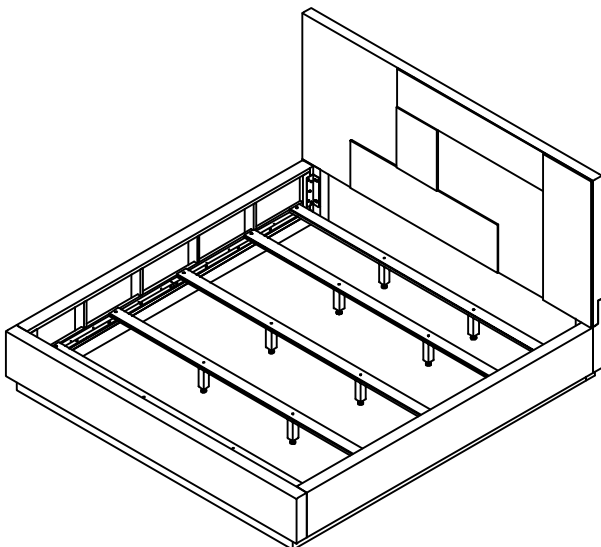
## HARDWARE BOX #2

5	ALLEN BOLT (M8X25)		8 PCS
6	FLAT WASHER (M8)		8 PCS
7	WOOD SCREW (Ø8X30)		10 PCS
8	ALLEN BOLT (M6X40)		10 PCS
9	ALLEN KEY		1 PC

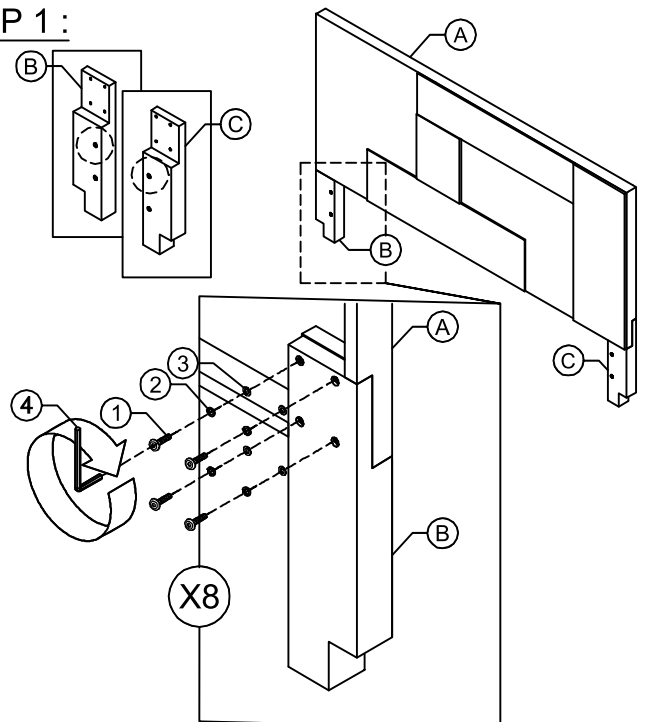
TOOL REQUIRED PHILLIPS  
HEAD SCREW DRIVER  
(NOT PROVIDED)



## ASSEMBLY COMPLETE



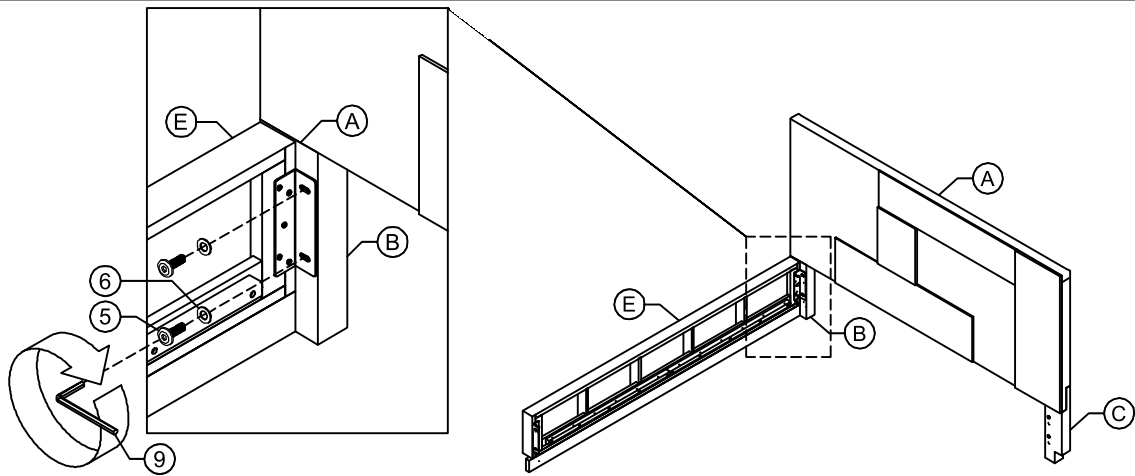
## STEP 1 :



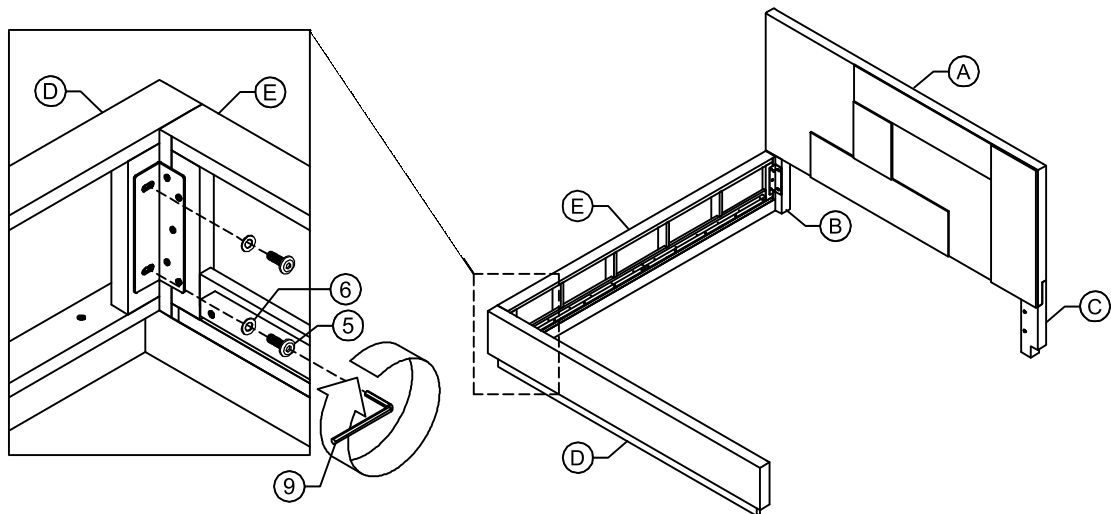
# DESTINATION KING / CAL KING PANEL BED ASSEMBLY INSTRUCTIONS



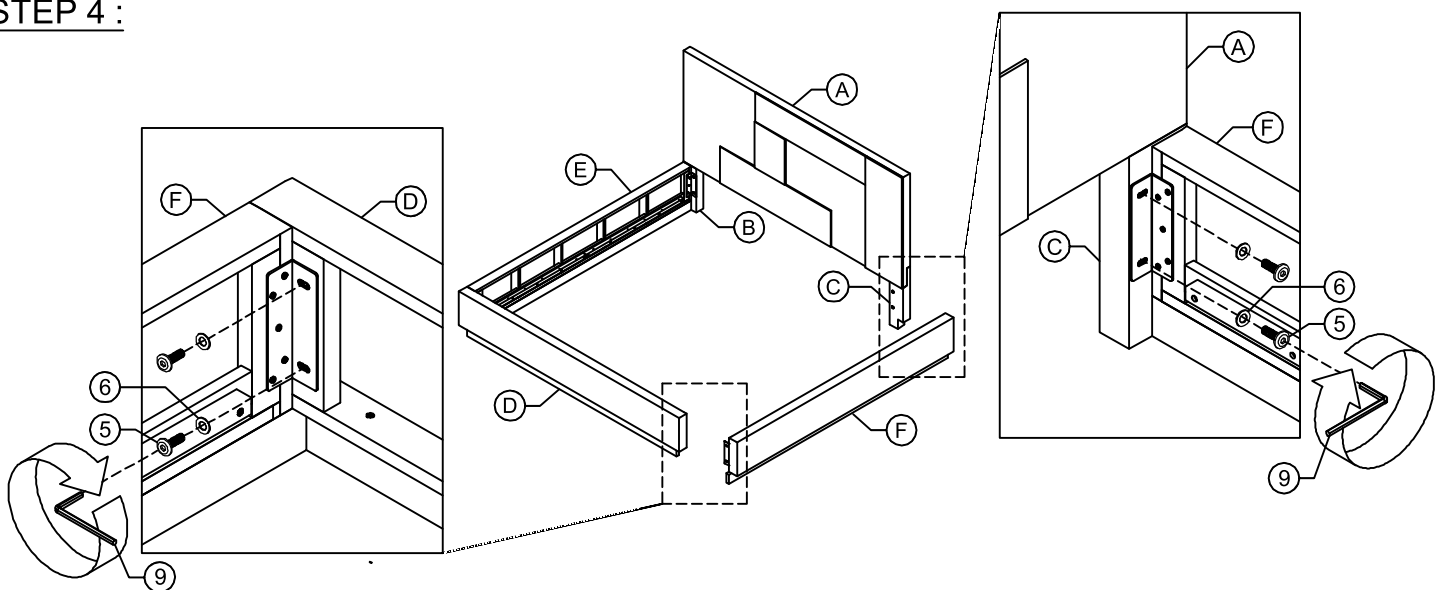
## STEP 2 :



## STEP 3 :



## STEP 4 :



### STOP

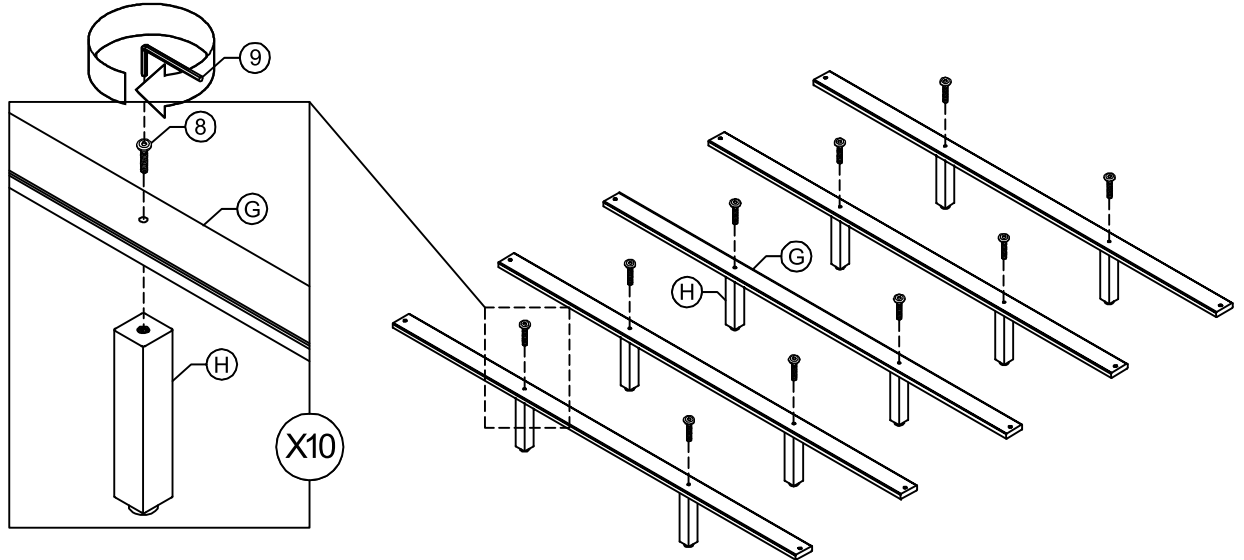
- IF USING BED FRAME WITH ADJUSTABLE MATTRESS BASE, SKIP TO APPENDIX A: ADJUSTABLE MATTRESS BASE ASSEMBLY SUPPLEMENT.
- IF USING BED FRAME WITH STANDARD BOX SPRING OR FOUNDATION CONTINUE TO STEP 5.

UPDATED : JANUARY 22ND, 2020

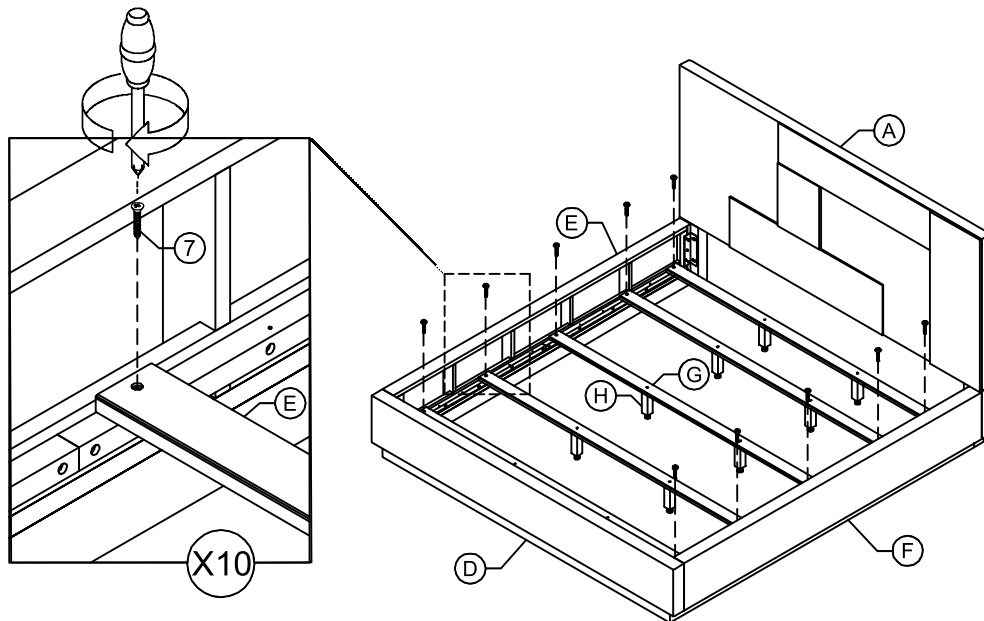
# DESTINATION KING / CAL KING PANEL BED ASSEMBLY INSTRUCTIONS



## STEP 5 :



## STEP 6 :

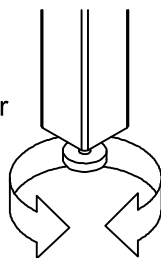


## INSTRUCTIONS FOR ADJUSTING LEVELER :

Position the bed in your space and locate the leveler under each leg support (H).

Turn the leveler counter-clockwise to extend the leveler and clockwise to retract it.

Adjust each leveler until each slat support is applying equal, upward pressure on the bed slat support .



## MAINTENANCE INSTRUCTION :

- Remove box spring and mattress before moving your bed.
- Lift your bed when moving it. Dragging can damage the leg support.
- Readjust levelers after moving your bed.

# DESTINATION KING / CAL KING PANEL BED

## ASSEMBLY INSTRUCTIONS

### APPENDIX A: ADJUSTABLE MATTRESS BASE ASSEMBLY SUPPLEMENT



AN ADJUSTABLE MATTRESS BASE IS A FREESTANDING MATTRESS SUPPORT THAT SITS WITHIN THE PERIMETER OF THE BED FRAME.

IF USING THIS BED FRAME WITH A STANDARD BOX SPRING OR FOUNDATION THESE INSTRUCTIONS DO NOT APPLY.

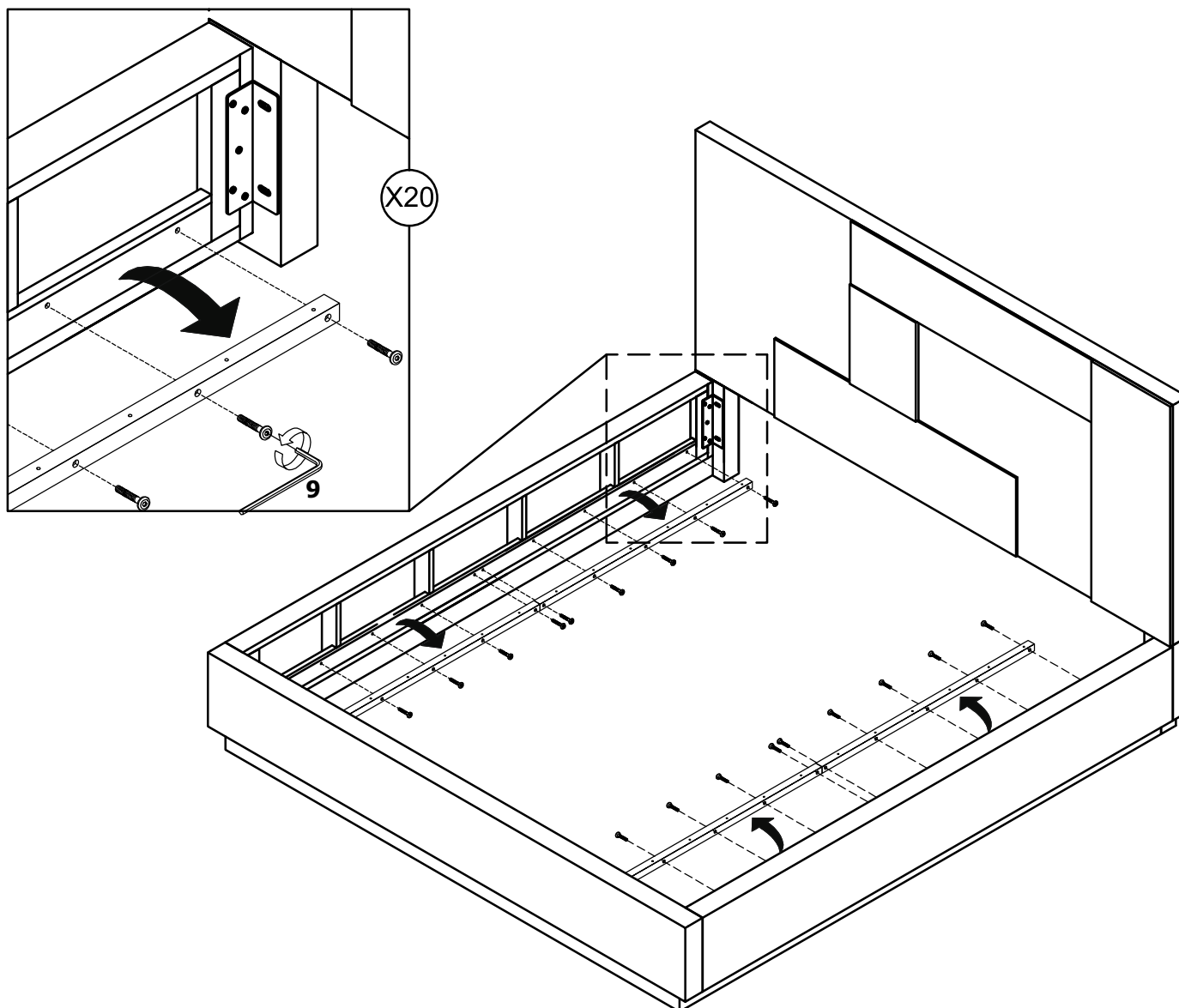
PRE-ASSEMBLED SIDE RAIL CLEATS OBSTRUCT ADJUSTABLE BASE INSTALLATION AND OPERATION. FOLLOW THESE INSTRUCTIONS TO REMOVE THEM.

#### THE FOLLOWING PARTS ARE NOT REQUIRED FOR ADJUSTABLE MATTRESS BASE INSTALLATION:

G. BED SLAT	5 PCS	7. WOOD SCREW Ø8X30MM	10 PCS
H. SLAT SUPPORT	10 PCS	8. ALLEN BOLT 40MM	10 PCS

#### STEP 1 :

USE ALLEN KEY (9) TO UNSCREW ALLEN BOLTS AND REMOVE PRE-ASSEMBLED SIDE RAIL CLEATS.



NOTE: YOU MAY WISH TO RETAIN UNUSED PARTS IF IN THE FUTURE YOU INTEND TO USE THE BED FRAME WITH A STANDARD BOX SPRING OR FOUNDATION.

UPDATED : JANUARY 22ND, 2020