



LIVING SPACES

BOX OF HEADBOARD (BOX 1)

1	PB5612-55H		X1
2	PB5612-55H-HL1		X1
3	PB5612-55H-HL2		X1
4	PB5612-55H-MP		X2
5	PB5612-55SR		X1
E	PB5612-55HD1		X12
F	PB5612-55HD1		X12
G	PB5612-55HD1		X12
H	PB5612-55HD1		X1

BOX OF SIDE RAIL (BOX 2)

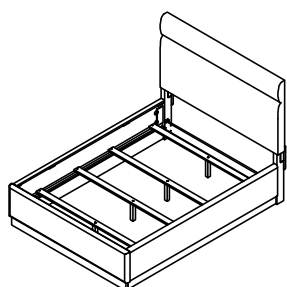
7	PB5612-55R		X2
A	PB5612-55R-HD		X8
B	PB5612-55R-HD		X8
C	PB5612-55R-HD		X8
D	PB5612-55R-HD		X1

BOX OF FOOTBOARD, SLATS & SUPPORT LEG (BOX 3)

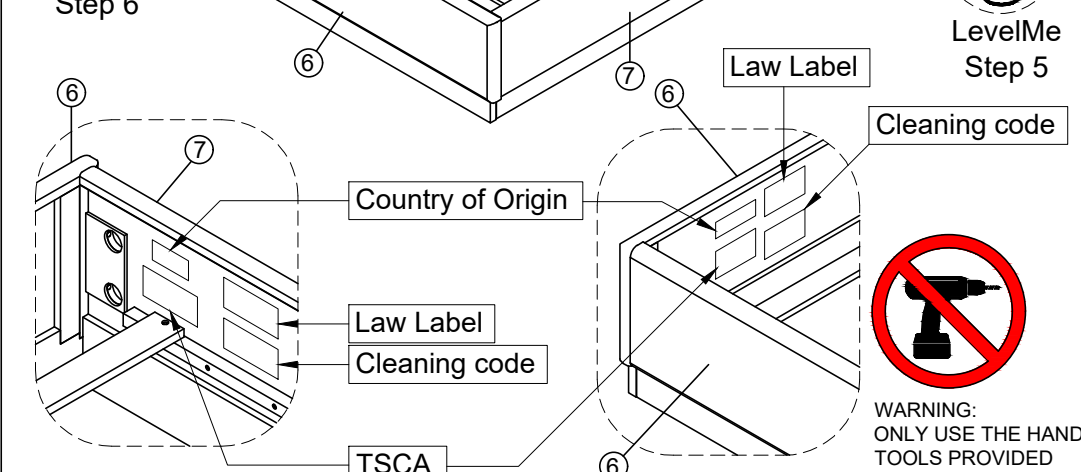
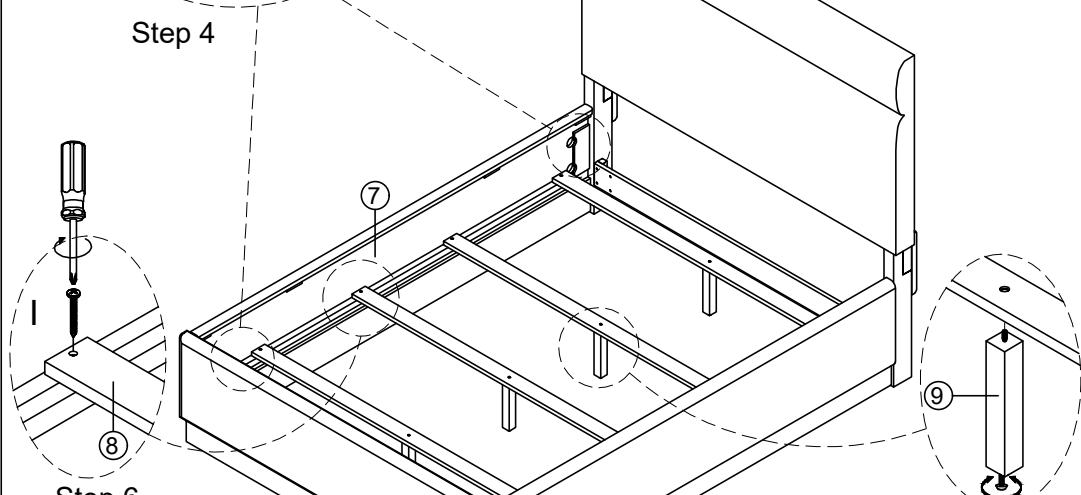
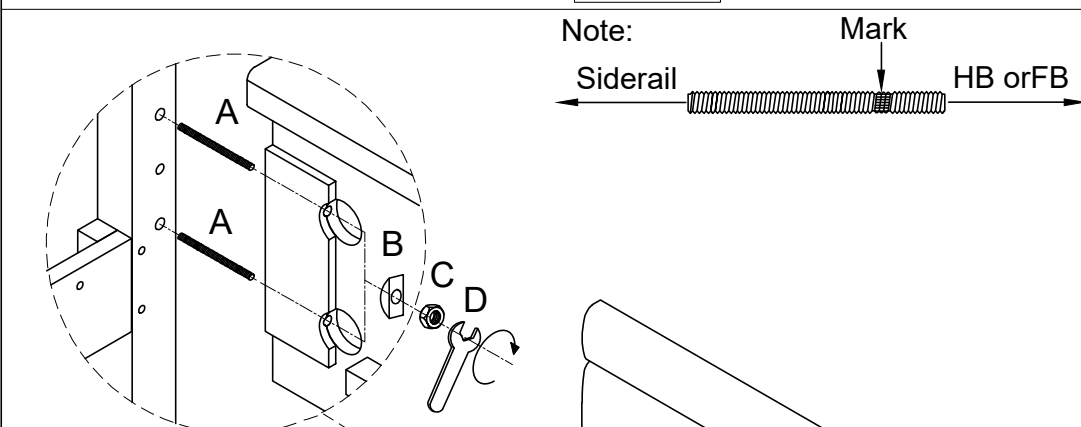
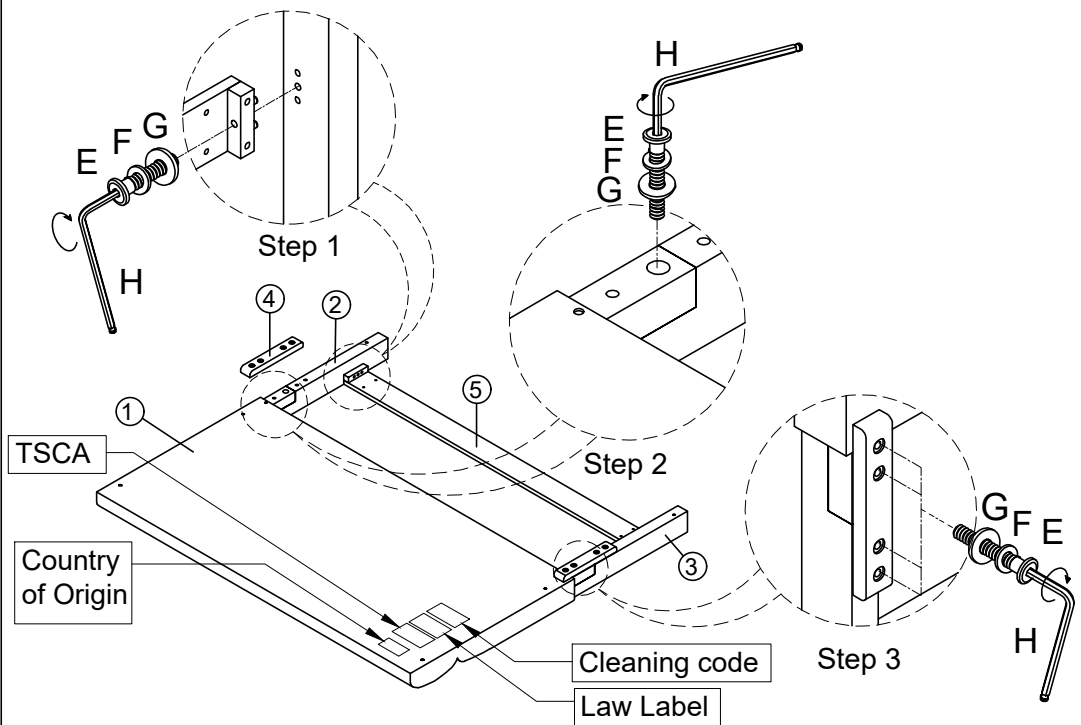
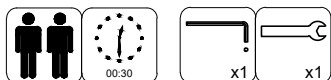
6	PB5612-55F		X1
8	PB5612-55SL		X4
9	PB5612-54F-SS		X4
I	P99-00SR		X8

TOOLS REQUIRED (NOT PROVIDED):
PHILLIPS SCREW DRIVER

AYDEN



329957 / B5612-55
 QUEEN UPHOLSTERED PANEL BED



Note: Mark Siderail HB orFB



WARNING:
 ONLY USE THE HAND TOOLS PROVIDED