



LIVING SPACES

BOX OF HEADBOARD (BOX 1)

1	PB5612-67H		X1
2	PB5612-67H-HL1		X1
3	PB5612-67H-HL2		X1
4	PB5612-55H-MP		X2
5	PB5612-65SR		X1
E	PB5612-57HD1		X12
F	PB5612-57HD1		X12
G	PB5612-57HD1		X12
H	PB5612-57HD1		X1

BOX OF SIDE RAIL (BOX 2)

7	PB5612-74R		X2
10	PB5612-74R-CL		X2
11	PB5612-74R-CB		X8
A	PB5612-74R-HD		X8
B	PB5612-74R-HD		X8
C	PB5612-74R-HD		X8
D	PB5612-74R-HD		X1
I	P99-00SR		X16
J	PB5612-74R-HD		X8
K	PB5612-74R-HD		X8
L	PB5612-74R-HD		X8

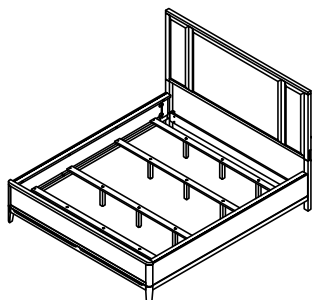
BOX OF FOOTBOARD, SLATS & SUPPORT LEG (BOX 3)

6	PB5612-64F		X1
8	PB5612-64F-SL		X4
9	PB5612-64F-SS		X12
I	P99-00SR		X8

TOOLS REQUIRED (NOT PROVIDED):

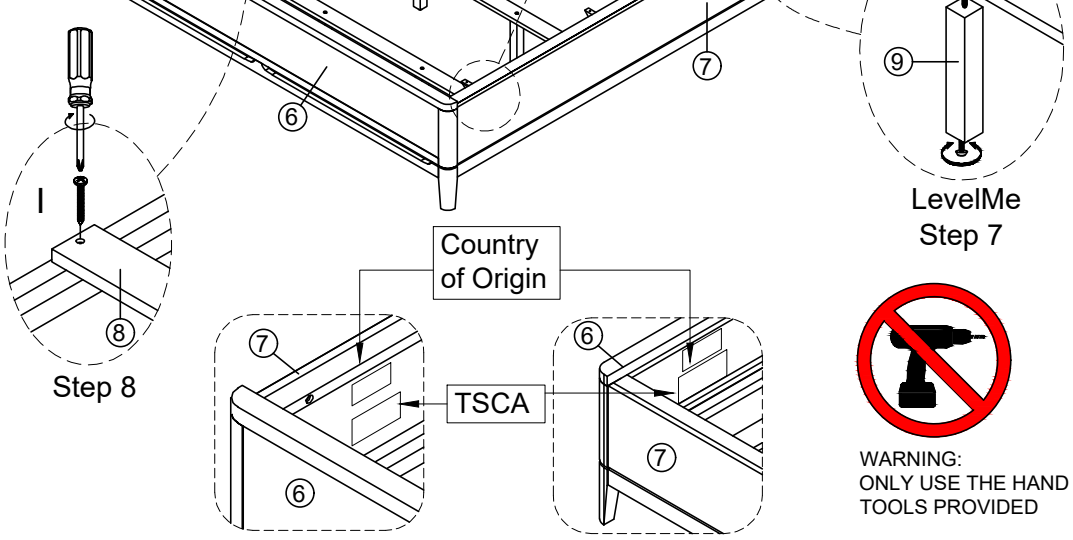
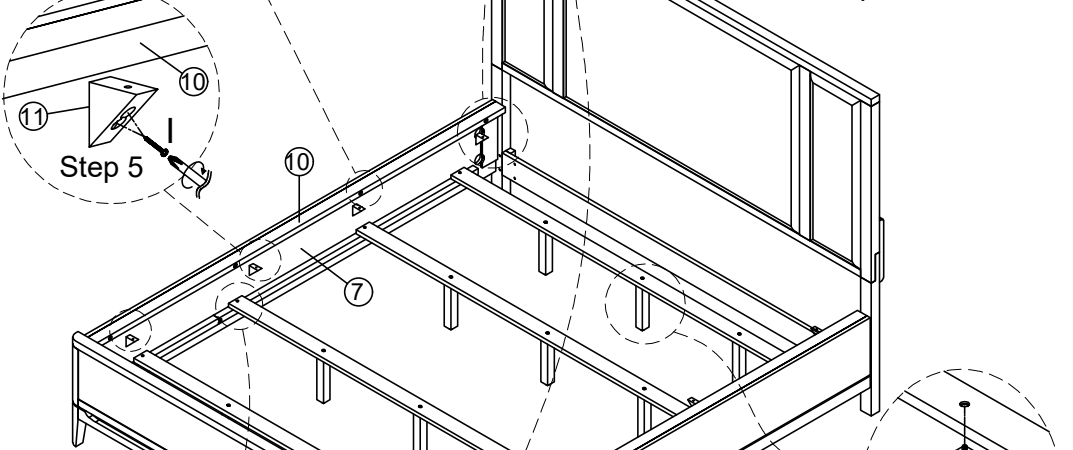
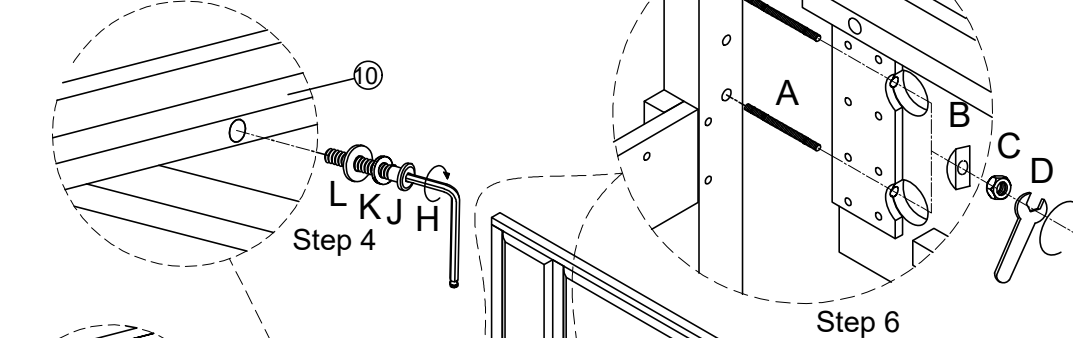
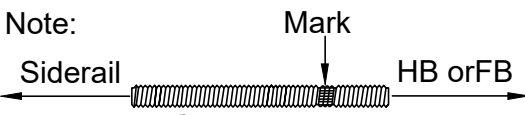
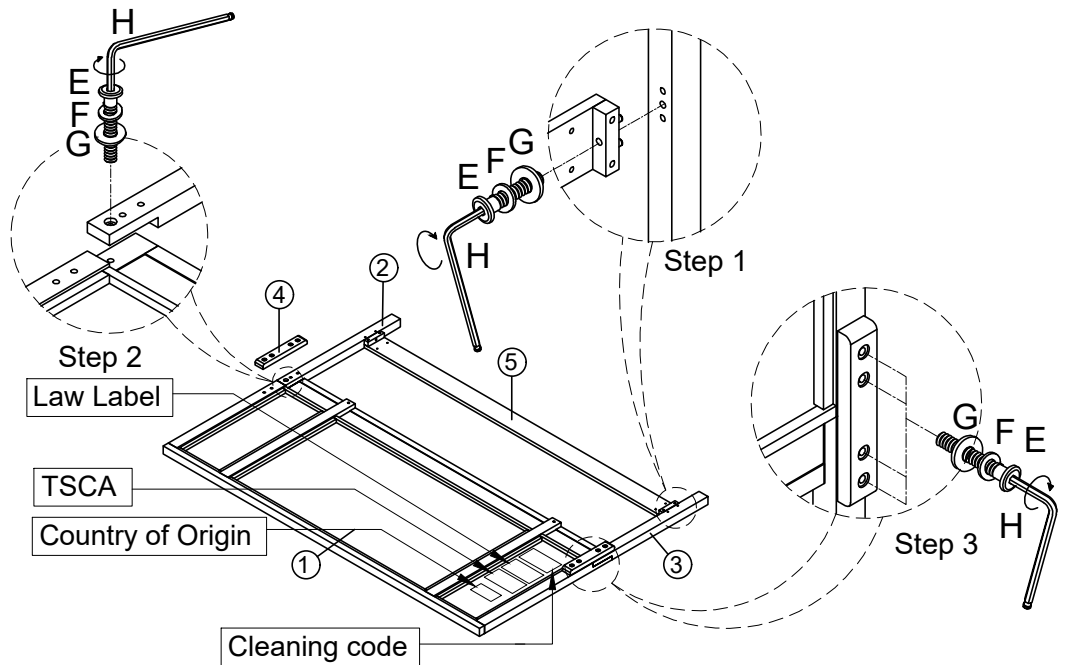
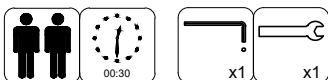
PHILLIPS SCREW DRIVER

AYDEN



329956 / B5612-77

CALIFORNIA KING PANEL BED



WARNING:
ONLY USE THE HAND
TOOLS PROVIDED