



LIVING SPACES

| | | | |
|---|----------------|-----------------------------------|----|
| 1 | PB5611-13WHTB | | X1 |
| 2 | PB5611-01WHLG1 | | X2 |
| 3 | PB5611-01WHLG2 | | X2 |
| 4 | PB5611-13WH-CL | | X1 |
| 5 | P99-00R1 | | X1 |
| A | PB5611-01WH-HD | 5/16" DIAMETER X 3/4" X 1/16" | X4 |
| B | PB5611-01WH-HD | 5/16" DIAMETER X 1/2" X 1/16" | X4 |
| C | PB5611-01WH-HD | 5/16" DIAMETER X 2" LENGTH | X4 |
| D | PB5611-01WH-HD | 1/2" | X1 |

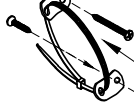
CATHERINE



329933 / B5611-13WH
WHITE WARDROBE

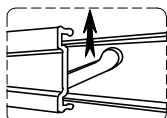


Tip Kit Bracket
Location



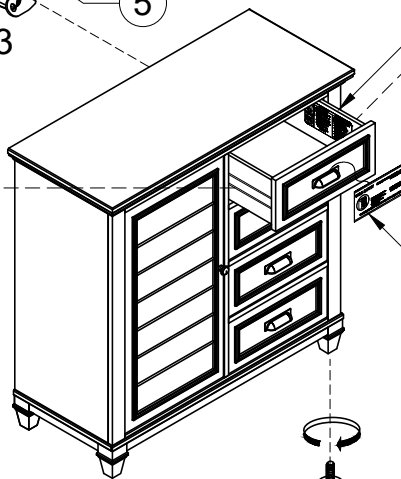
5

Step 3

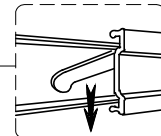


PULL UP
(left side)

STANDARD STEP
TO REMOVE
DRAWER



Warning Label



PULL DOWN
(right side)

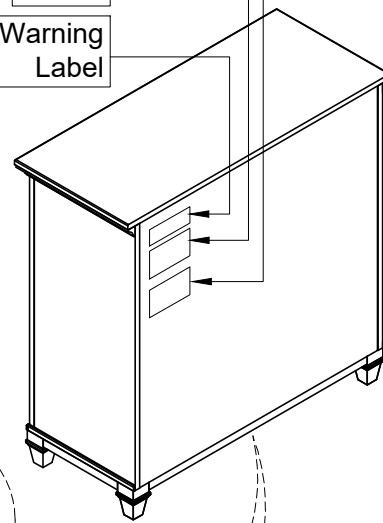
STANDARD STEP
TO REMOVE
DRAWER

Child Label

Country
of Origin

TSCA

Warning
Label



D



C



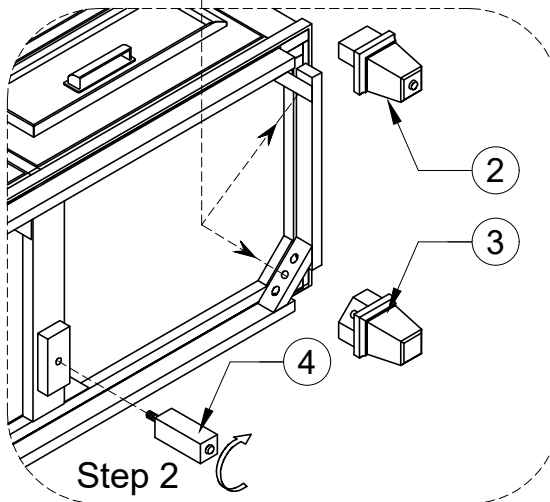
B



A



Step 1



Step 2



WARNING:
ONLY USE THE HAND
TOOLS PROVIDED

ASSEMBLY COMPLETED