

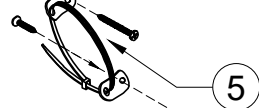


LIVING SPACES

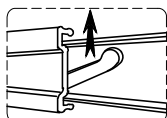
1	PB5611-13GYTB		X1
2	PB5611-01GYLG1		X2
3	PB5611-01GYLG2		X2
4	PB5611-13GY-CL		X1
5	P99-00R1		X1
A	PB5611-01GY-HD		X4
B	PB5611-01GY-HD		X4
C	PB5611-01GY-HD		X4
D	PB5611-01GY-HD		X1

CATHERINE

Tip Kit Bracket Location



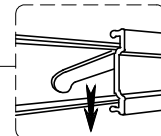
Step 3



PULL UP
(left side)

STANDARD STEP
TO REMOVE
DRAWER

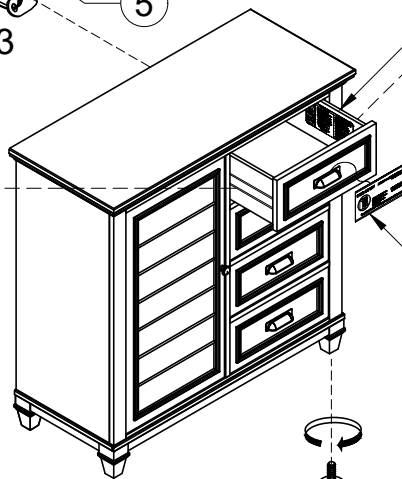
Warning Label



PULL DOWN
(right side)

STANDARD STEP
TO REMOVE
DRAWER

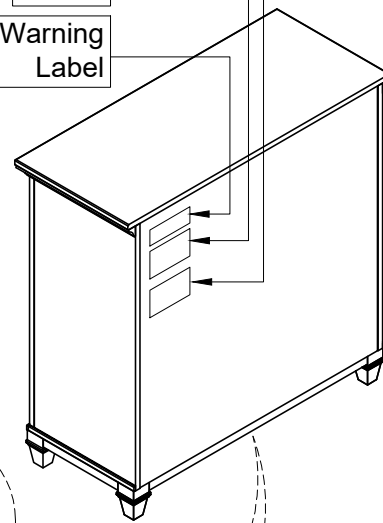
Child Label



Country of Origin

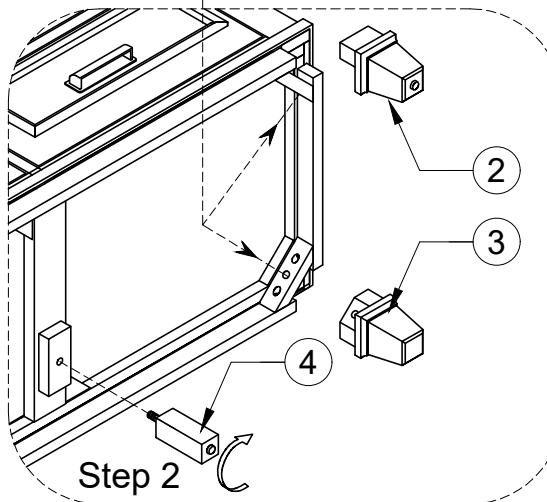
TSCA

Warning Label

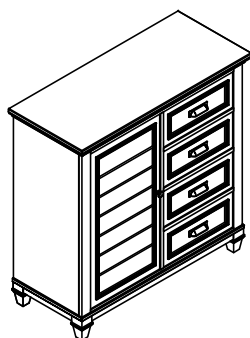


- D
- C
- B
- A

Step 1



Step 2



329932 / B5611-13GY
GREY WARDROBE



x1



WARNING:
ONLY USE THE HAND
TOOLS PROVIDED

ASSEMBLY COMPLETED