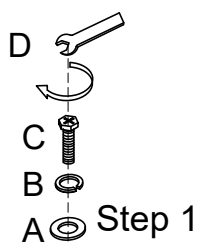
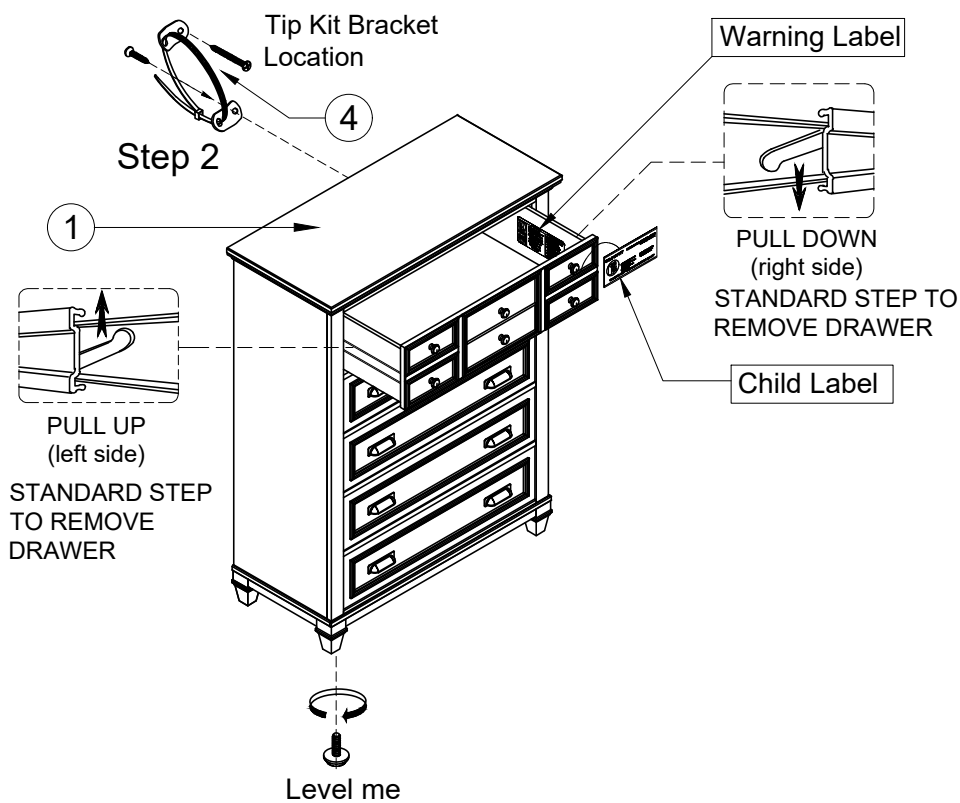




LIVING SPACES

1	PB5611-10GYTB		X1
2	PB5611-01GYLG1		X2
3	PB5611-01GYLG2		X2
4	P99-00R1		X1
A	PB5611-01GY-HD	5/16" DIAMETER X 3/4" X 1/16"	X4
B	PB5611-01GY-HD	5/16" DIAMETER X 1/2" X 1/16"	X4
C	PB5611-01GY-HD	5/16" DIAMETER X 2" LENGTH	X4
D	PB5611-01GY-HD	1/2"	X1

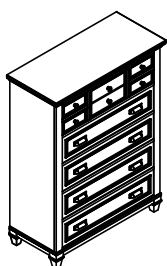
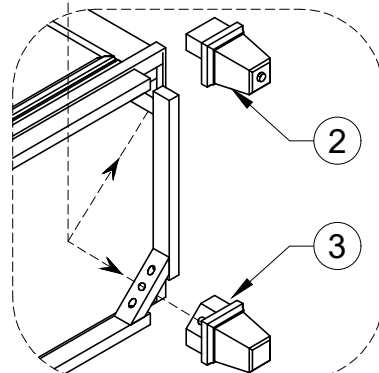
CATHERINE



Country of Origin

TSCA

Warning Label



329931 / B5611-10GY
GREY 5 DRAWER CHEST



WARNING:
ONLY USE THE HAND
TOOLS PROVIDED

ASSEMBLY COMPLETED