

ASSEMBLY INSTRUCTION






2848S-24 OAKLY COUNTER HEIGHT CHAIR








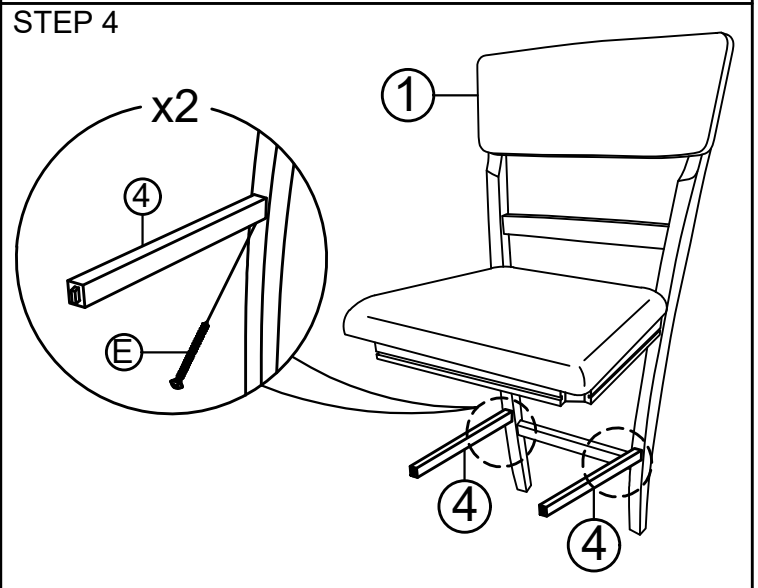
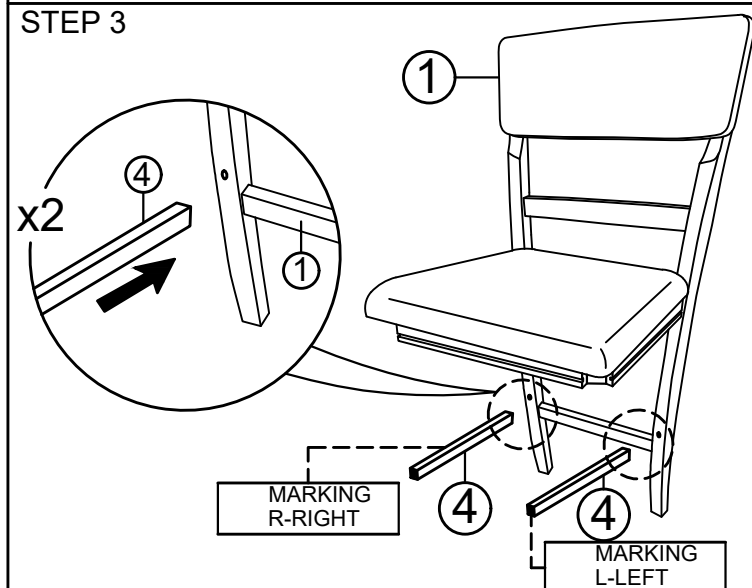
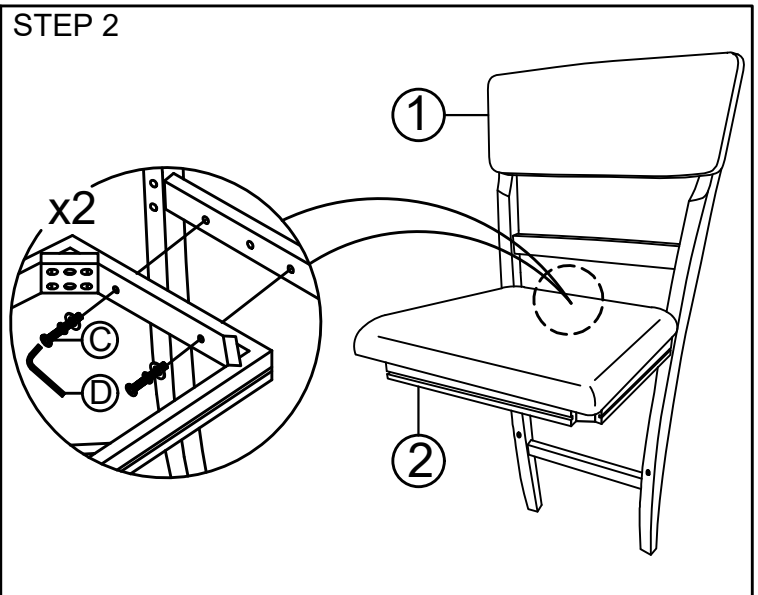
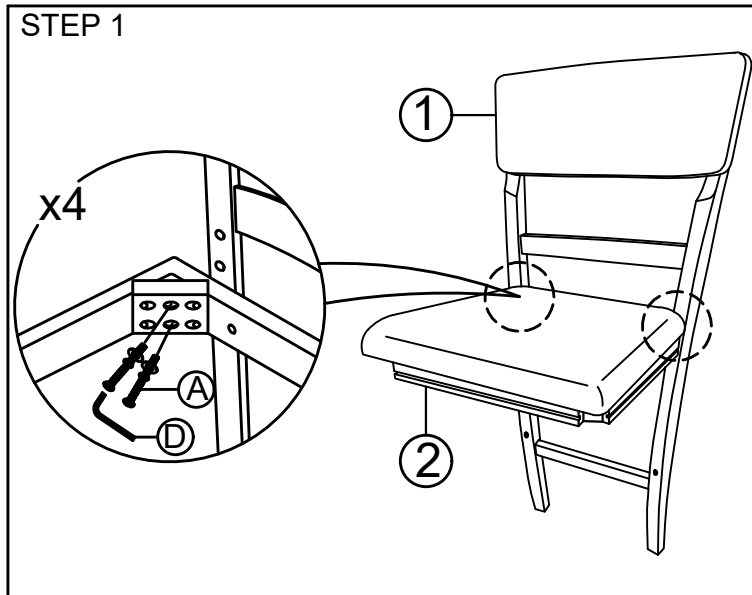
Thank you for purchasing this quality product. Be sure to check all packing material carefully for small parts which may come loose inside the carton during shipment.

Identify and count all parts.

NOTE: ASSEMBLE THE CHAIR ON A FLAT & SOFT SURFACE. DO NOT TIGHTEN ALL THE SCREWS UNTIL THE CHAIR HAS BEEN PUT A FLAT /HARD SURFACE ADJUST & LEVEL ALL THE LEGS SO THAT THEY DO NOT WOBBLE. ONCE ADJUSTED THEN TIGHTEN ALL THE SCREWS.

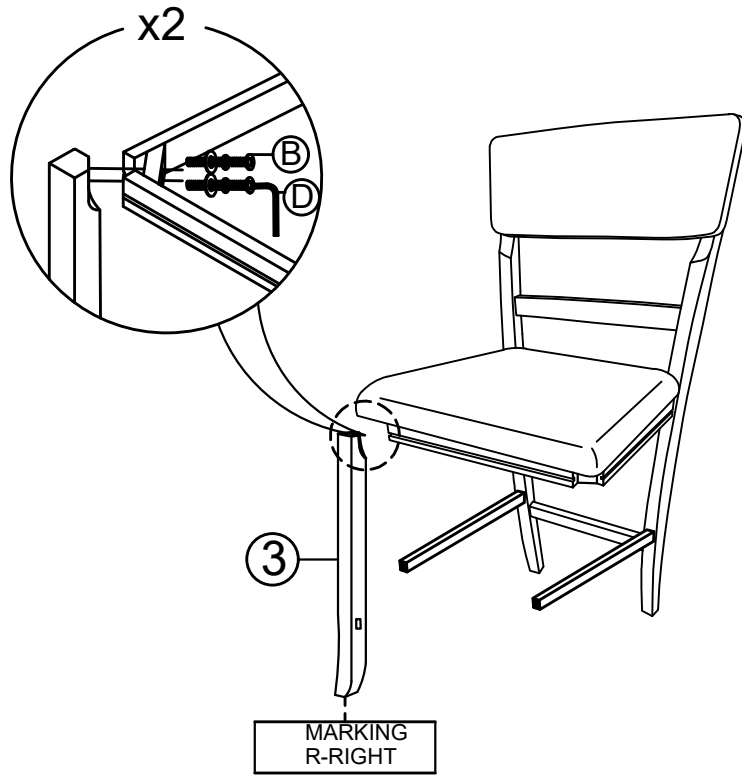
PARTS LIST		
NO	DESCRIPTION	QTY
1	CHAIR FRAME BACK 	1
2	BOX SEAT 	1
3	FRONT LEG (L & R) 	2
4	SIDE STRETCHER (L & R) 	2
5	FRONT STRETCHER 	1

HARDWARE LIST		
NO	DESCRIPTION	QTY
A	JCBC SCREW M6 x 80MM WITH LOCK WASHER & WASHER 	4
B	JCBC SCREW M6 x 60MM WITH LOCK WASHER & WASHER 	4
C	JCBC SCREW M6 x 35MM WITH LOCK WASHER & WASHER 	2
D	ALLEN KEY M4 	1
E	PAN HEAD #8 x 32MM 	6

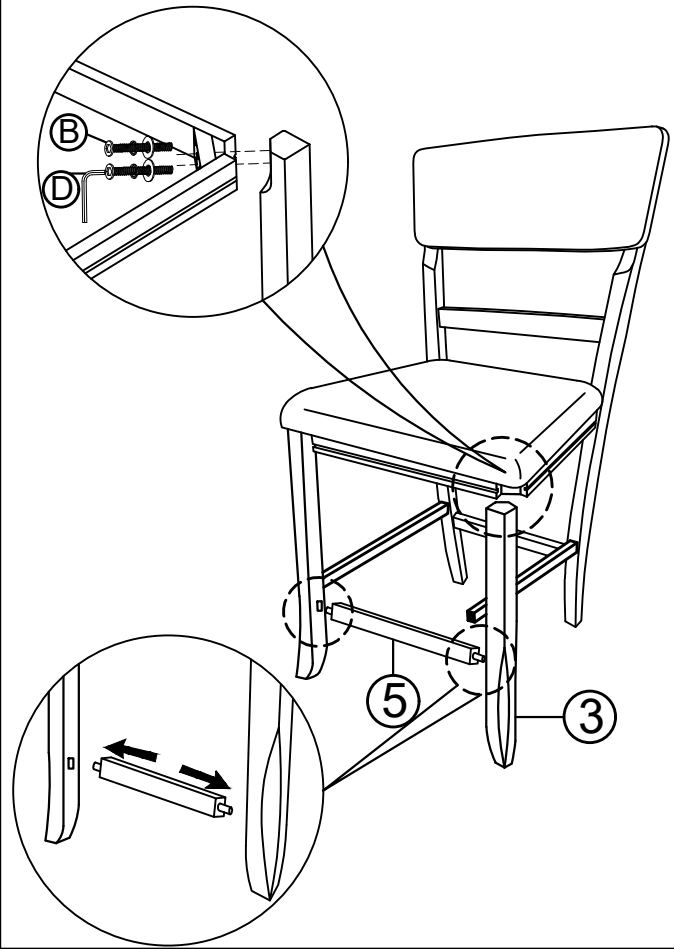


NOTE: TO ENSURE CHAIR DURABLE AND LONG LASTING, PLEASE CHECK ENTIRE CHAIR PART WHETHER IT'S IN SAFE AND ORDINARY CONDITIONS.

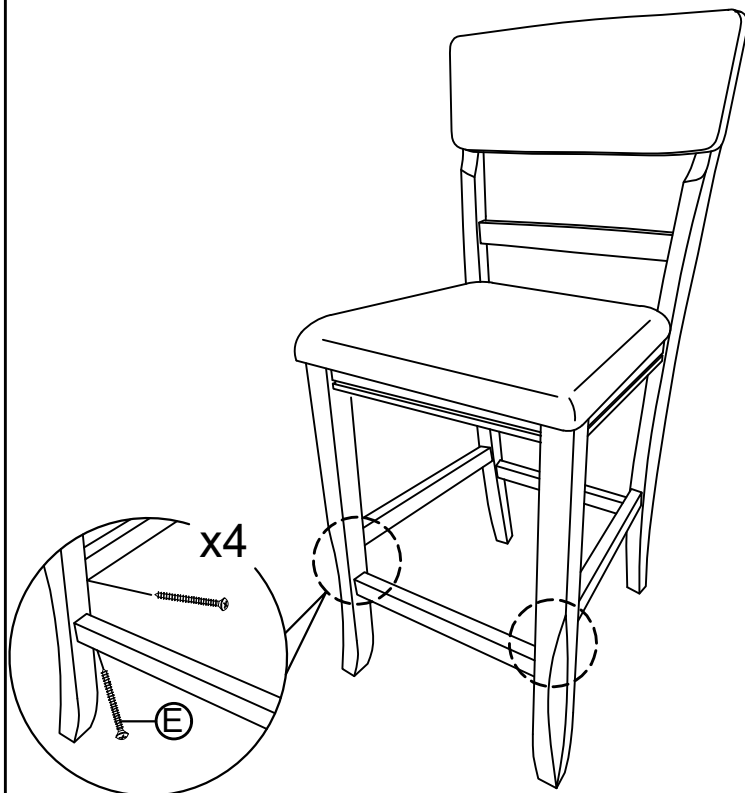
STEP 5



STEP 6



STEP 7



STEP 8

