

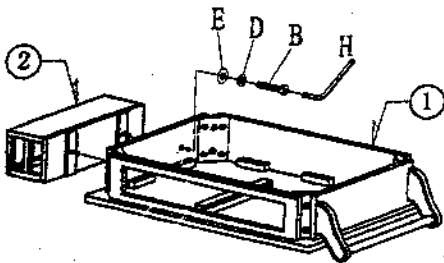
2848

ASSEMBLY INSTRUCTION

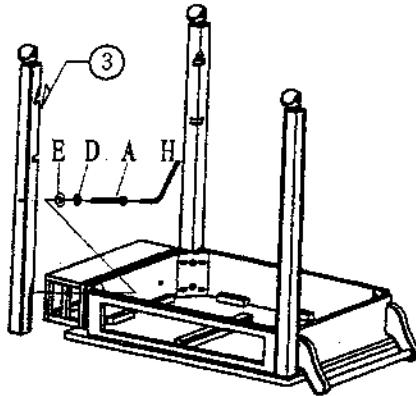


Do not tighten screws until completely Assembled

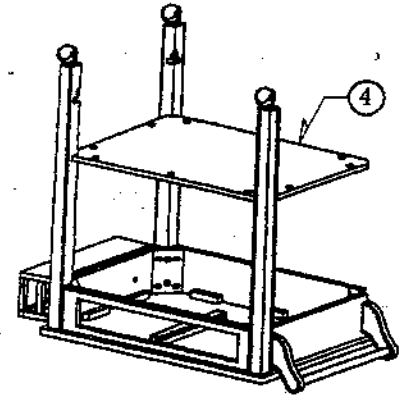
STEP (1)



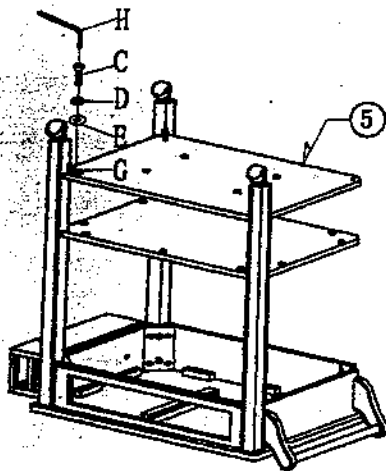
STEP (2)



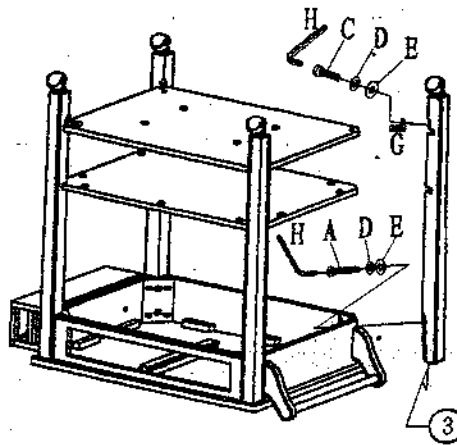
STEP (3)



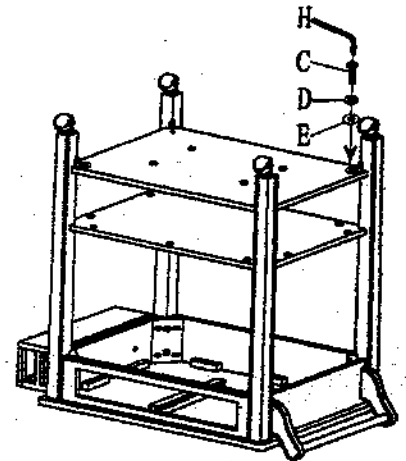
STEP (4)



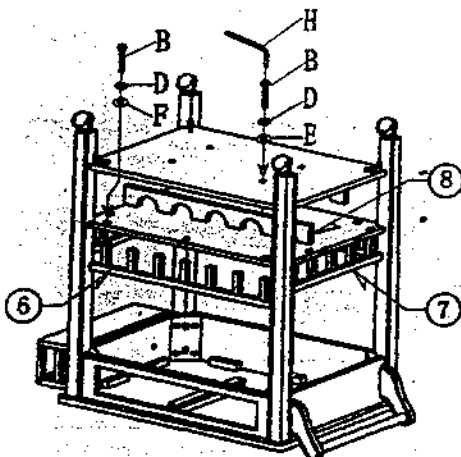
STEP (5)



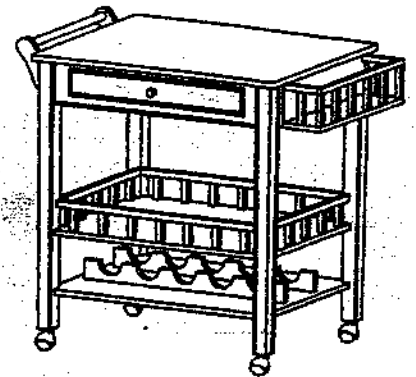
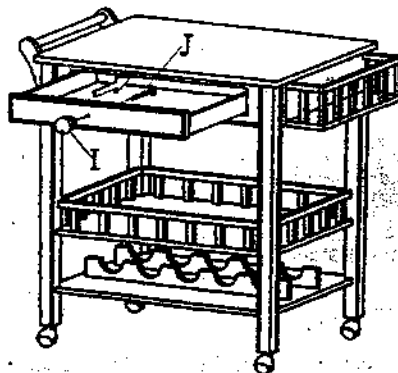
STEP (6)



STEP (7)

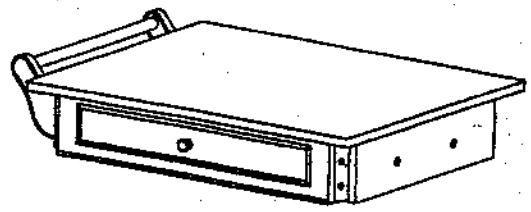
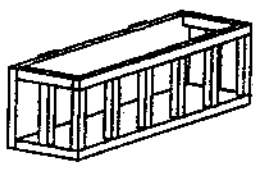
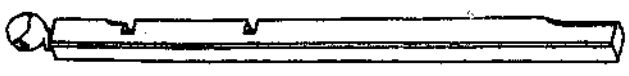
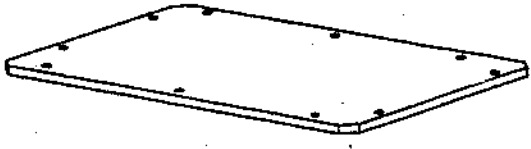
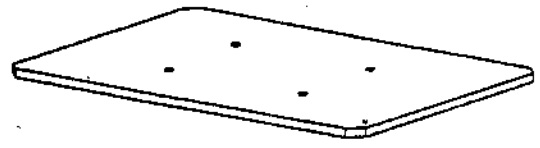
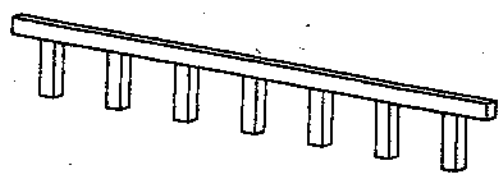
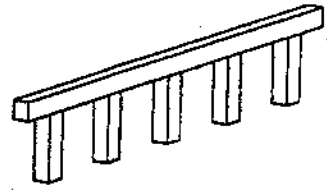



STEP (8)






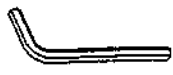






MADE IN CHINA

PARTS LIST

	
<p>① Panel 1pc</p>	<p>② Winebottle-Box 1pc</p>
	
<p>③ Leg 4pcs</p>	<p>④ Shelf 1pc</p>
	
<p>⑤ Motherboard 1pc</p>	<p>⑥ Long Guardrail 2pcs</p>
	
<p>⑦ Short Guardrail 2pcs</p>	<p>⑧ Alcohol-Rack 2pcs</p>

HARDWARE LIST

NO.	Delineation	QTY	NO.	Delineation	QTY
A	 Bolt $\varnothing\frac{1}{4}'' * 2''$	8pcs	F	 Washer $\varnothing\frac{1}{4}'' * \frac{1}{2}''$	10pcs
B	 Bolt $\varnothing\frac{1}{4}'' * 1\frac{1}{4}''$	16pcs	G	 Angle Iron	4pcs
C	 Bolt $\varnothing\frac{1}{4}'' * \frac{1}{2}''$	8pcs	H	 Allen Wrench	1pc
D	 Lock Washer $\varnothing\frac{1}{4}''$	32pcs	I	 Draw-hand	1pc
E	 Washer $\varnothing\frac{1}{4}'' * \frac{5}{8}''$	22pcs	J	 Bolt $\varnothing\frac{5}{32}'' * \frac{7}{8}''$	1pc

ASSEMBLY INSTRUCTION






2848S-24 OAKLY COUNTER HEIGHT CHAIR








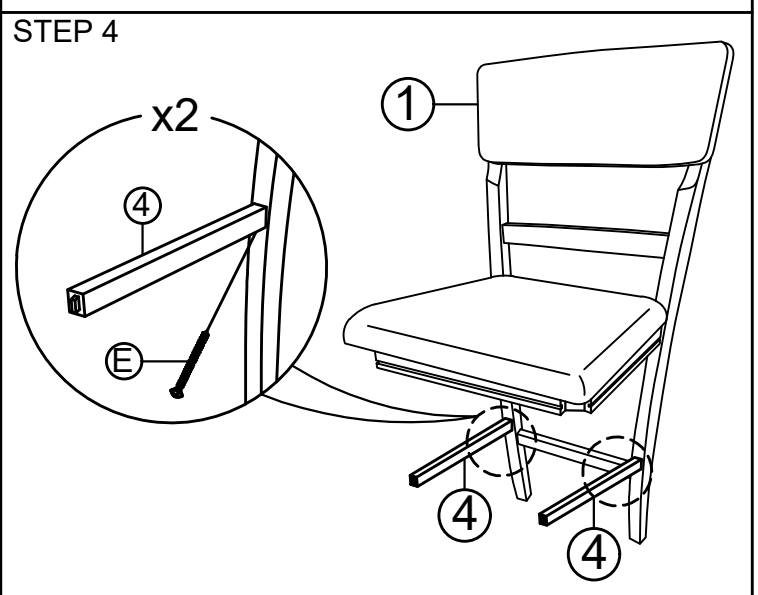
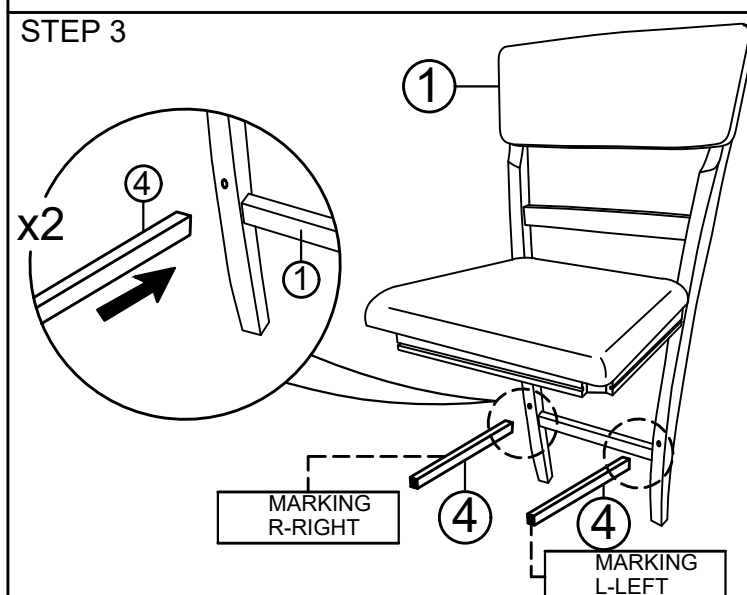
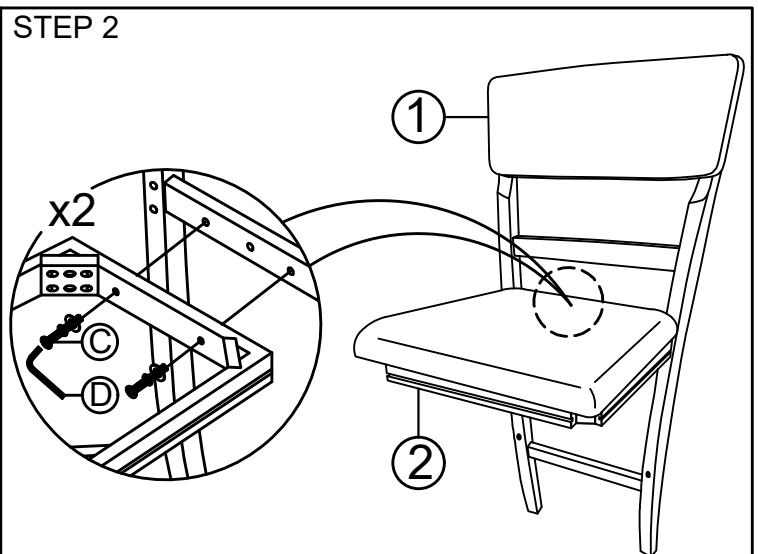
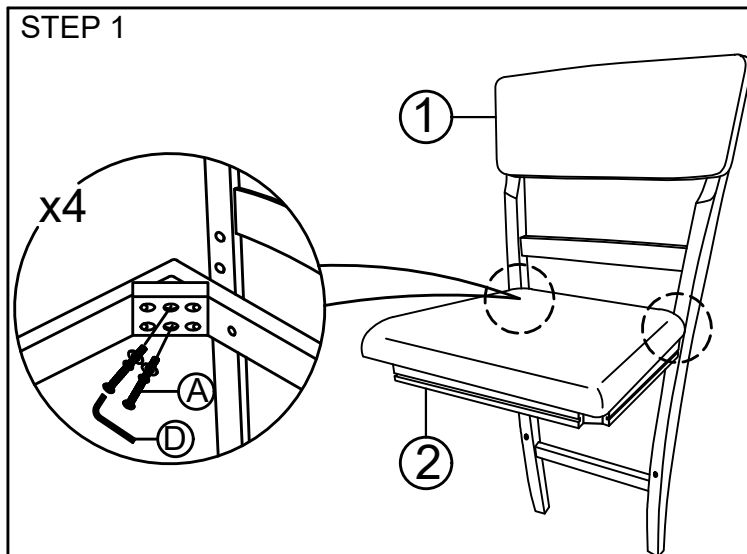
Thank you for purchasing this quality product. Be sure to check all packing material carefully for small parts which may come loose inside the carton during shipment.

Identify and count all parts.

NOTE: ASSEMBLE THE CHAIR ON A FLAT & SOFT SURFACE. DO NOT TIGHTEN ALL THE SCREWS UNTIL THE CHAIR HAS BEEN PUT A FLAT /HARD SURFACE ADJUST & LEVEL ALL THE LEGS SO THAT THEY DO NOT WOBBLE. ONCE ADJUSTED THEN TIGHTEN ALL THE SCREWS.

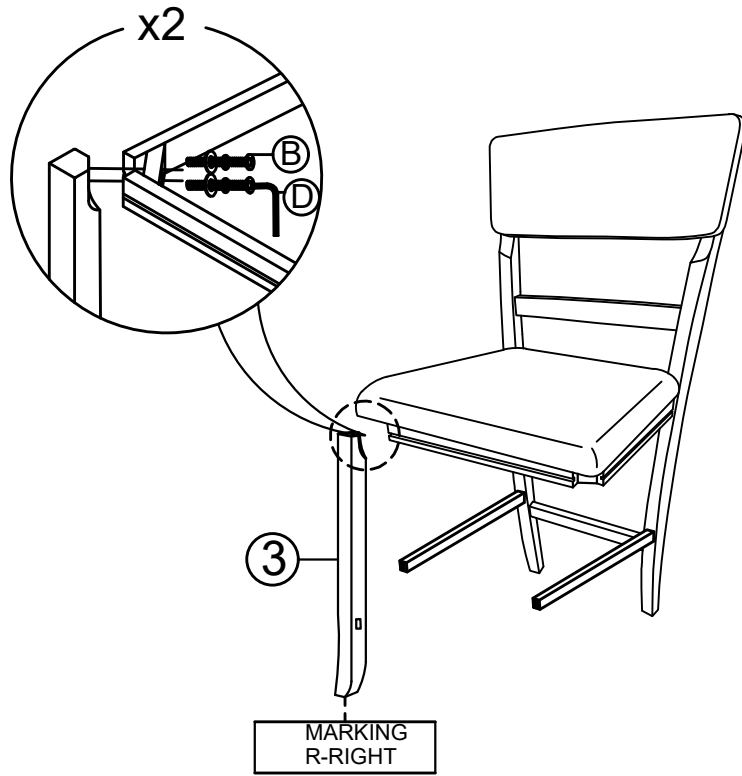
PARTS LIST		
NO	DESCRIPTION	QTY
1	CHAIR FRAME BACK 	1
2	BOX SEAT 	1
3	FRONT LEG (L & R) 	2
4	SIDE STRETCHER (L & R) 	2
5	FRONT STRETCHER 	1

HARDWARE LIST		
NO	DESCRIPTION	QTY
A	JCBC SCREW M6 x 80MM WITH LOCK WASHER & WASHER 	4
B	JCBC SCREW M6 x 60MM WITH LOCK WASHER & WASHER 	4
C	JCBC SCREW M6 x 35MM WITH LOCK WASHER & WASHER 	2
D	ALLEN KEY M4 	1
E	PAN HEAD #8 x 32MM 	6

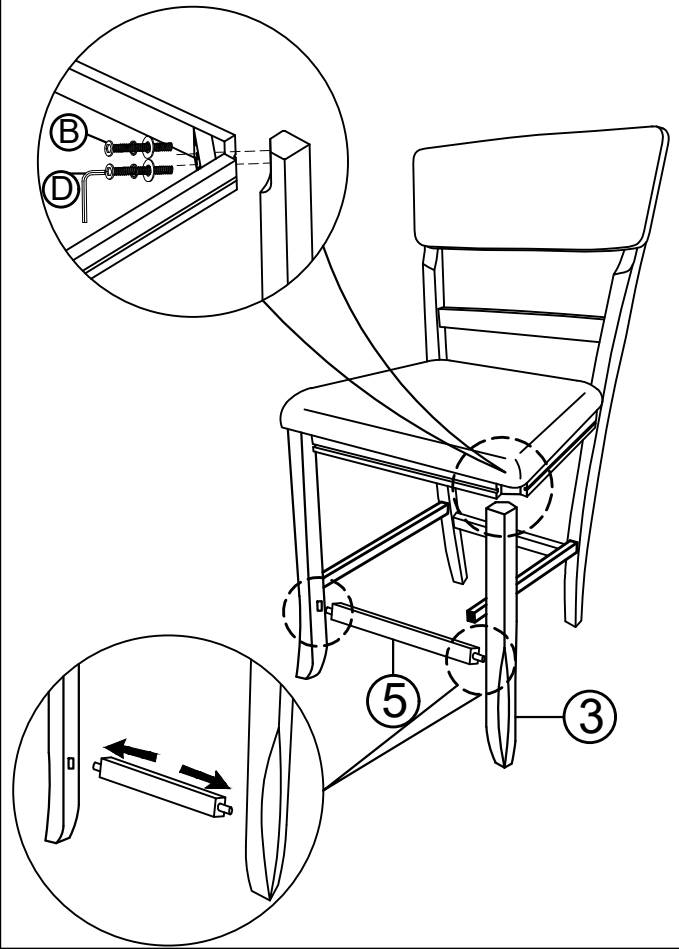


NOTE: TO ENSURE CHAIR DURABLE AND LONG LASTING, PLEASE CHECK ENTIRE CHAIR PART WHETHER IT'S IN SAFE AND ORDINARY CONDITIONS.

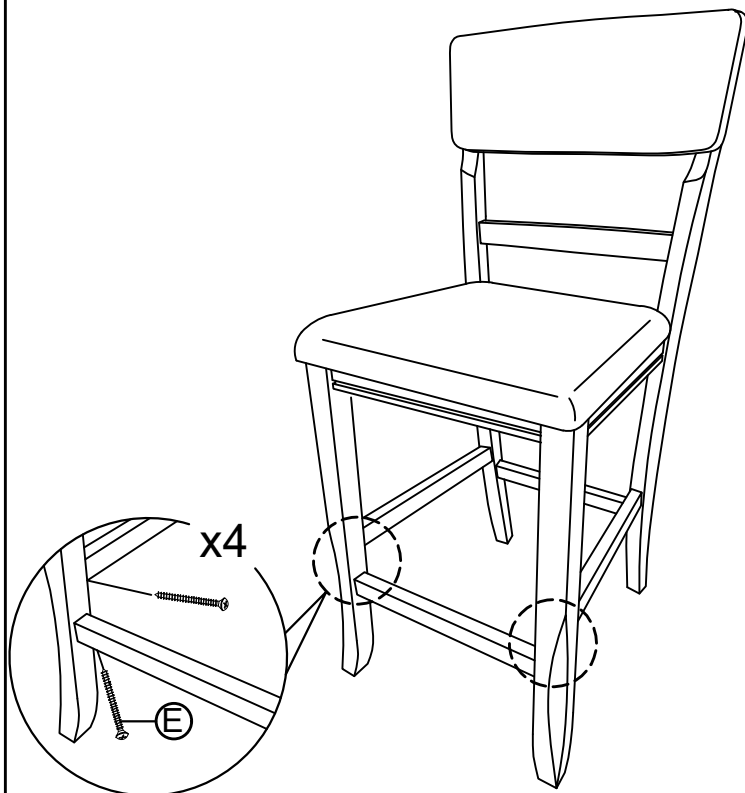
STEP 5



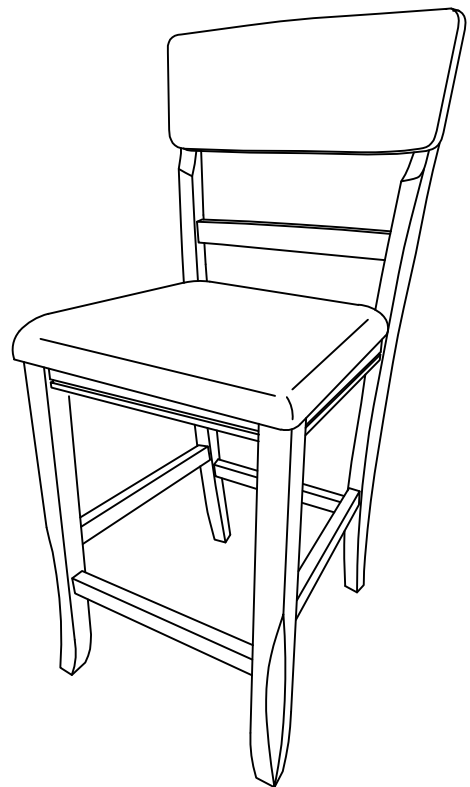
STEP 6



STEP 7



STEP 8



ASSEMBLY INSTRUCTION
COUNTER HEIGHT TABLE
2848T-6060-TOP / 2848T-6060-LEG

Thank you for purchasing this quality product. Be sure to check all packing material carefully for small parts which may have come loose inside the carton during shipment. Identify and count all parts and compare with the Parts List below.


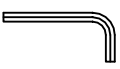
**Assemble the table on flat, soft surface such as carpet or cloth to prevent scratching table finish. Read all the instruction and study the drawings carefully before starting the assemble process.

Caution : Wipe up spills as soon as possible. Please wipe with dry rag right away.

PARTS LIST

NO	DESCRIPTION	QTY
1	TABLE TOP	1 PC
2	TABLE LEG	4 PCS
3	TABLE BASE	1 PC
4	SIDE PANEL	4 PCS
5	CENTER PANEL	2 PCS
6	SHELF PANEL	2 PCS
7	LAZY SUSAN	1 PC

HARDWARE LIST

NO	DESCRIPTION	QTY
A	 JCBB SCREW (NYLOK) 5/16" x 2 1/2" WITH LOCK WASHER & WASHER	8
B	 ALLEN KEY M4	1

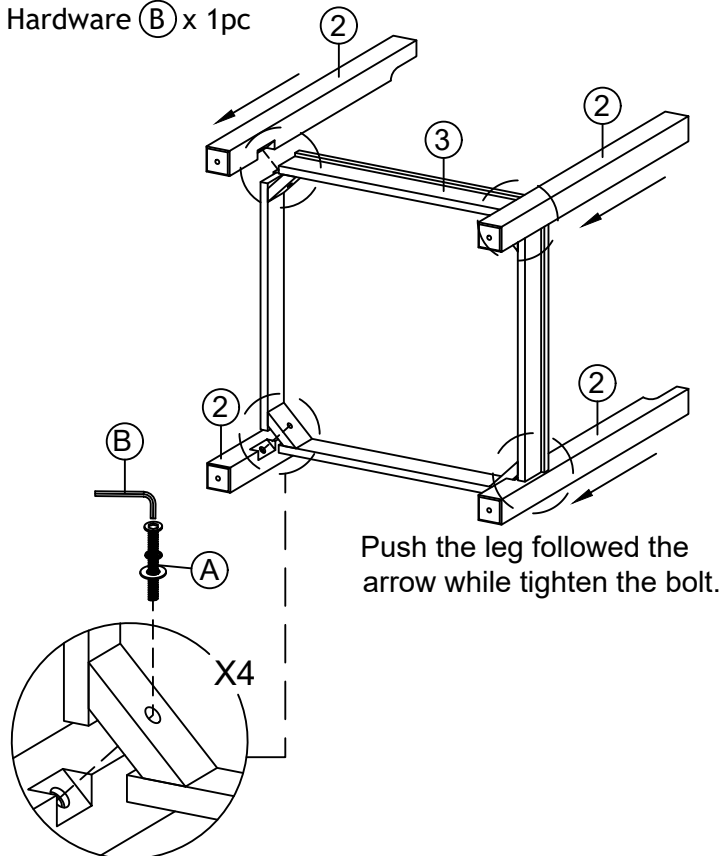
STEP 1

Part ② x 4pcs

Part ③ x 1pc

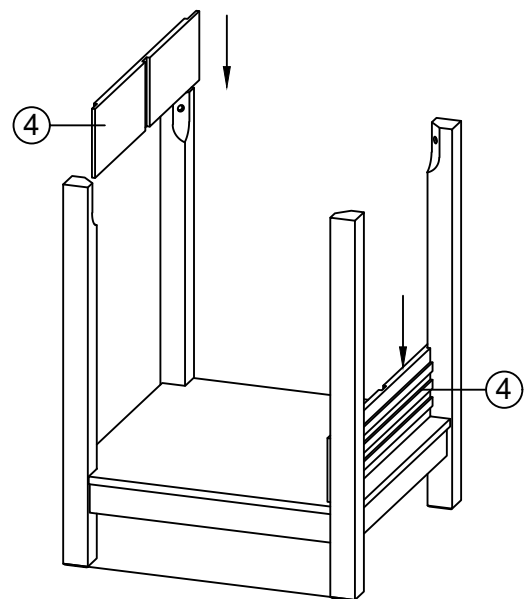
Hardware ① x 4pcs

Hardware ② x 1pc



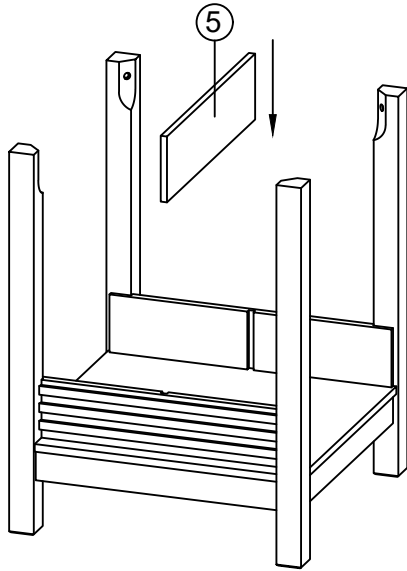
STEP 2

Part ④ x 2pcs



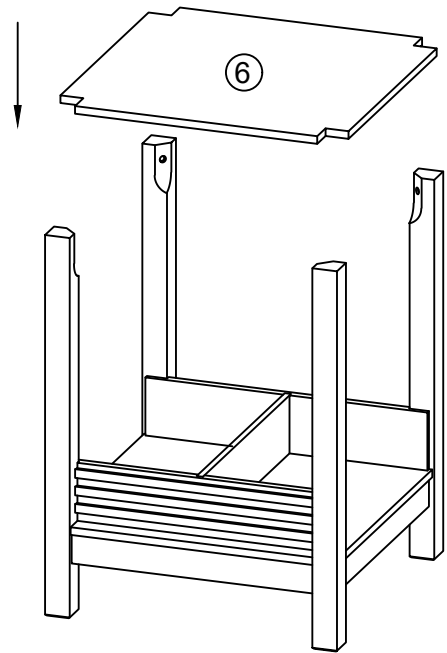
STEP 3

Part ⑤ x 1pc



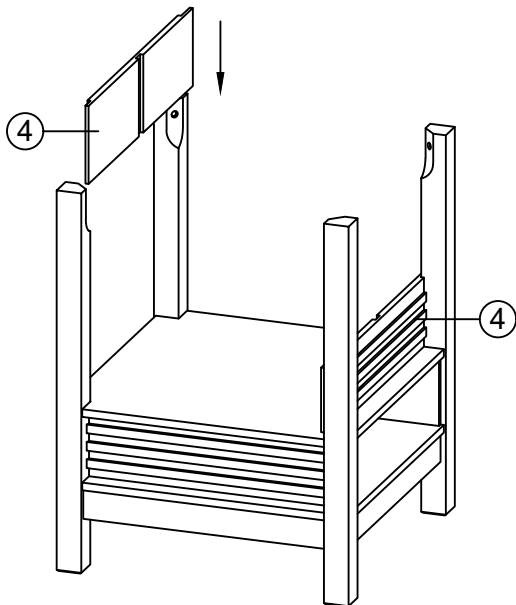
STEP 4

Part ⑥ x 1pc



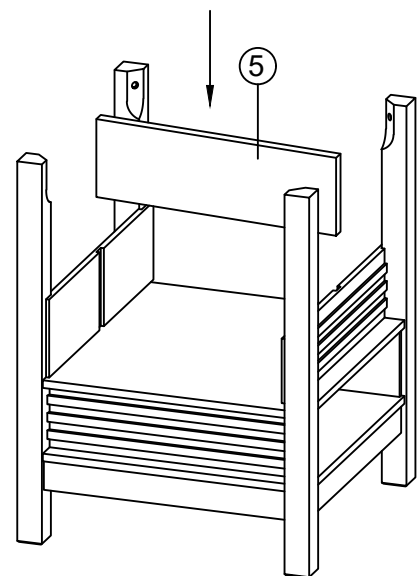
STEP 5

Part ④ x 2pcs



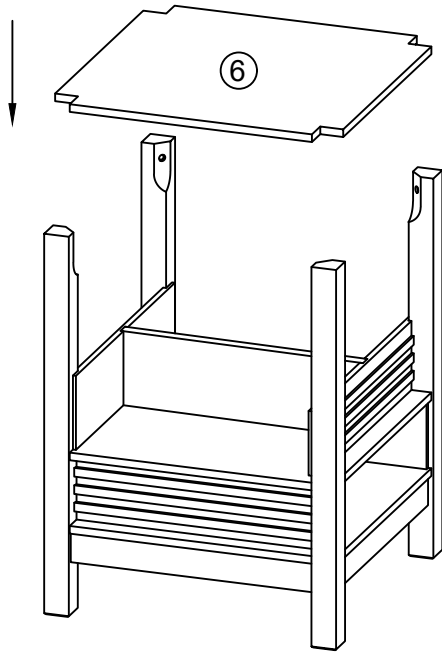
STEP 6

Part ⑤ x 1pc



STEP 7

Part ⑥ x 1pc

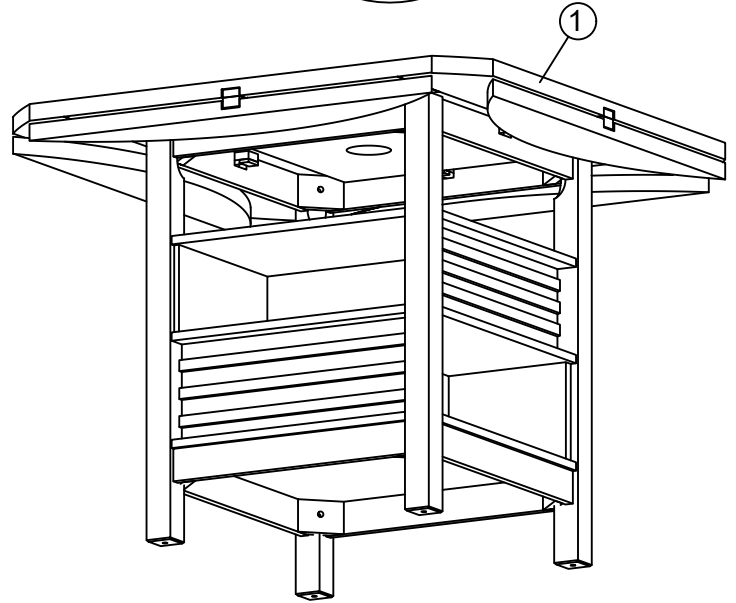
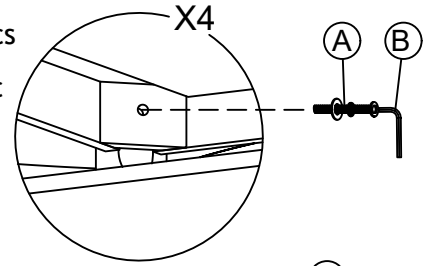


STEP 8

Part ① x 1pc

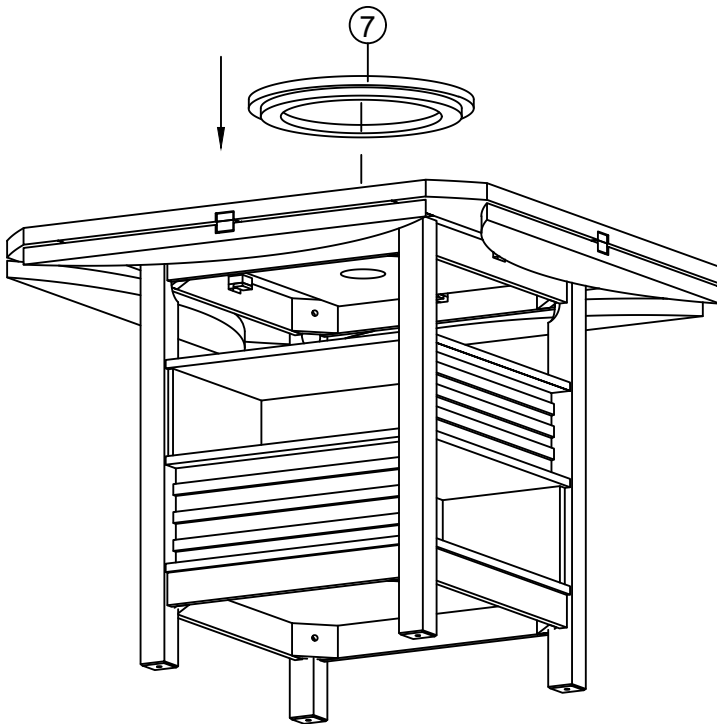
Hardware ① x 4pcs

Hardware ② x 1pc

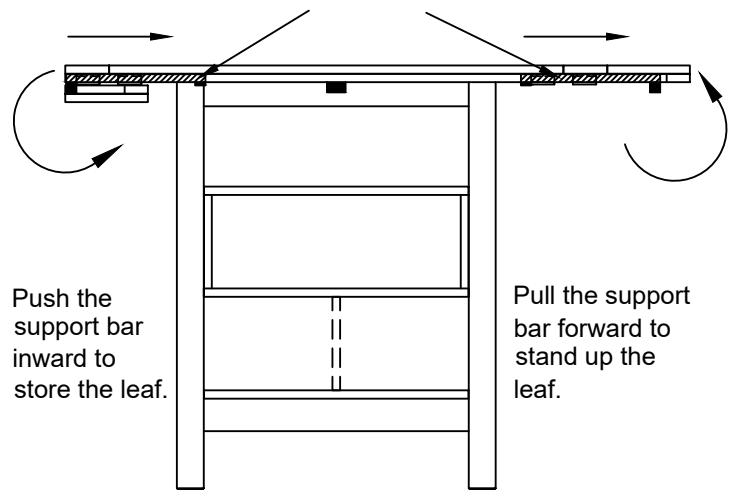


STEP 9

Part ⑦ x 1pc



STEP 10



Push the support bar inward to store the leaf.

Pull the support bar forward to stand up the leaf.

Removable Lazy Susan

To remove the lazy susan (for cleaning purpose), push from the hole underneath of the mounted board.