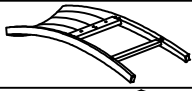
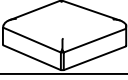
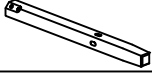


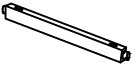
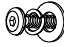






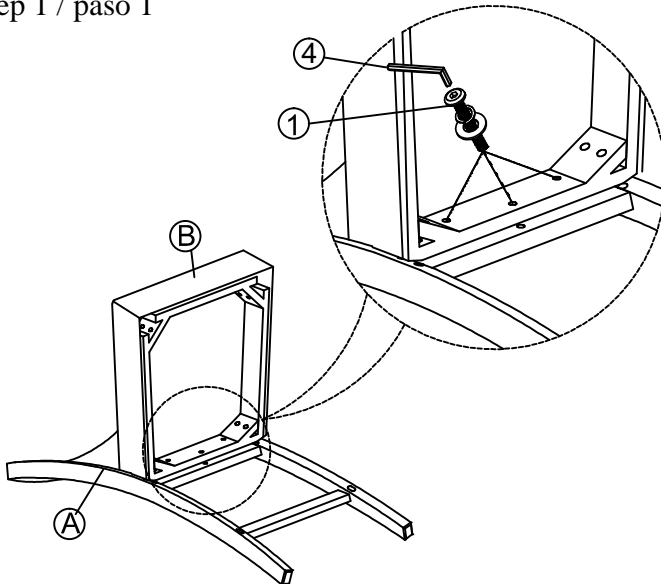
ASSEMBLY INSTRUCTIONS
INSTRUCCIONES

2724S-24 CHAIR
2724S-24 SILLA

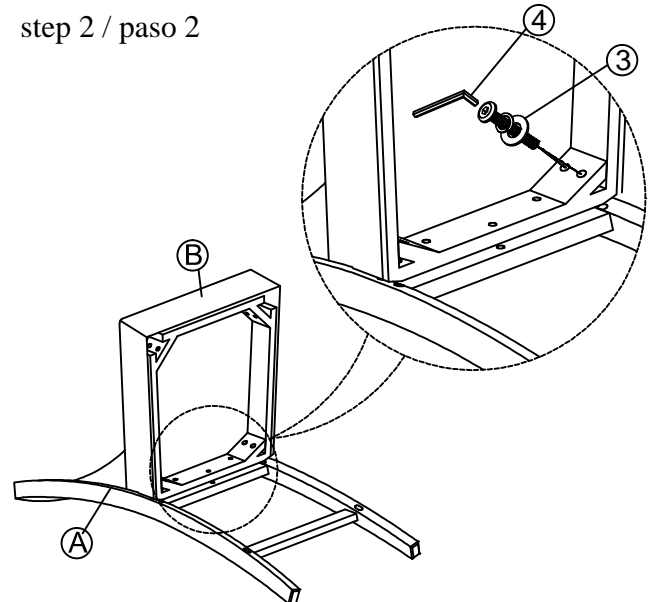
No.	DESCRIPTION	Q'TY
A	CHAIR BACK 	1pc/pieza
B	SEAT FRAME & CUSHION 	1pc/pieza
C	LEG 	2pcs/piezas
D	FRONT STRETCHER 	1pc/pieza
E	LEFT SIDE STRETCHER 	1pc/pieza
F	RIGHT SIDE STRETCHER 	1pc/pieza

No.	DESCRIPTION	Q'TY
①	BOLT  $\Phi 5/16'' \times 18'' \times 1-3/4''$ (Chair Back Center)	3pcs/piezas
②	BOLT  $\Phi 5/16'' \times 18'' \times 2-3/8''$ (Front Leg)	4pcs/piezas
③	BOLT  $\Phi 5/16'' \times 18'' \times 3-1/4''$ (Chair Back Leg Corner)	4pcs/piezas
④	ALLEN KEY  M5''*2-1/4''L	1pc/pieza
⑤	SCREW  M4*1-1/2''	6pcs/piezas

step 1 / paso 1



step 2 / paso 2



step 3 / paso 3

