

# ASSEMBLY INSTRUCTION

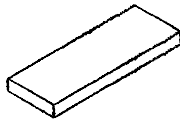
4947

**A** LEG



4PCS

**B** SEAT



1PC

**C** ALLEN WRENCH



1PC

**D** LOCK WASHER 5/16" \* Ø12MM



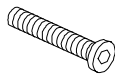
8PCS

**E** FLAT WASHER 5/16" \* Ø19MM



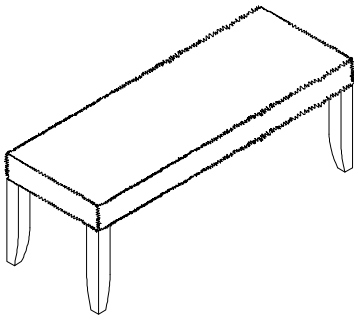
8PCS

**F** BOLT 5/16" \* 2-1/4"

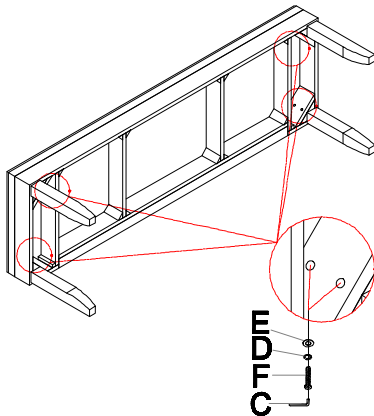


8PCS

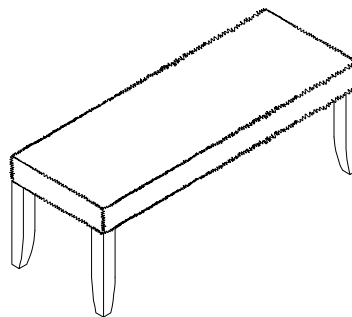
THIS PAGE LISTS ALL THE CONTENTS IN THE BOX. PLEASE TAKE THE TIME TO IDENTIFY THE HARDWARE AS WELL AS THE INDIVIDUAL COMPONENTS TO THIS PRODUCT. AS YOU UNPACK & PREPARE FOR ASSEMBLY. PLACE THE CONTENTS ON A CARPETED OR PADDED AREA TO PROTECT THEM FROM DAMAGE



1



2



## CLEANING & CARE

TREAT SURFACE WITH CARE. SURFACE IS RESISTANT TO SCRATCHES BUT IS NOT SCRATCH RESISTANT. CLEAN SURFACES WITH A DRY OR DAMP SOFT CLOTH. DO NOT USE ABRASIVE CLEANERS. HARDWARE MAY LOOSEN OVER TIME, PERIODICALLY CHECK THAT ALL CONNECTORS ARE TIGHT.