
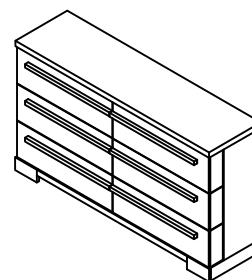


# ASSEMBLY INSTRUCTIONS

ITEM NO : B8160- 1 DRESSER

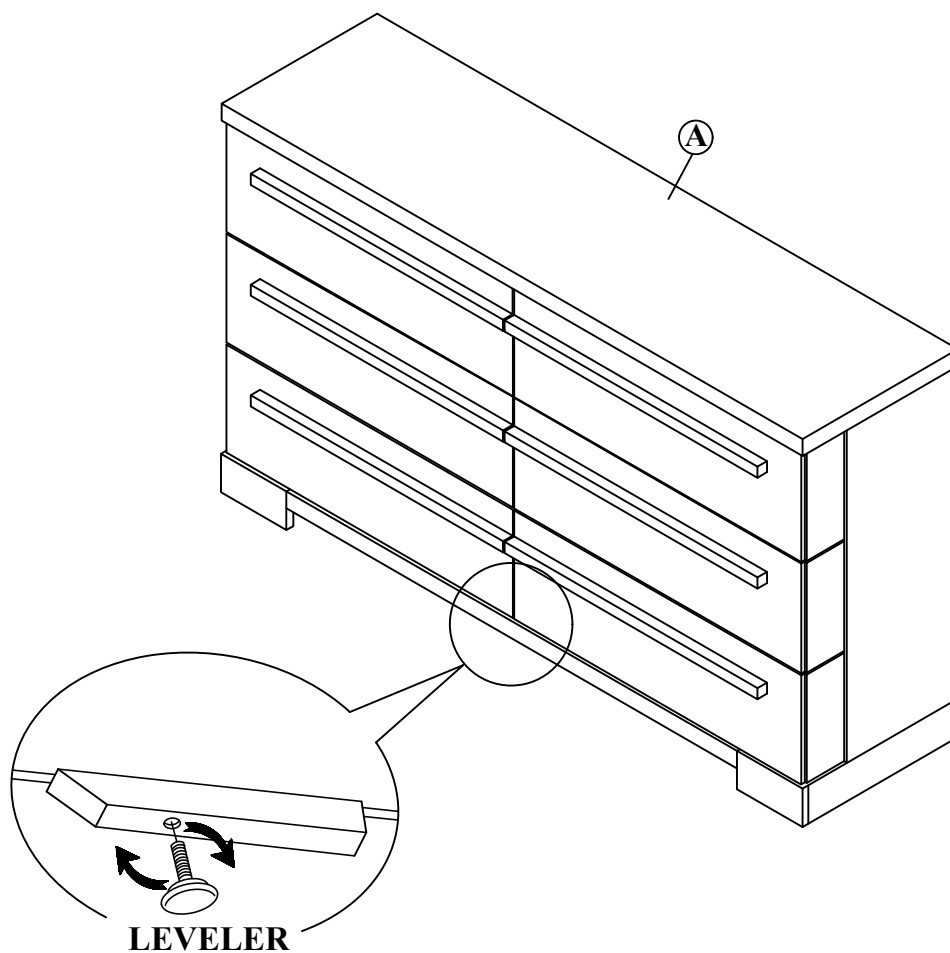
## BOX OF DRESSER

ITEM	DRAWING	DESCRIPTION	QTY
A		DRESSER	1



**COMPLETED DRESSER  
ASSEMBLY**

## STEP 1



**NOTE : ADJUST THE LEVELER ONLY IF IT IS BEING PLACED ON UNEVEN SURFACE.**

**THE ANTI TIPPING HARDWARE IS LOCATED IN THE 1ST RIGHT SIDE FRONT DRAWER OF THE DRESSER.**

**NOTE : MUST TIGHTEN SCREWS PERIODICALLY. WITH USE SCREW MAY BECOME LOOSE.  
CHECK TIGHTNESS OF ALL SCREW EVERY 6-8 WEEKS.**

## CLEANING INSTRUCTION

After assembly, clean & polish the completed parts if necessary with soft cloth and industrial recognized furniture polish



LIVING SPACES

MADE IN MALAYSIA