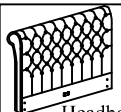


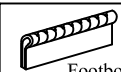
MODEL:#5103 (5')


# ASSEMBLY INSTRUCTION


(BOX 1) 5103-Q-HB  
BOX OF HEADBOARD

A		1 pc
Headboard		


(BOX 2) 5103-Q-FB  
BOX OF FOOTBOARD


B		1 pc
Footboard		

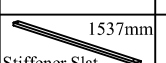
C		4 pcs
Wooden Leg 57 x 57 x 130(H)		

D		3 pcs
Support Leg 250mm		

E		28 pcs
Slat 762mm		

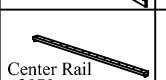
F		14 pcs
Middle Holder		

G		28 pcs
End Holder		

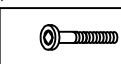
H		2 pcs
Stiffener Slat 1537mm (3 Holes)		

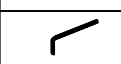
(BOX 3) 5103-KQ-RAIL  
BOX OF SIDE RAIL

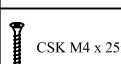
I		2 pcs
Side Rail		

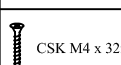
J		1 pc
Center Rail 2070mm		

(BOX 2) 5103-Q-FB  
Hardware List

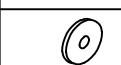
K		3 pcs
JCBC M6 X 40		

L		1 pc
M4 x 65mm		

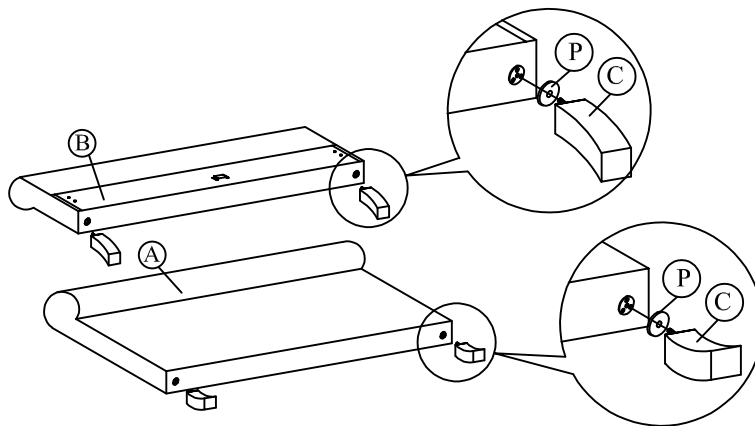
M		2 pcs
CSK M4 x 25mm		

N		6 pcs
CSK M4 x 32mm		

O		8 pcs
JCBC M6 X 30 With Spring Washers with Flat Washers		

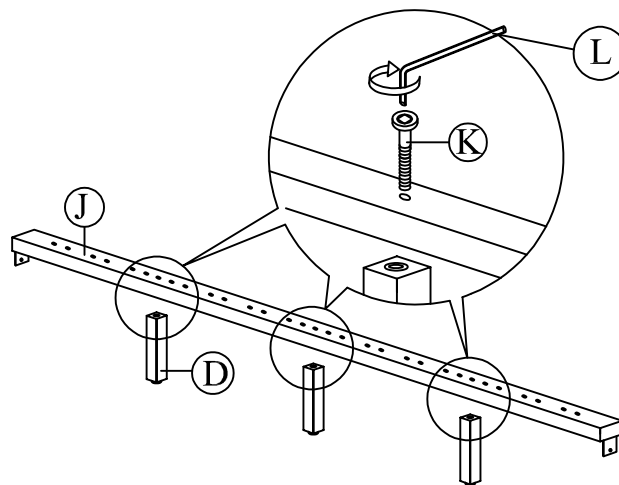
P		4 pcs
No 35 Washers		

Step 1: Tighten the legs (C) to both headboard (A) and footboard (B) as shown.

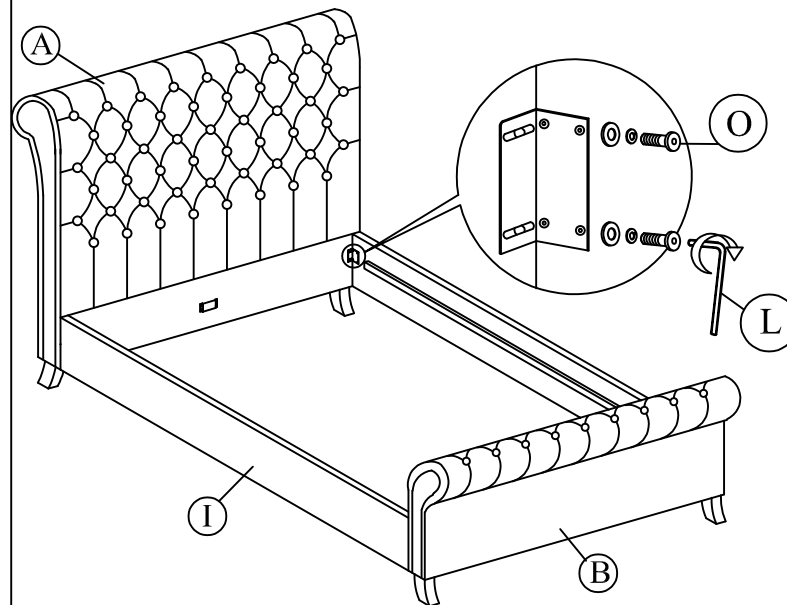


**BACK VIEW**

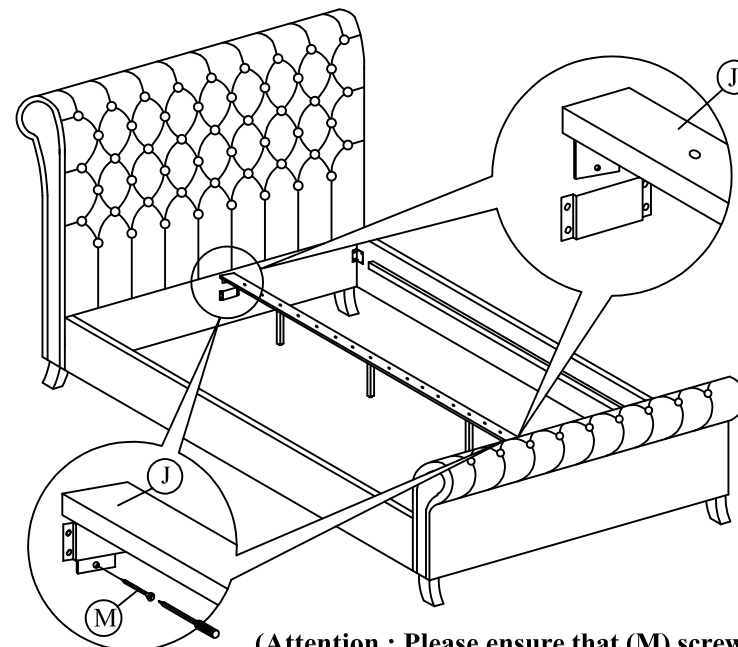
Step 3: Attach the support legs (D) to the center rail (J) of the bed as shown.



Step 2: Attach side rail to headboard and footboard and tighten the screws, spring washers & flat washers to the headboard and footboard.



Step 4: Slide the center rail (J) to the headboard (A) and footboard (B). Tighten screws (M) using screw driver (not included) to the headboard (A) and footboard (B).



**(Attention : Please ensure that (M) screw is being attach as per the A.I shown to avoid base being collapse).**

Step 5: Affix the Stiffener Slat (H) to the side rail support wood and the center rail (J). Assembly of the slat holders with LVL slats as shown.

