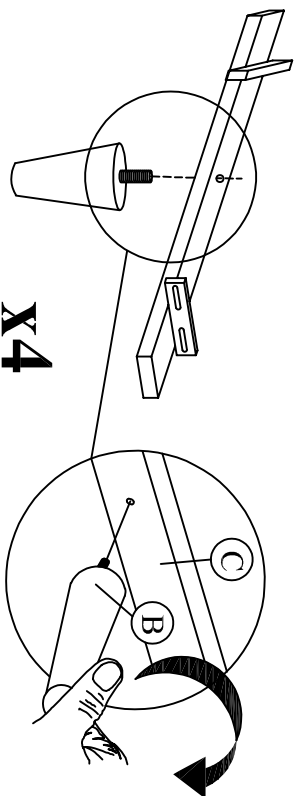


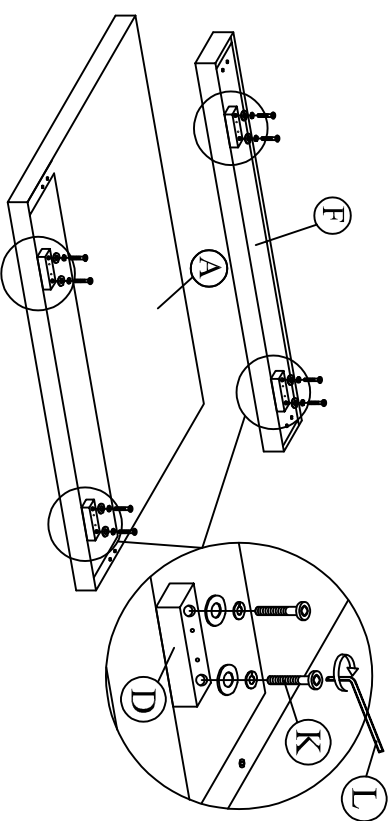
ASSEMBLY INSTRUCTION

MODEL : #5095 (5')

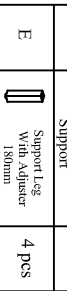
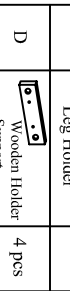
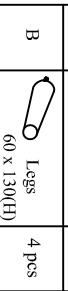
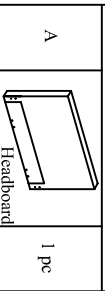
Step 1 : Install the legs (B) to leg holder (C).



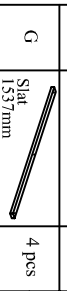
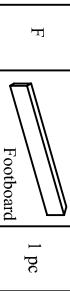
Step 2 : Attach Wooden Holder Support (D) to footboard (F) and headboard (A).



(BOX 1) #5095-Q-HB
BOX OF HEADBOARD



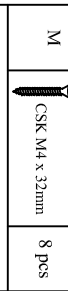
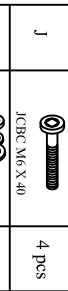
(BOX 2) #5095-Q-FB
BOX OF FOOTBOARD



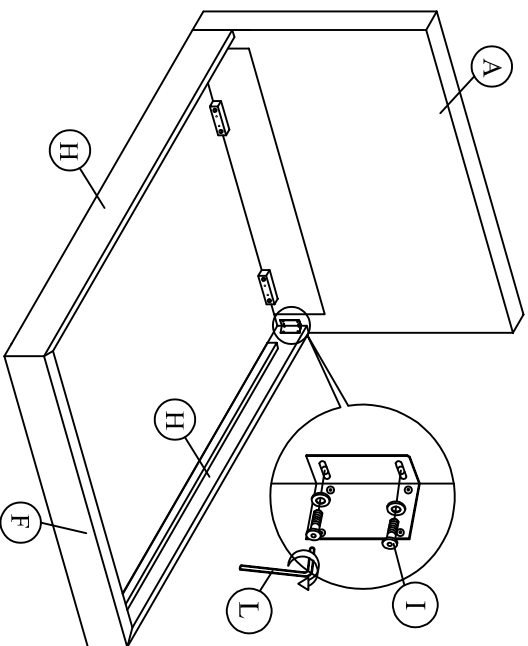
(BOX 3) #5095-K-Q-RAIL
BOX OF SIDE RAIL



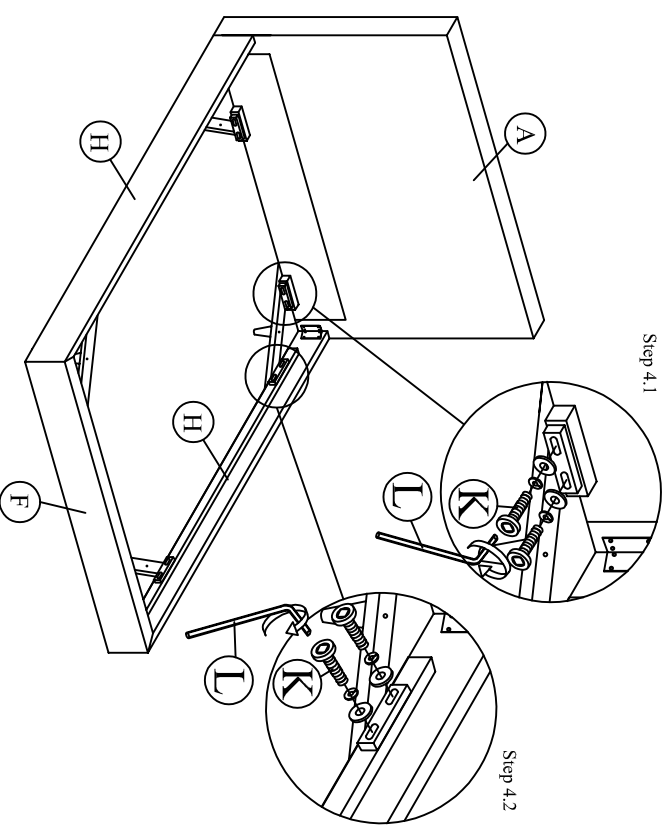
(BOX 4) #5095-Q-HB
HARDWARE LIST



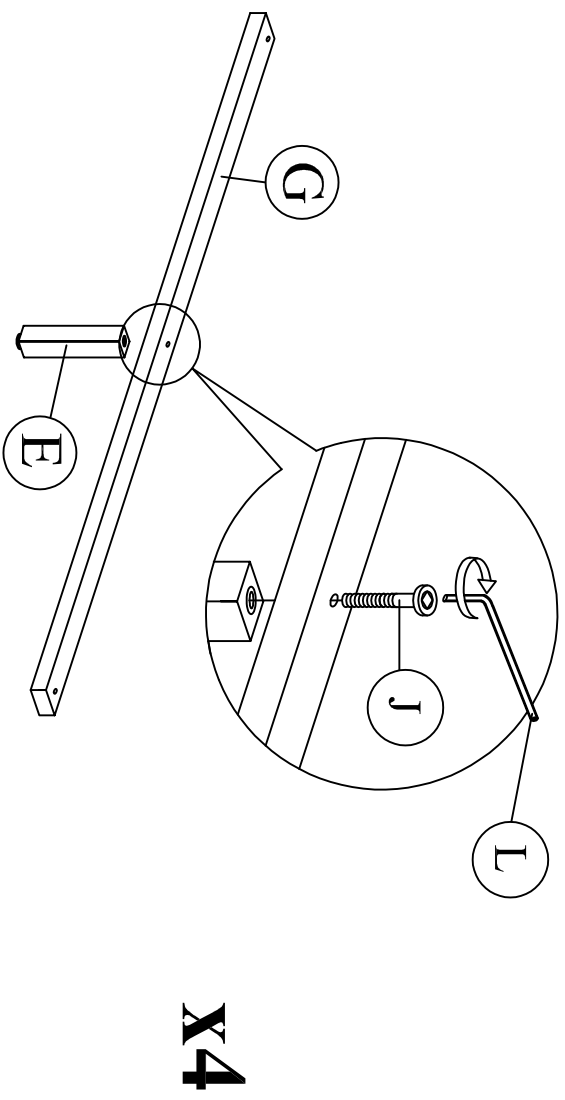
Step 3 : Attached side rail (H) to headboard (A) and footboard (F) and tightened the screws + flat washers (I) to the headboard (A) and footboard (F).



Step 4 : Attach leg holder (C) with leg (B) to the side rail (H), footboard (F) and headboard (A).



Step 5 : Attach the support legs (E) to the slat (G) of the bed as shown.



Step 6 : Affix the Slat (G) to the side rail support wood. Tighten all the 4 corner.

