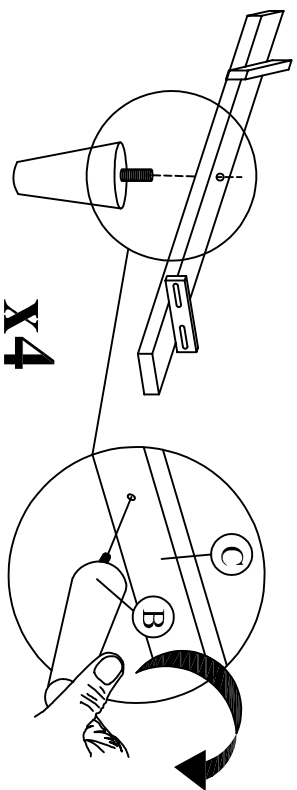


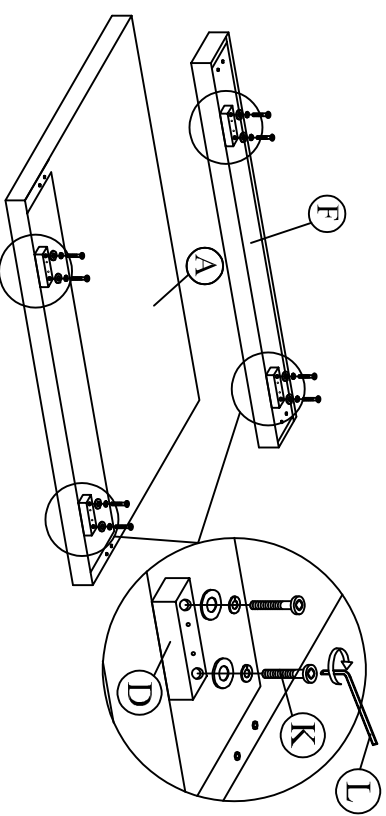
# ASSEMBLY INSTRUCTION

MODEL : #5095 (6')

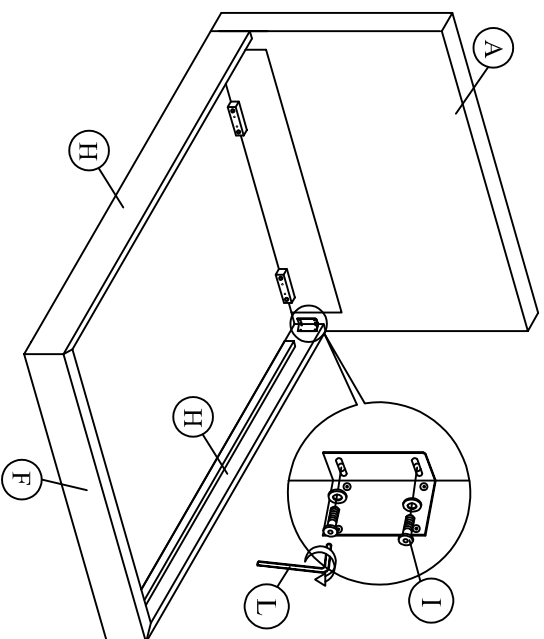
Step 1 : Install the legs (B) to leg holder (C).



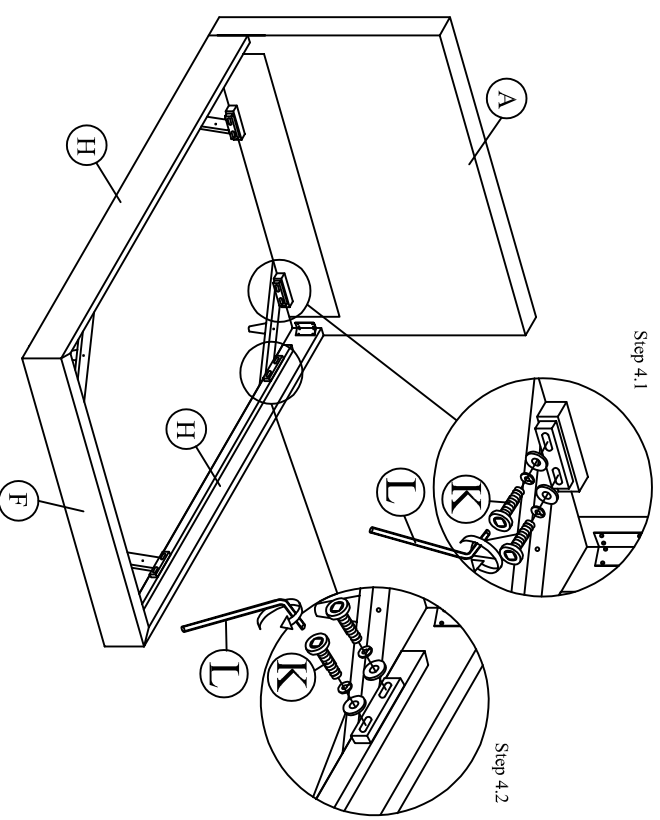
Step 2 : Attach Wooden Holder Support (D) to footboard (F) and headboard (A).



Step 3 : Attach side rail (H) to footboard (F) and headboard (A).



Step 4 : Attach leg holder (C) with leg (B) to the side rail (H), footboard (F) and headboard (A).



(BOX 1) #5095-K-HB  
BOX OF HEADBOARD

A Headboard 1 pc

B Legs 60 x 130(H) 4 pcs

C Leg Holder 4 pcs

D Wooden Holder Support 4 pcs

E Support Leg With Adjuster 180mm 8 pcs

(BOX 2) #5095-K-FB  
BOX OF FOOTBOARD

F Footboard 1 pc

G Slat 1947mm 4 pcs

(BOX 3) #5095-KO-RA-111  
BOX OF SIDE RAIL

H Side Rail 2 pcs

(BOX 1) #5095-K-HB  
HARDWARE LIST

I JCRC M6 X 30 + Flat Washer 8 pcs

J JCRC M6 X 40 8 pcs

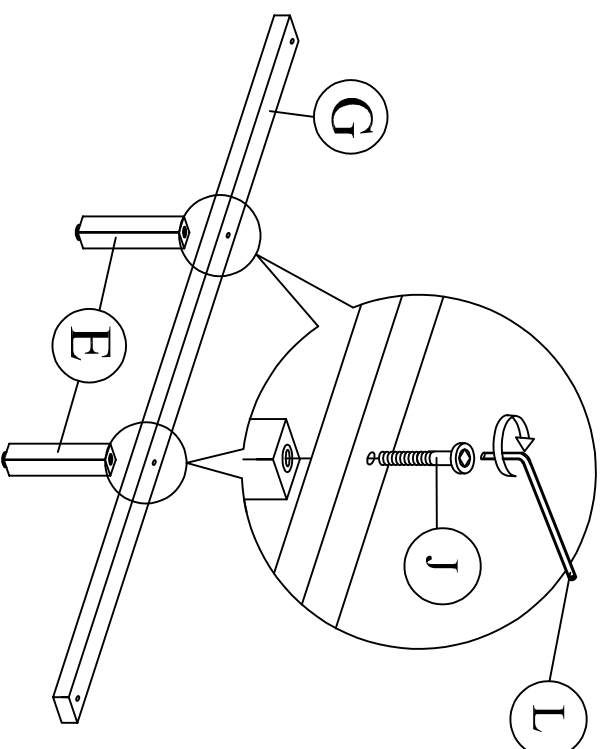
K JCRC M6 X 50 + Spring Washer + Flat Washer 24 pcs

L M4 x 65mm 1 pc

M CSK M4 x 32mm 8 pcs



Step 5 : Attach the support legs (E) to the slat (G) of the bed as shown.



**X4**

Step 6 : Affix the Slat (G) to the side rail support wood. Tighten all the 4 corner.

