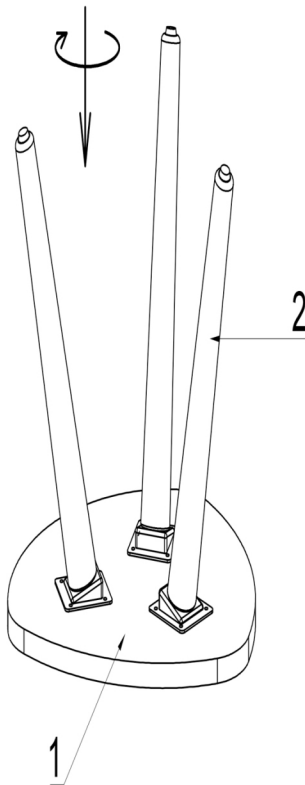
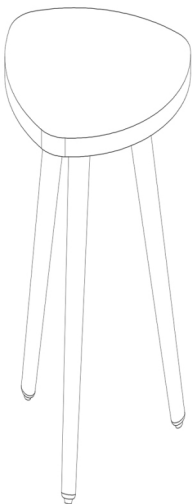
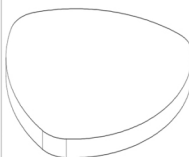


ASSEMBLY INSTRUCTION FOR NANA TABLE "SIZE -L"



(1)



x 1

(2)



x 3



Max: 75kgs