

ASSEMBLY INSTRUCTIONS INSTRUCCIONES



2718T-4272 COUNTER HIGH TABLE 2718T-4272 MESA ALTA DE MOSTRADOR

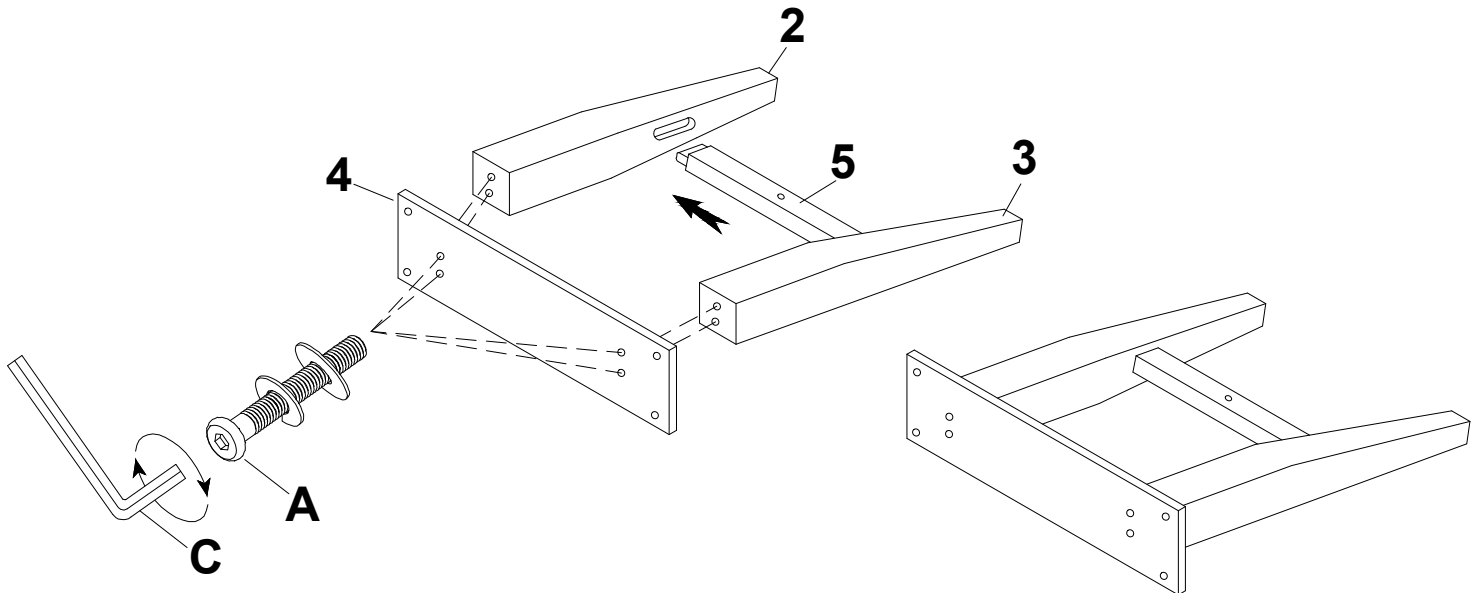
PARTS LIST

NO.	DESCRIPTION	SKETCH	Q'TY
1	TABLE TOP		1pc
2	TABLE LEG (L)		2pcs
3	TABLE LEG (R)		2pcs
4	CONNECT BOARD		2pcs
5	SIDE STRETCHER		2pcs
6	INCLINED CROSS BAR		2pcs

HARDWARE LIST

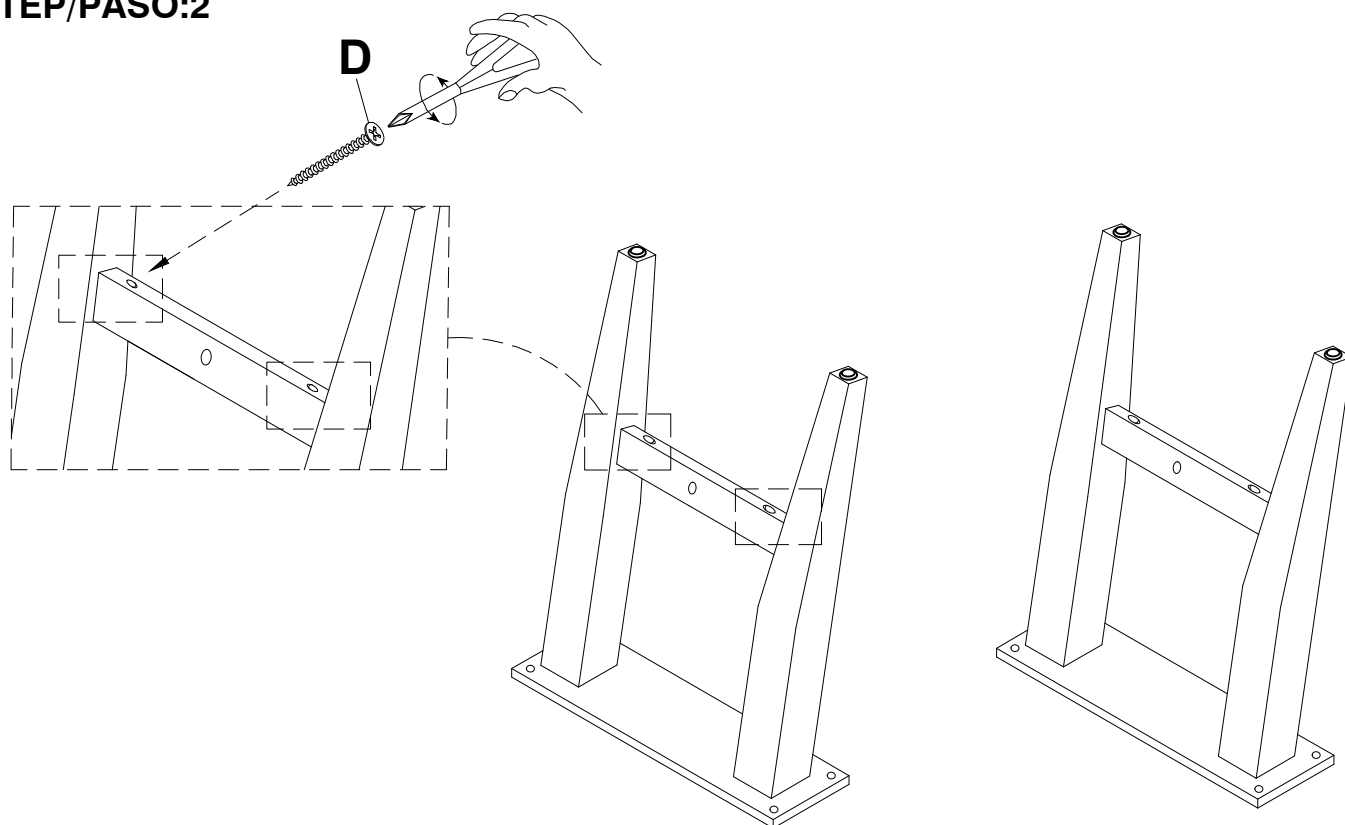
NO.	DRAWING	DESCRIPTION	Q'TY
A		Ø5/16"-18x2"L	16pcs
B		Ø5/16"-18x1-3/8"L	4pcs
C		M4 SMALL ALLEN KEY	1pc
D		#8x2"L	4pcs

STEP/PASO:1

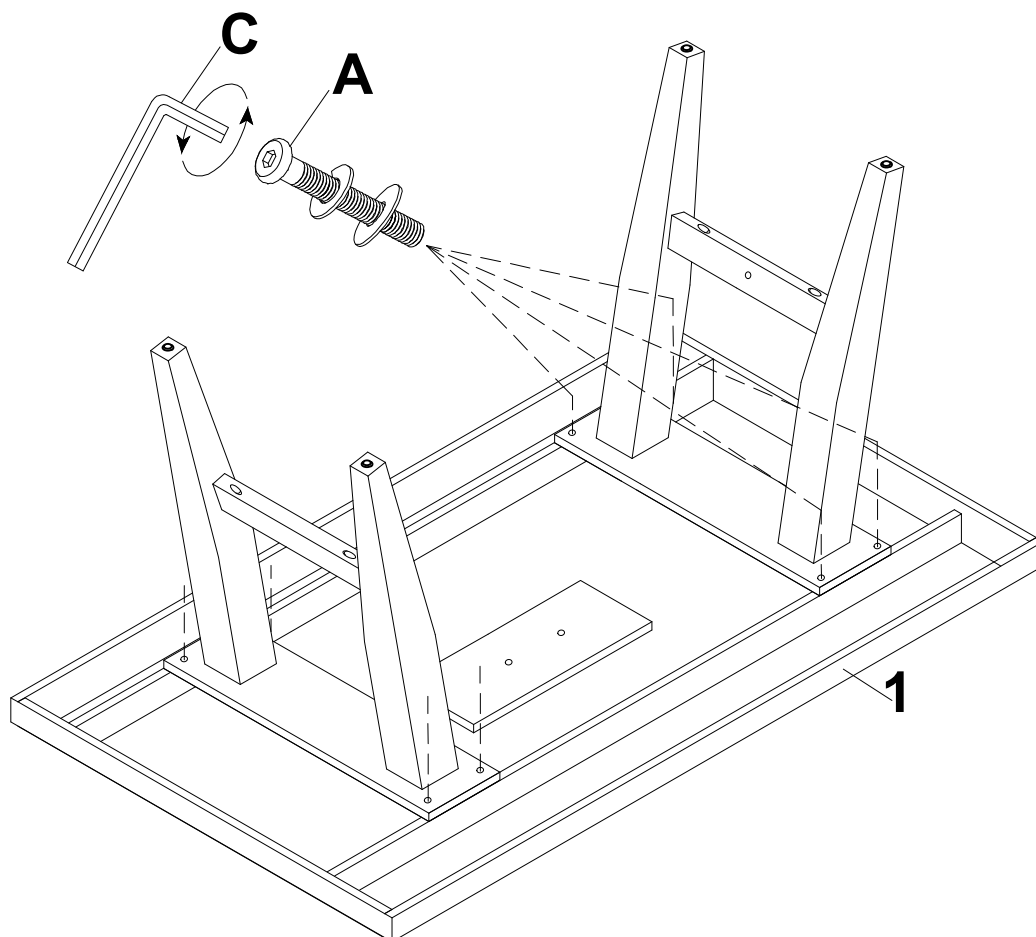


**DO NOT TIGHTEN ALL BOLTS UNTIL COMPLETELY ASSEMBLED.
NO APRETAR LOS TORNILLOS HASTA ARMAR COMPLETAMENTE.**

STEP/PASO:2

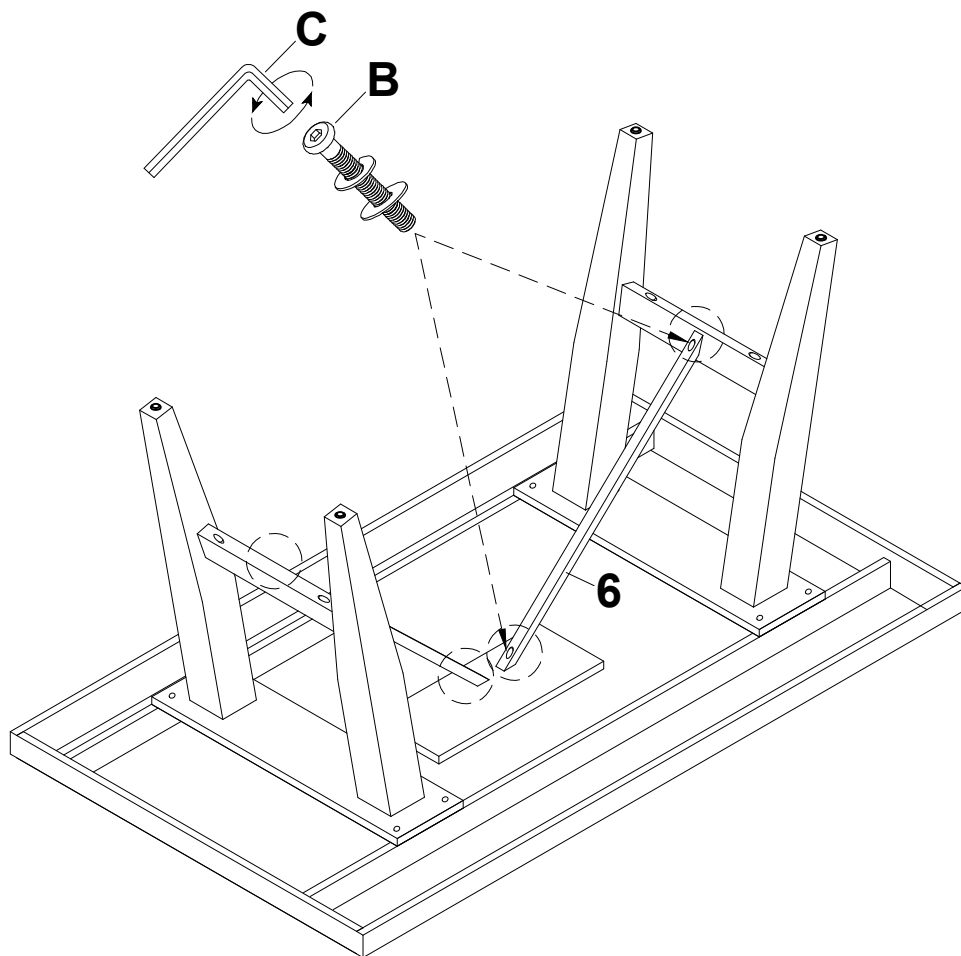


STEP/PASO:3



DO NOT TIGHTEN ALL BOLTS UNTIL COMPLETELY ASSEMBLED.
NO APRETAR LOS TORNILLOS HASTA ARMAR COMPLETAMENTE.

STEP/PASO:4



COMPLETED

