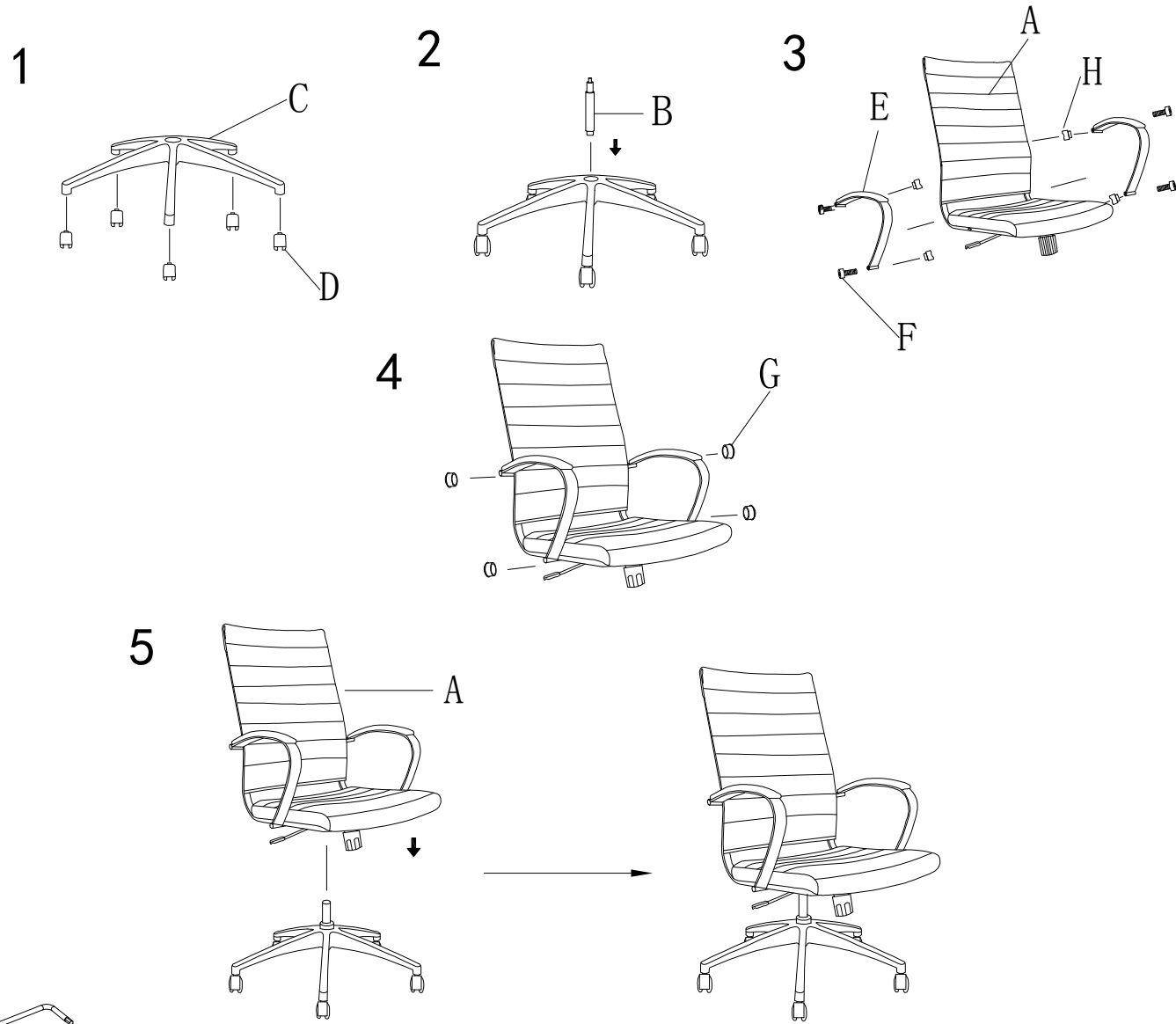








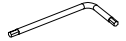


Assembly Instructions

AXEL High Back Office Chair

PLEASE NOTE: Check that you have received all components and hardware before assembling. If you are missing any parts, contact your retailer.



-  A (1pc)
-  B (1pc)
-  C (1pc)
-  D (5pcs)
-  E (2 pcs)
-  F (4 pcs)
M8-1.25x45mm
-  G (4pcs)
-  H (4pcs)
-  I (1pc)
6mm

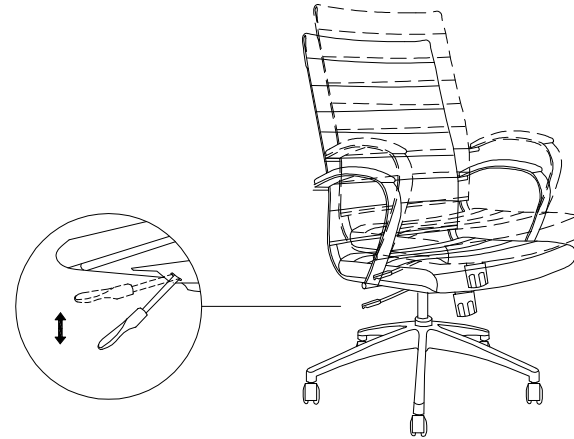
During assembly, hand tighten screws only. When the screws are in place, tighten completely.

Function Description

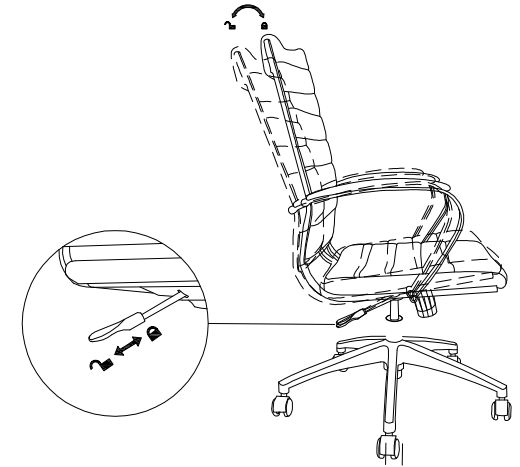
PLEASE NOTE: Check that you have received all components and hardware before assembling. If you are missing any parts, contact your retailer.



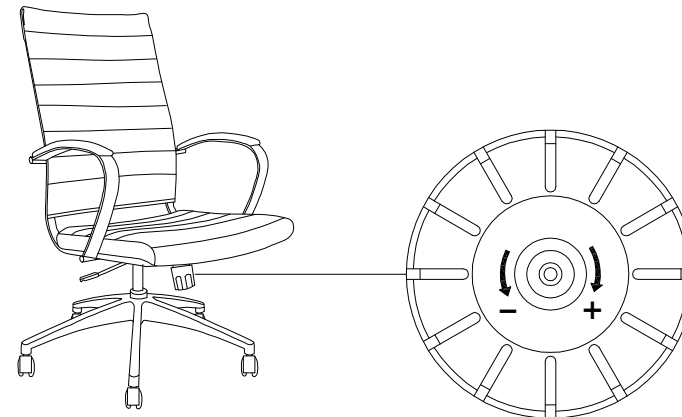
1 Chair Height Adjustable



2 Chair Tilt and Lock



3 Tilt Tension



During assembly, hand tighten screws only. When the screws are in place, tighten completely.