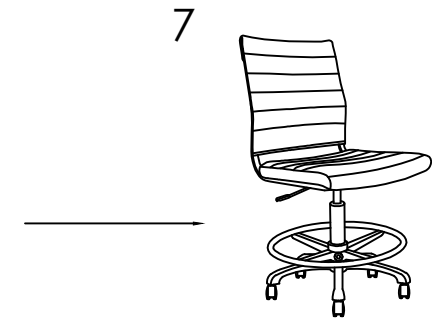
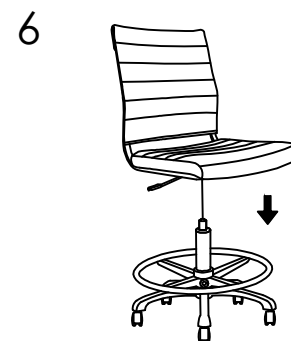
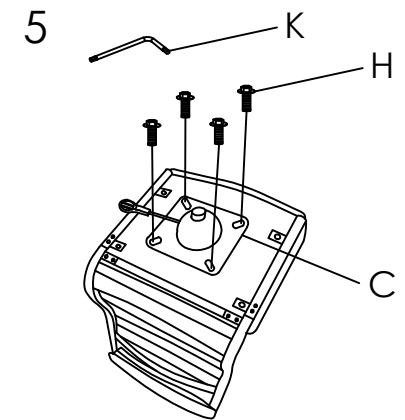
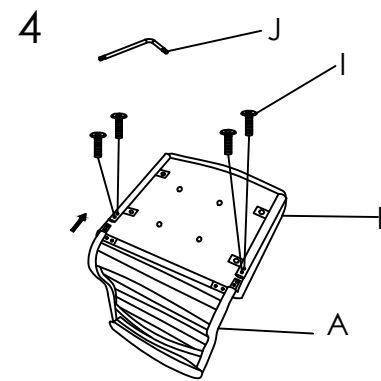
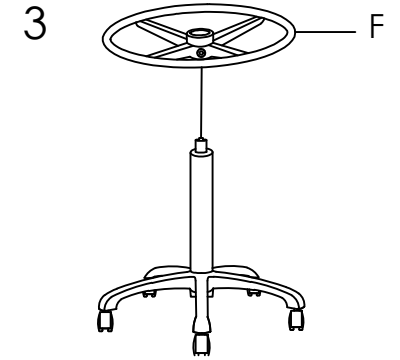
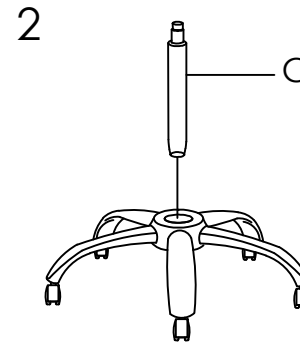
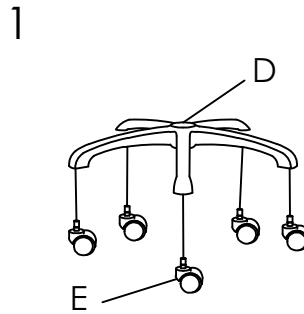


Assembly Instructions AXEL Drafting Stool

PLEASE NOTE: Check that you have received all components and hardware before assembling. If you are missing any parts, contact your retailer.



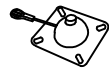
During assembly, hand tighten screws only. When the screws are in place, tighten completely.



A 1(pc)



B 1(pc)



C 1(pc)



D 1(pc)



E 1(pc)



F 5(pcs)



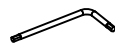
G 1(pc)



H 4(pcs) M6-1.25x20mm



I 4(pcs) M6-1.25x20mm



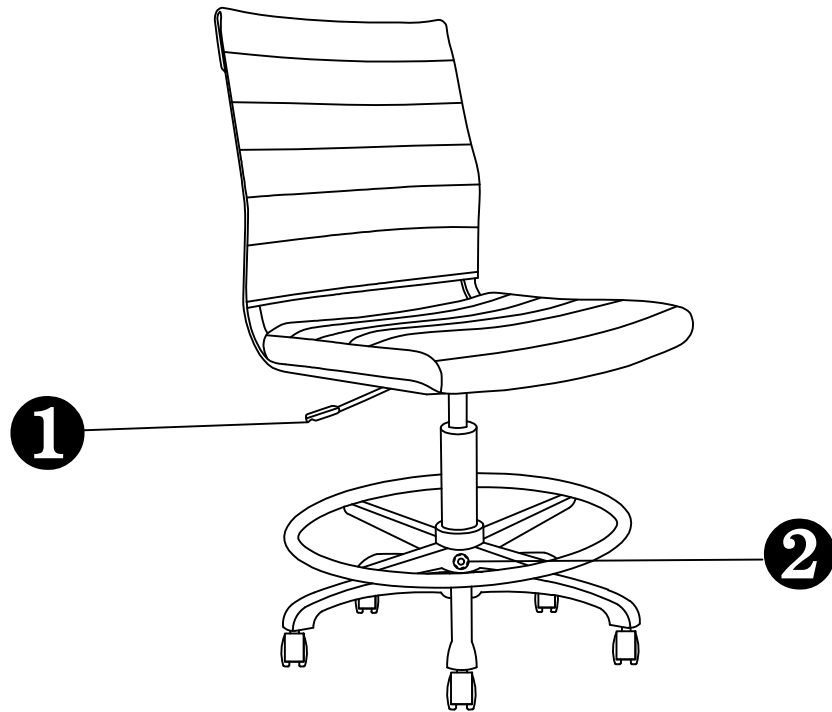
J 1(pc) 4mm



K 1(pc) 5mm

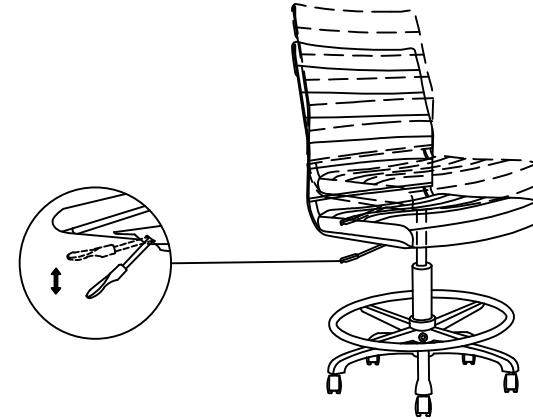
Assembly Instructions AXEL Drafting Stool

Function Description

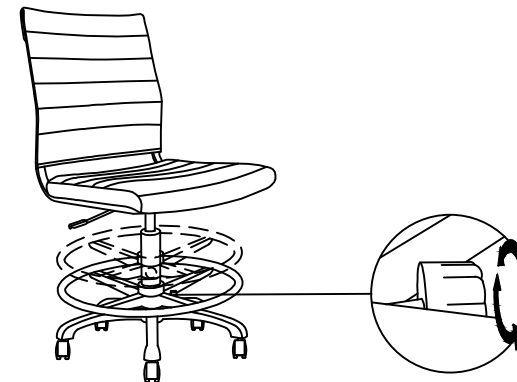


PLEASE NOTE: Check that you have received all components and hardware before assembling. If you are missing any parts, contact your retailer.

1 Chair height adjustable



2 Foot ring adjustable



During assembly, hand tighten screws only. When the screws are in place, tighten completely.