

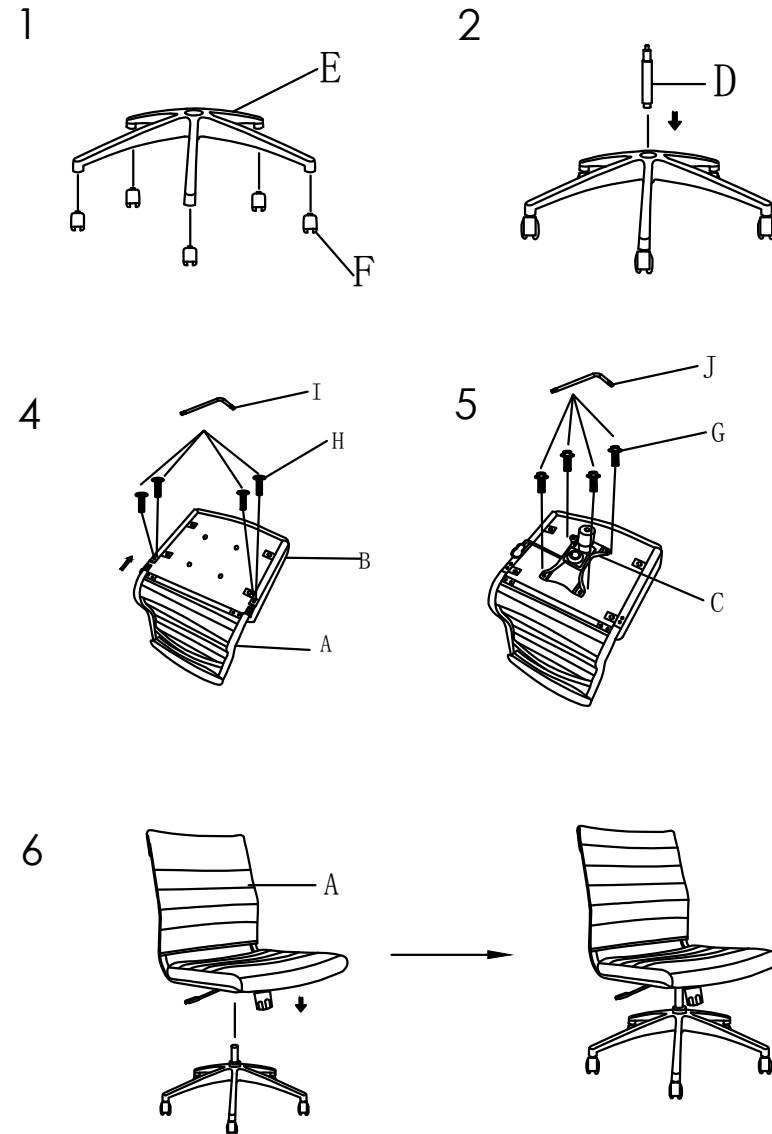
Assembly Instructions

AXEL Low Back Office Chair without arms

PLEASE NOTE: Check that you have received all components and hardware before assembling. If you are missing any parts, contact your retailer.



- | | | | |
|--------------------------|--------------------------|----------------|----------------|
| | | | |
| A 1(pc) | B 1(pc) | C 1(pc) | |
| | | | |
| D (1pc) | E (1pc) | F (5pcs) | |
| | | | |
| G 4(pcs)
M6-1.25x20mm | H 4(pcs)
M6-1.25x12mm | I 1(pc)
4mm | J 1(pc)
5mm |



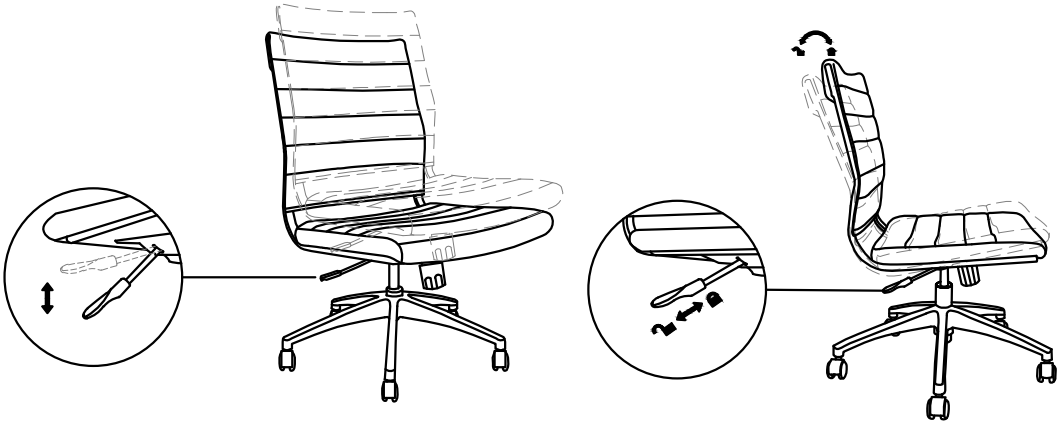
During assembly, hand tighten screws only. When the screws are in place, tighten completely.

Function Description

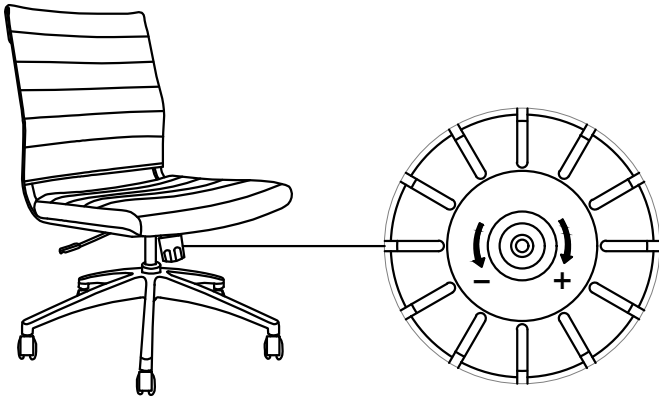
PLEASE NOTE: Check that you have received all components and hardware before assembling. If you are missing any parts, contact your retailer.

1 Chair Height Adjustable

2 Chair Tilt and Lock



3 Tilt Tension



During assembly, hand tighten screws only. When the screws are in place, tighten completely.