



LIVING SPACES

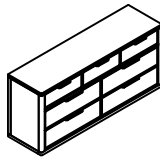

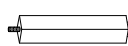
ASSEMBLY INSTRUCTIONS

ITEM **305-P323100S**
DRESSER




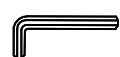
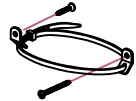
Thank you for purchasing this quality product. Be sure to check all packing material carefully for small hardware which may have come loose inside the carton during shipment. Identify and count all hardware and compare with the hardware list below.

When placing furniture on non-carpeted flooring, HMI recommends the use of floor protection such as an area rug or furniture pads. Area rugs and padding not included with purchase.

PARTS LIST

No.	Description	Sketch	Quantity
1	Dresser		1
2	Metal Leg		4
3	Center leg		1

HARDWARE LIST

No.	Description	Sketch	Side	Quantity
A	Allen Bolt		ø5/16"*1"	12
B	Lock washer		ø5/16"	12
C	Flat washer		ø5/16"*19*2mm	12
D	Allen key		ø5/16"	1
E		Anti- Tipping Restraint		1

TOOLS REQUIRED (NOT PROVIDED)

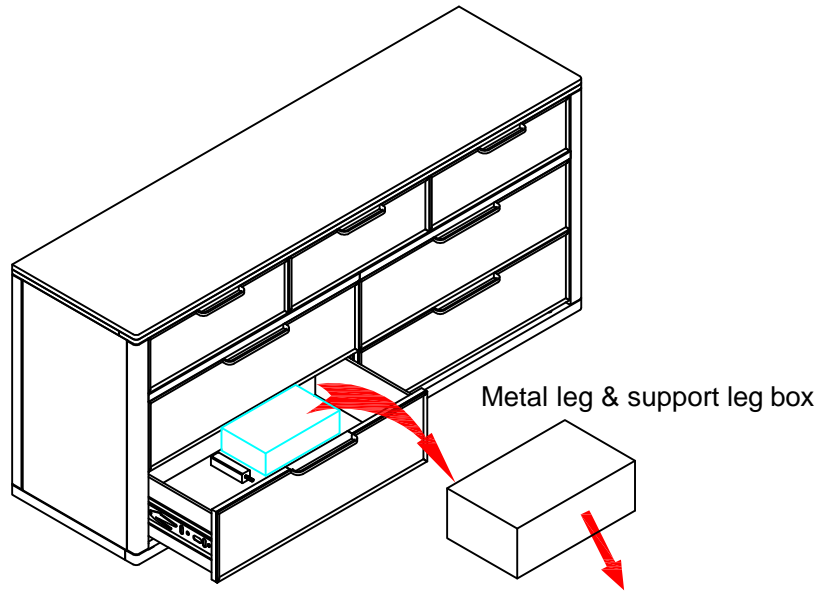


PHILLIPS SCREWDRIVER

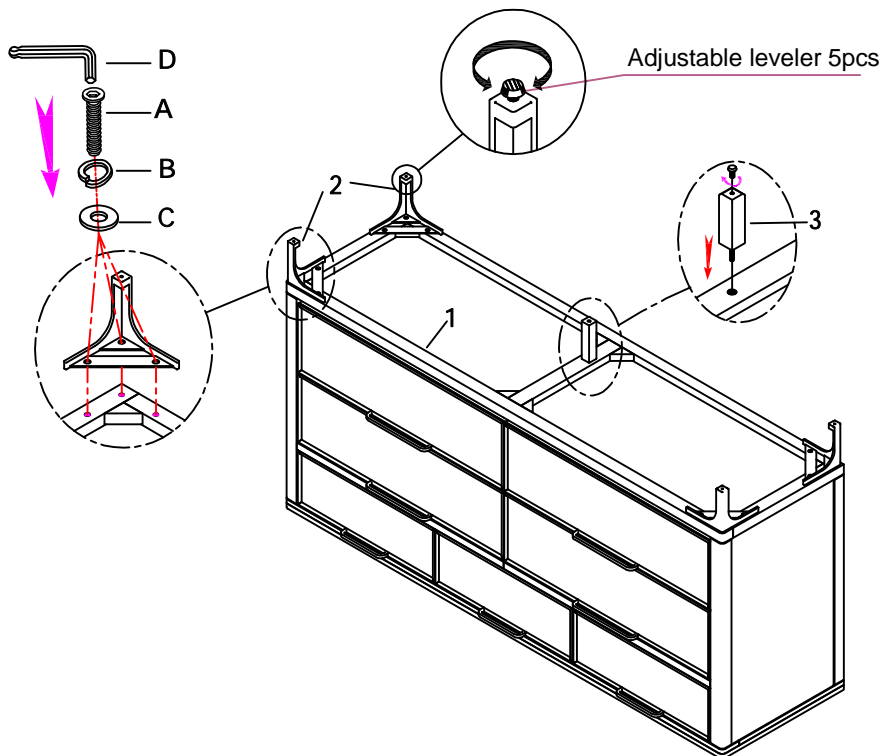
ASSEMBLY INSTRUCTIONS

ITEM 305-P323100S
DRESSER

STEP 2



STEP 2

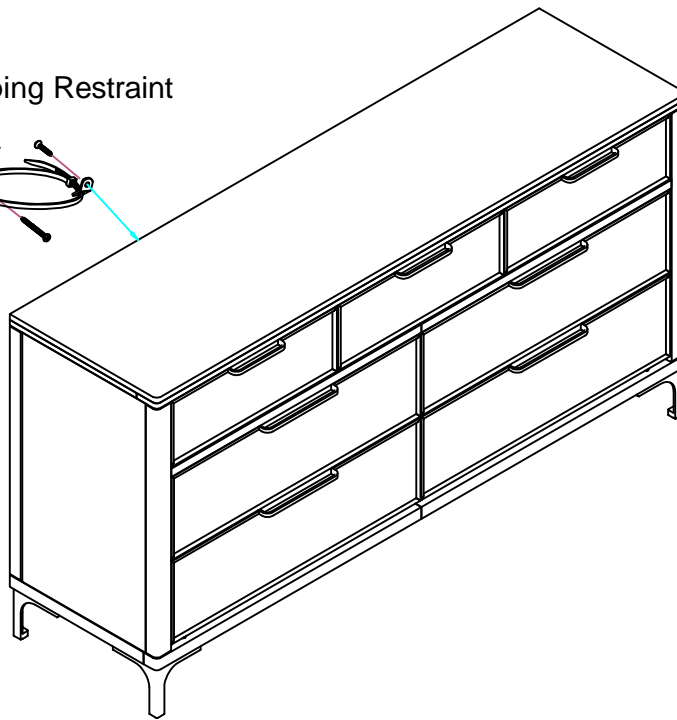
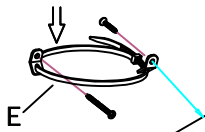


ASSEMBLY INSTRUCTIONS

ITEM 305-P323100S
DRESSER

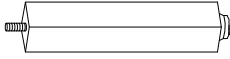
STEP 3

Anti-Tipping Restraint



REPLACEMENT PARTS

**ITEM 305-P323100S
DRESSER**



x1 RP323100 -CELEG-Center Support Leg



x1 RP323100 HWKIT-Hardware Kit



x7 COMGLIDE-12"-35-Glide12inch 35mm



x5 RC-FG BROWN- Brown Leveler



x1 RC-ANTI-TIP - Anti-Tipping Restraint