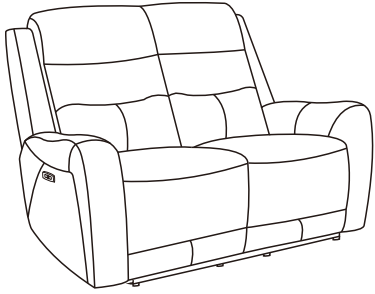
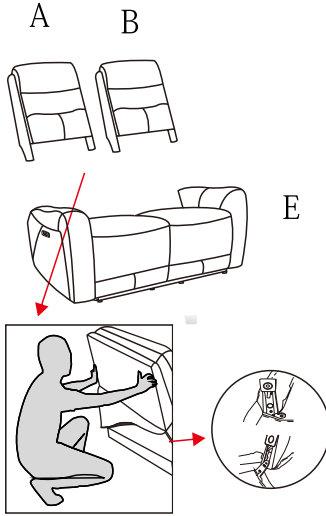


A	KMT.6130L-Dual power loveseat-Backrest 1	
B	KMT.6130L-Dual power loveseat-Backrest 2	
C	KMT.6130L-Dual power loveseat-LAF Wing	
D	KMT.6130L-Dual power loveseat-RAF Wing	
E	KMT.6130L-Dual power loveseat-Seat	

SKU 328058
THEO LEATHER RECLINING
LOVESEAT W/POWER HEADREST

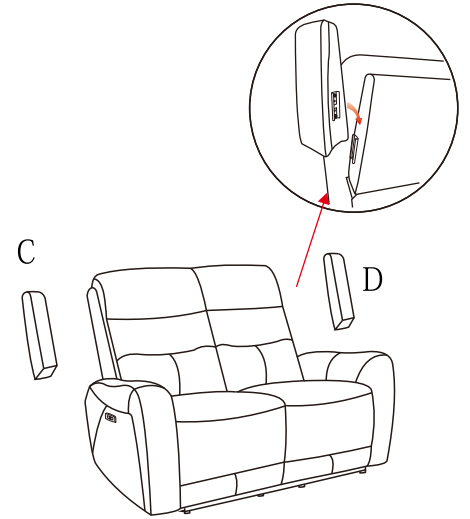


1



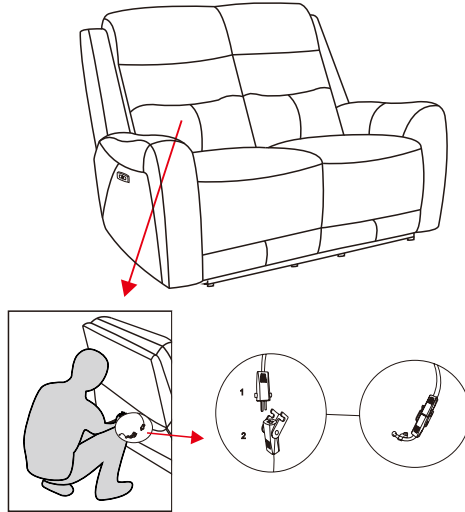
Fix the backrest by metal lock

2



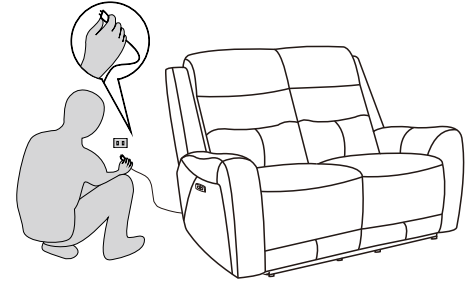
Fix the back wing by metal lock

3

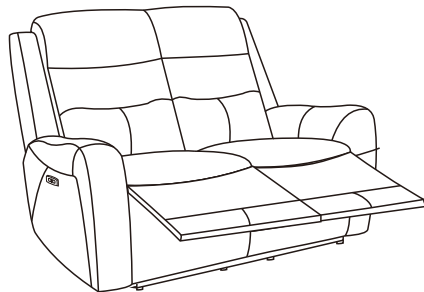


Connect the power plugs of each power unit

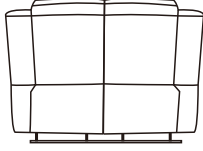
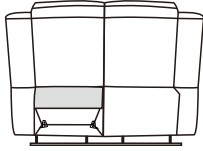
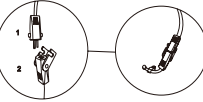
4



Connect the power cable for both sides when try to power on



Living Spaces Information	
LS SKU:	328058
LS Product Name:	THEO LEATHER RECLINING LOVESEAT W/POWER HEADREST
Vendor Model #:	KMT.6130L
Vendor Collection:	DUAL POWER RECLINING LOVESEAT

CODE		DESCRIPTION		QUANTITY	NOTES
1	power cord in US standard	POWER SOFA		1	
2	power cord in US standard	ONE PLUG FOR WHOLE SOFA		1	
3	power cord in US standard	ONE PLUG FOR POWER RECLING AND POWER HEADREST;		1	inside the bottom of power unit backrest