


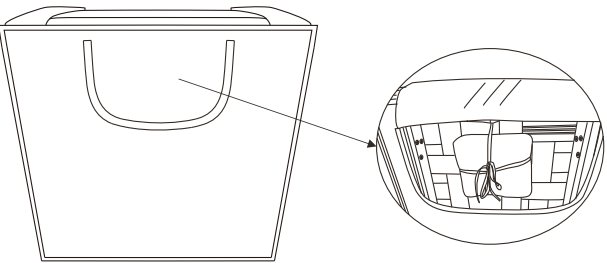
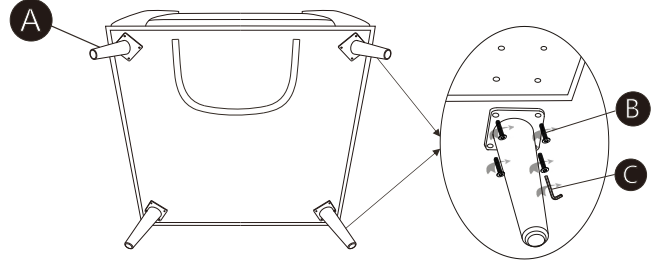


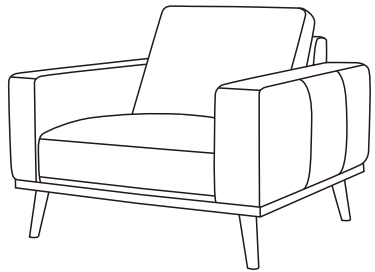
A	KA.090B-1(2A)-A Leg	 x 4
B	KA.090B-1(2A)-B Bolt	 x 16
C	KA.090B-1(2A)-C Allen key	 x1

1 Take out the leg package from underneath of the chair.

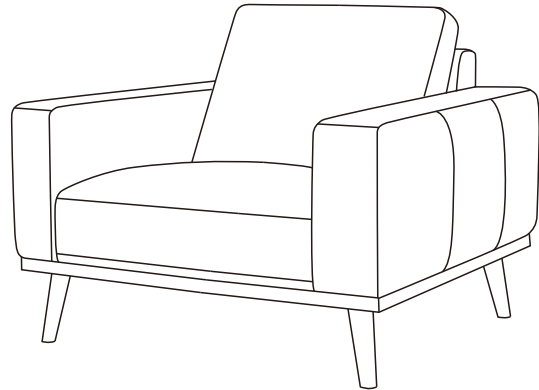



Attach the legs onto the chair as picture shown.

328025
CIARA CHAIR



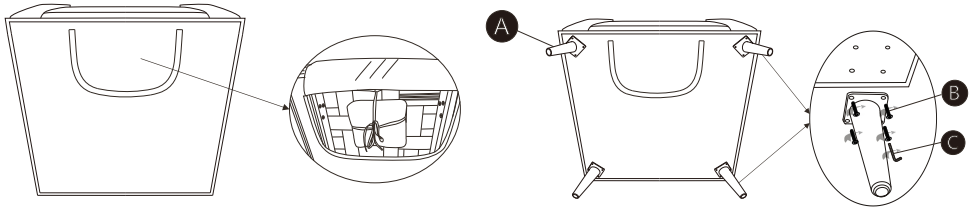
2 Completed!






Living Spaces Information	
LS SKU: 328025	
LS Product Name: CIARA CHAIR	
Vendor Model #: KA.090B-1(2A)	

CODE	PART#	DESCRIPTION	Qty
1	KA.090B-1(2A)-A	Leg	4
2	KA.090B-1(2A)-B	Bolt	16
3	KA.090B-1(2A)-C	Allen key	1

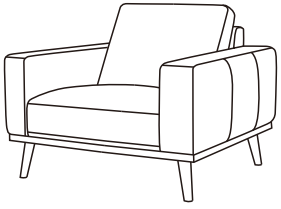
1 Take out the leg package from underneath of the chair.



Attach the legs onto the chair as picture shown.

A	KA.090B-1(2A)-A Leg	 x 4
B	KA.090B-1(2A)-B Bolt	 x 16
C	KA.090B-1(2A)-C Allen key	 x1

328025
CIARA CHAIR



2 Completed!

