



LIVING SPACES

Vendor Information	
Vendor Name:	LSMX1
Vendor Code:	V-005852

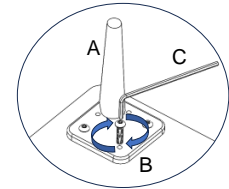
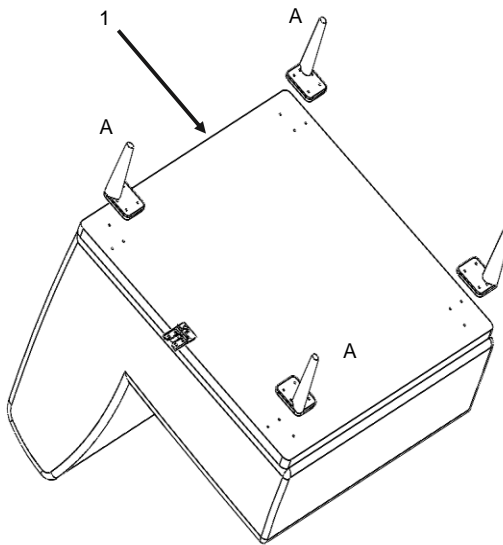
Living Space Information	
LS SKU:	328020
LS product Name:	KIT-KENAI PEARL 5PC SECTIONAL W/RAF CHAISE & OTTOMAN
Vendor Model #:	1988-5PCLAFCHCORARMCHRAFCOTTO-KE-PE
Vendor Collection:	KENAI

CODE	PART #	DESCRIPTION	SHIPS IN 48 HRS	QUANTITY	PRICING	NOTES
A	LEGMETKE	METAL LEG KENAI CHAIR BLK	YES	24		
B	SCW14114	1/4-20X1-1/4 SOCKET HEAD	YES	72		
C	ALLEN532	KEY ALLEN 5/32	YES	1		
D	SCREW112	6 x 1 1/2 PHIL BUGLE D/W BACK	YES	48		

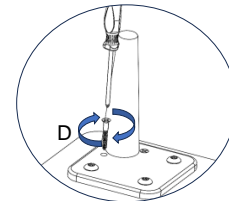
LIVING SPACES		
A	LEGMETKE	x24
B	SCW14114	x72
C	ALLEN532	x1
D	SCREW112	x48
1	LAF CHAIR KENAI	x1
2	RAF CHAISE KENAI	x1
3	CORNER KENAI	x1
4	ARMLESS CHAIR KENAI	x2
5	OTTOMAN KENAI	x1

STEP 1: PLACE LEGS

LAF CHAIR KENAI



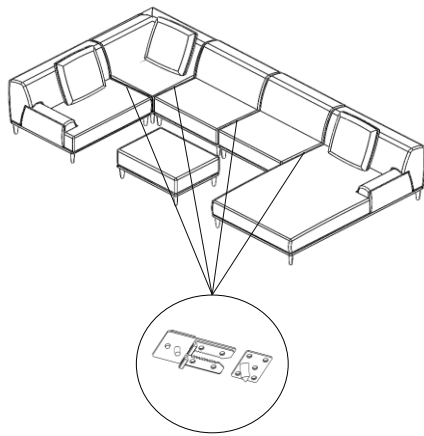
USE THE ALLEN WRENCH TO SCREW



USE A SCREWDRIVER TO ATTACH THE LEGS

\*REMOVE PILLOW

KIT-KENAI PEARL 5PC SECTIONAL W/RAF CHAISE & OTTOMAN

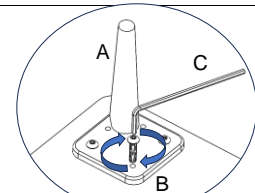
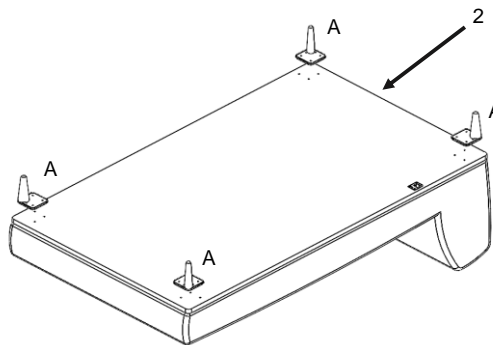


LAF CHAIR KENAI ALLIGATOR CLIP

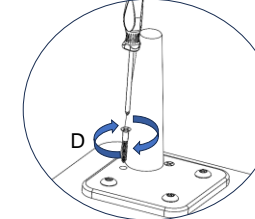
CORNER KENAI ALLIGATOR CLIPS (1 SET)

STEP 2: PLACE LEGS

RAF CHAISE KENAI



USE THE ALLEN WRENCH TO SCREW THE LEGS

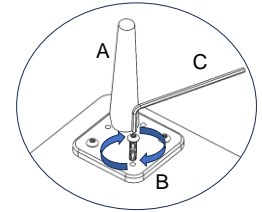
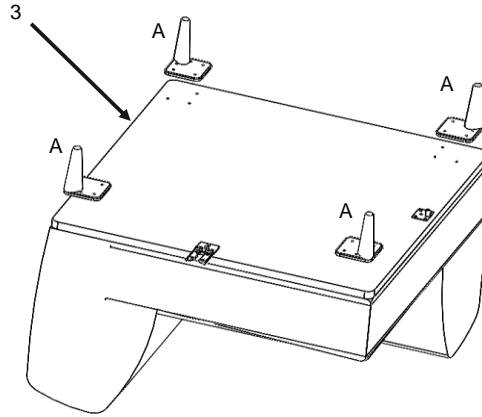


USE A SCREWDRIVER TO ATTACH THE LEGS

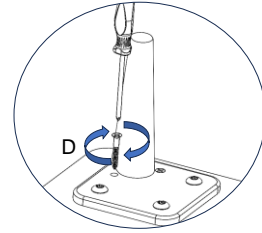
\*REMOVE PILLOW

STEP 3: PLACE LEGS

**CORNER KENAI**



USE THE ALLEN WRENCH TO SCREW

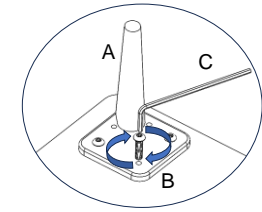
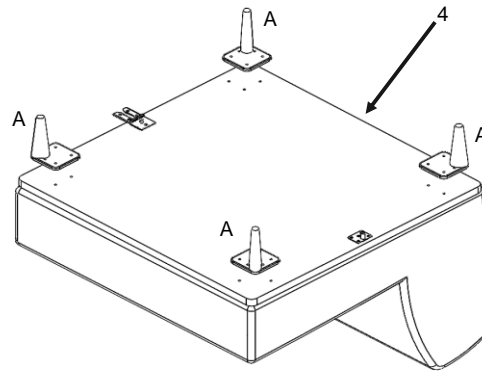


USE A SCREWDRIVER TO ATTACH THE LEGS

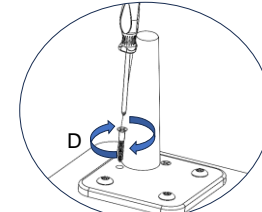
\*REMOVE PILLOW

STEP 4: PLACE LEGS

**ARMLESS CHAIR KENAI**



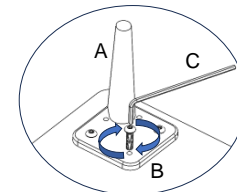
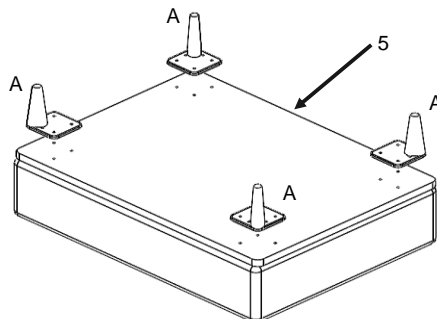
USE THE ALLEN WRENCH TO SCREW



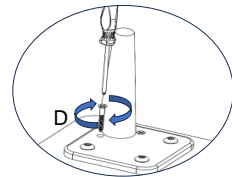
USE A SCREWDRIVER TO ATTACH THE LEGS

STEP 5: PLACE LEGS

**OTTOMAN KENAI**

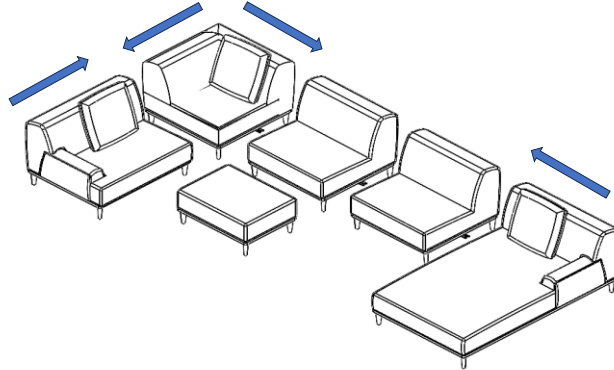


USE THE ALLEN WRENCH TO SCREW



USE A SCREWDRIVER  
TO ATTACH THE LEGS

STEP 6: JOIN SECTIONAL AND PLACE PILLOWS



KIT-KENAI PEARL 5PC SECTIONAL W/RAF CHAISE & OTTOMAN

