

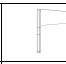



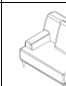
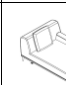

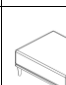


LIVING SPACES

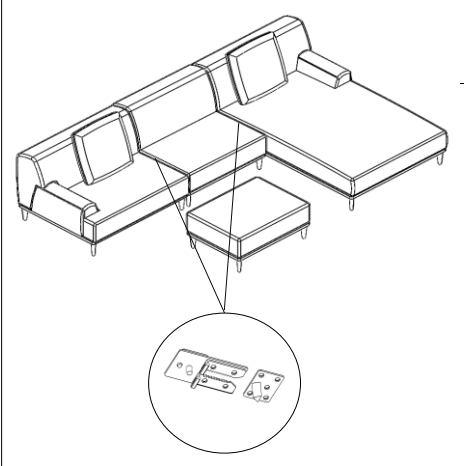
Vendor Information	
Vendor Name:	LSMX1
Vendor Code:	V-005852

Living Space Information	
LS SKU:	328017
LS product Name:	KIT-KENAI PEARL 3PC SECTIONAL W/RAF CHAISE & OTTOMAN
Vendor Model #:	1985-4PCRAFCHARMCHRAFCOTTO-KE-PEA
Vendor Collection:	KENAI

CODE	PART #	DESCRIPTION	SHIPS IN 48 HRS	QUANTITY	PRICING	NOTES
A	LEGMETKE	METAL LEG KENAI CHAIR BLK	YES	16		
B	SCW14114	1/4-20X1-1/4 SOCKET HEAD	YES	48		
C	ALLEN532	KEY ALLEN 5/32	YES	1		
D	SCREW112	6 x 1 1/2 PHIL BUGLE D/W BACK	YES	32		

		LIVING SPACES	
A	LEGMETKE		x 16
B	SCW14114		x 48
C	ALLEN532		x 1
D	SCREW112		x 32
1	LAF CHAIR KENAI		x1
2	RAF CHAISE KENAI		x1
3	ARMLESS CHAIR KENAI		x1
4	OTTOMAN KENAI		x1

KIT-KENAI PEARL 3PC SECTIONAL W/RAF CHAISE & OTTOMAN



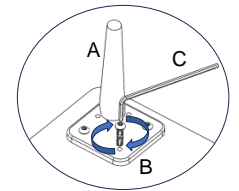
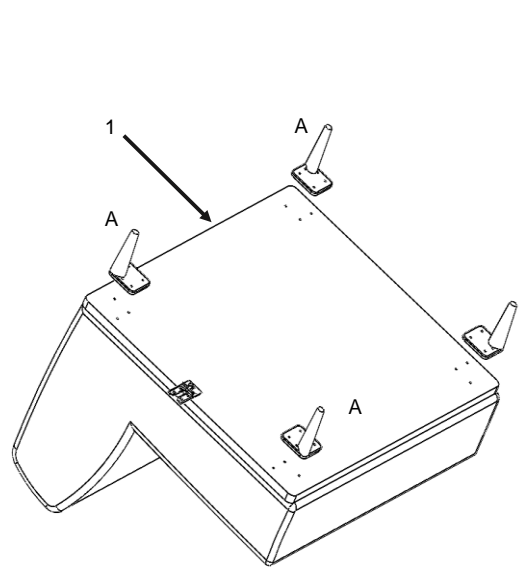
LAF CHAIR KENAI ALLIGATOR CLIP

ARMLESS CHAIR ALLIGATOR CLIPS (1 SET)

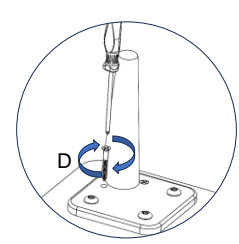
RAF CHAISE KENAI PEG CLIP

STEP 1: PLACE LEGS

LAF CHAIR KENAI



USE THE ALLEN WRENCH TO SCREW

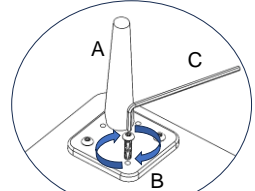
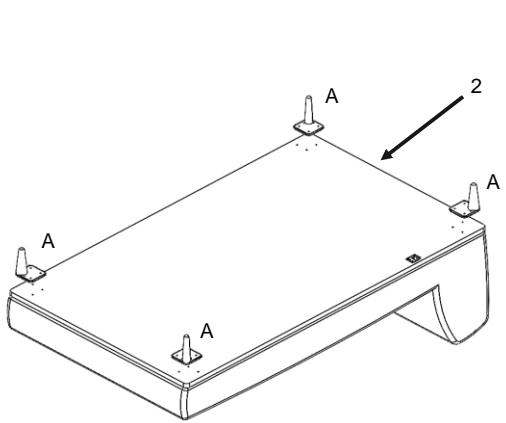


USE A SCREWDRIVER TO ATTACH THE LEGS

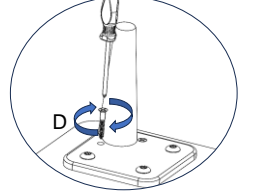
*REMOVE PILLOW

STEP 2: PLACE LEGS

RAF CHAISE KENAI



USE THE ALLEN WRENCH TO SCREW THE LEGS

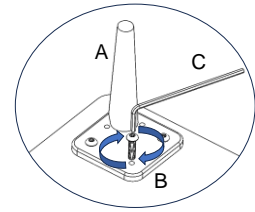
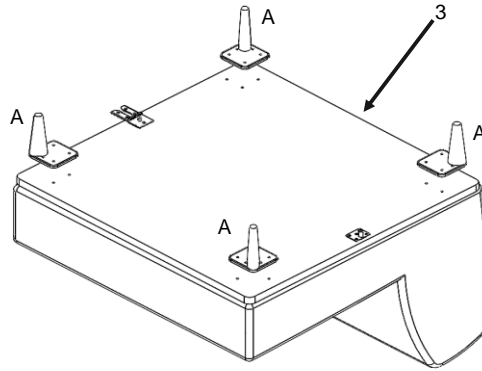


USE A SCREWDRIVER TO ATTACH THE LEGS

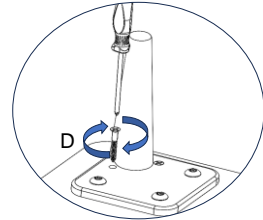
*REMOVE PILLOW

STEP 3: PLACE LEGS

ARMLESS CHAIR KENAI



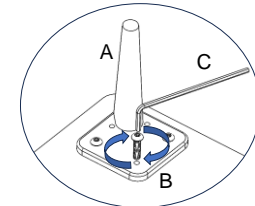
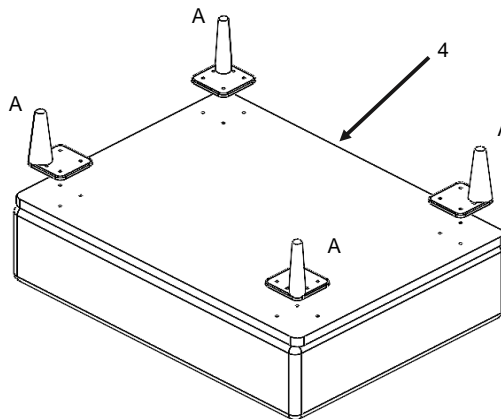
USE THE ALLEN WRENCH TO SCREW



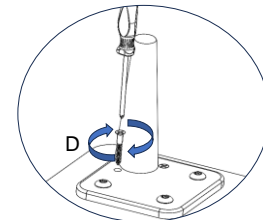
USE A SCREWDRIVER TO ATTACH THE LEGS

STEP 4: PLACE LEGS

OTTOMAN KENAI

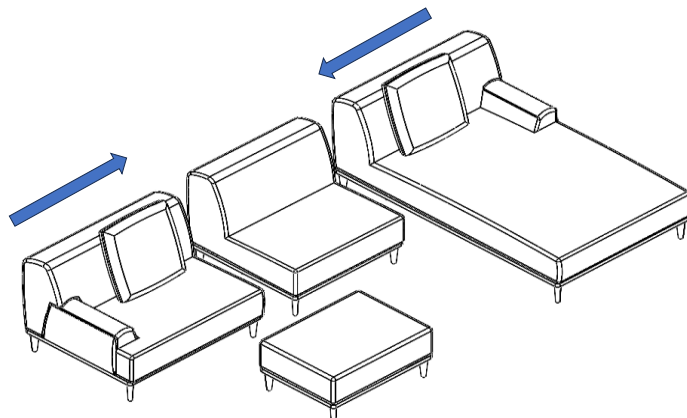


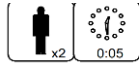
USE THE ALLEN WRENCH TO SCREW



USE A SCREWDRIVER TO ATTACH THE LEGS

STEP 5: JOIN SECTIONAL AND PLACE PILLOWS





U

KIT-KENAI PEARL 3PC SECTIONAL W/RAF CHAISE & OTTOMAN