



LIVING SPACES

Vendor Information

Vendor Name: LSMX1
Vendor Code: V-005852








Living Space Information

LS SKU: 328015
LS product Name: KIT-KENAI PEARL 2PC SECTIONAL W/RAF CHAISE & OTTOMAN
Vendor Model #: 1983-3PCLFCHRAFCOTTO-KE-PEA
Vendor Collection:KENAI

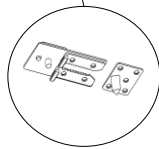
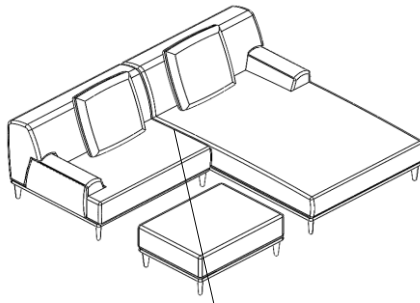
CODE	PART #	DESCRIPTION	SHIPS IN 48 HRS	QUANTITY	PRICING	NOTES
A	LEGMETKE	METAL LEG KENAI CHAIR BLK	YES	12		
B	SCW14114	1/4-20X1-1/4 SOCKET HEAD	YES	36		
C	ALLEN532	KEY ALLEN 5/32	YES	1		
D	SCREW112	6 x 1 1/2 PHIL BUGLE D/W BACK	YES	24		



LIVING SPACES

A	LEGMETKE	 x12
B	SCW14114	 x36
C	ALLEN532	 x1
D	SCREW112	 x24
1	LAF CHAIR KENAI	 x1
2	RAF CHAISE KENAI	 x1
3	OTTOMAN KENAI	 x1

KIT-KENAI PEARL 2PC SECTIONAL W/RAF CHAISE & OTTOMAN

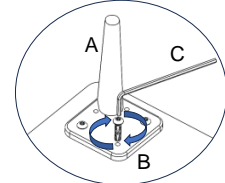
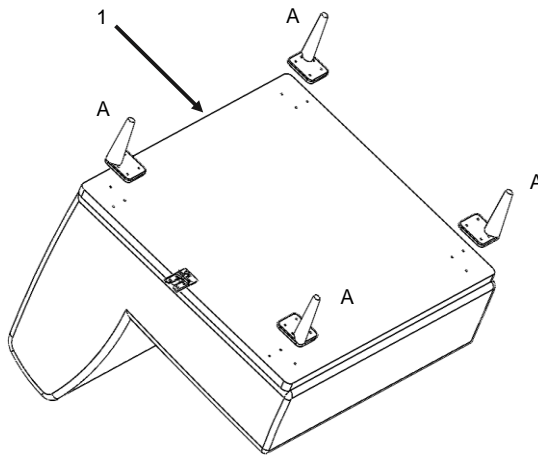


LAF CHAIR KENAI ALLIGATOR CLIP

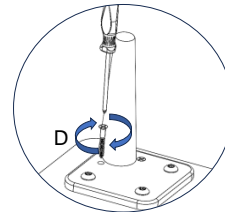
RAF CHAISE KENAI PEG CLIP

STEP 1: PLACE LEGS

LAF CHAIR KENAI



USE THE ALLEN WRENCH TO SCREW

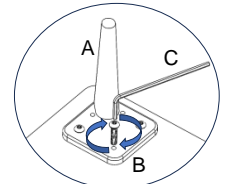
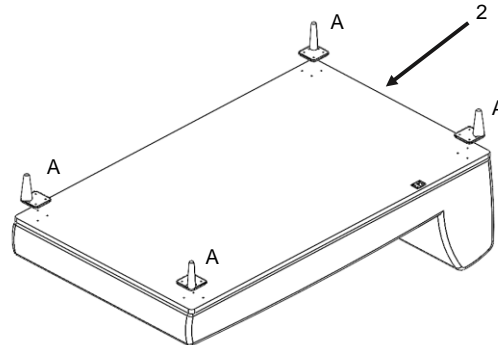


USE A SCREWDRIVER TO ATTACH THE LEGS

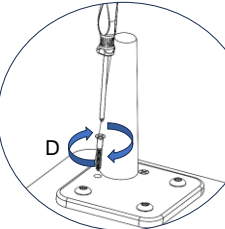
*REMOVE PILLOW

STEP 2: PLACE LEGS

RAF CHAISE KENAI



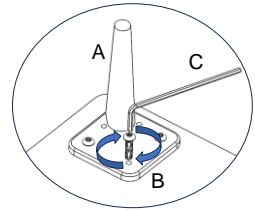
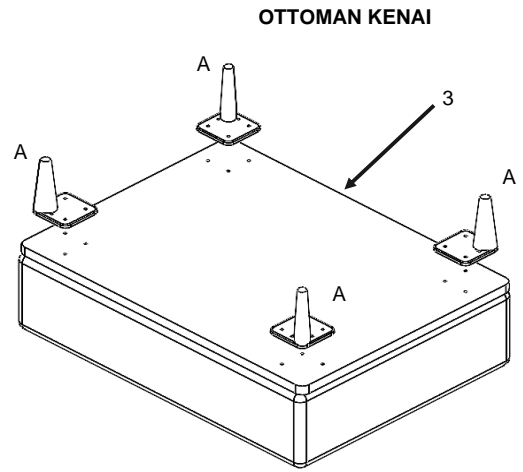
USE THE ALLEN WRENCH TO SCREW



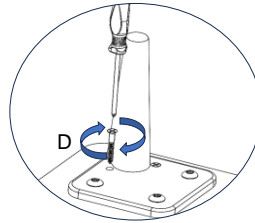
USE A SCREWDRIVER TO ATTACH THE LEGS

*REMOVE PILLOW

STEP 3: PLACE LEGS

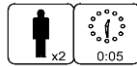
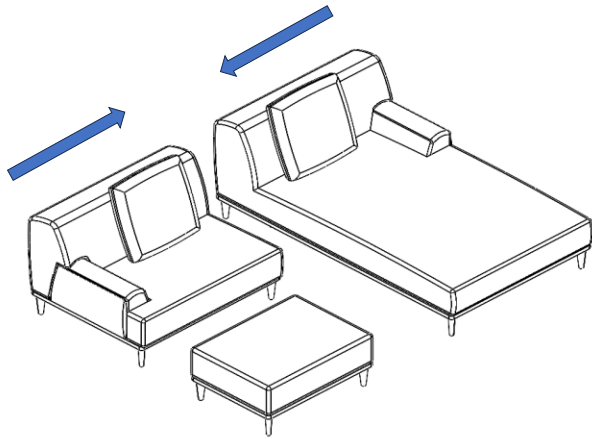


USE THE ALLEN WRENCH TO SCREW



USE A SCREWDRIVER TO ATTACH THE LEGS

STEP 4: JOIN SECTIONAL AND PLACE PILLOWS



KIT-KENAI PEARL 2PC SECTIONAL W/RAF CHAISE & OTTOMAN