



LIVING SPACES

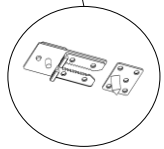
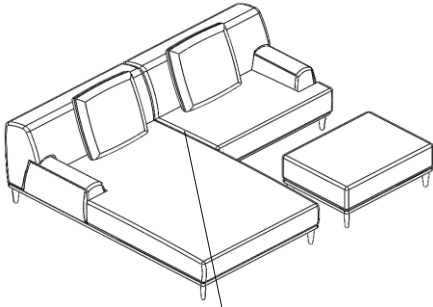
Vendor Information	
Vendor Name:	LSMX1
Vendor Code:	V-005852

Living Space Information	
LS SKU:	328014
LS product Name:	KIT-KENAI PEARL 2PC SECTIONAL W/LAF CHAISE & OTTOMAN
Vendor Model #:	1982-3PCLAFCRACHOTTO-KE-PEA
Vendor Collection:	KENAI

CODE	PART #	DESCRIPTION	SHIPS IN 48 HRS	QUANTITY	PRICING	NOTES
A	LEGMETKE	METAL LEG KENAI CHAIR BLK	YES	12		
B	SCW14114	1/4-20X1-1/4 SOCKET HEAD	YES	36		
C	ALLEN532	KEY ALLEN 5/32	YES	1		
D	SCREW112	6 x 1 1/2 PHIL BUGLE D/W BACK	YES	24		

		LIVING SPACES	
A	LEGMETKE		x12
B	SCW14114		x36
C	ALLEN532		x1
D	SCREW112		x24
1	RAF CHAIR KENAI		x1
2	LAF CHAISE KENAI		x1
3	OTTOMAN KENAI		x1

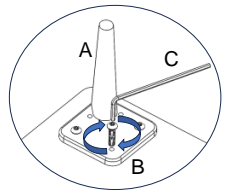
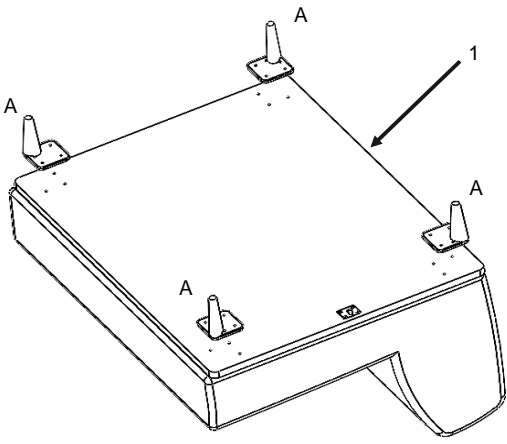
KIT-KENAI PEARL 2PC SECTIONAL W/LAF CHAISE & OTTOMAN



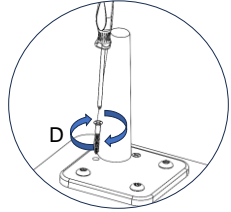
LAF CHAISE KENAI ALLIGATOR CLIP
RAF CHAIR KENAI PEG CLIP

STEP 1: PLACE LEGS

RAF CHAIR KENAI



USE THE ALLEN WRENCH TO SCREW

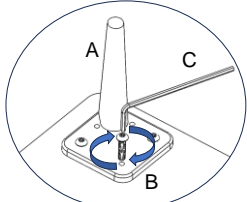
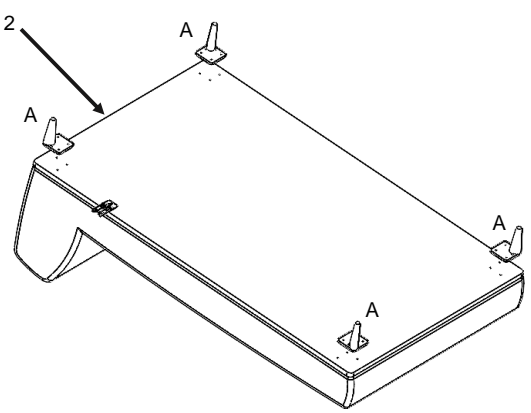


USE A SCREWDRIVER TO ATTACH THE LEGS

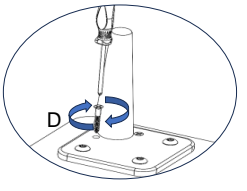
*REMOVE PILLOW

STEP 2: PLACE LEGS

LAF CHAISE KENAI



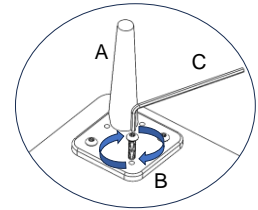
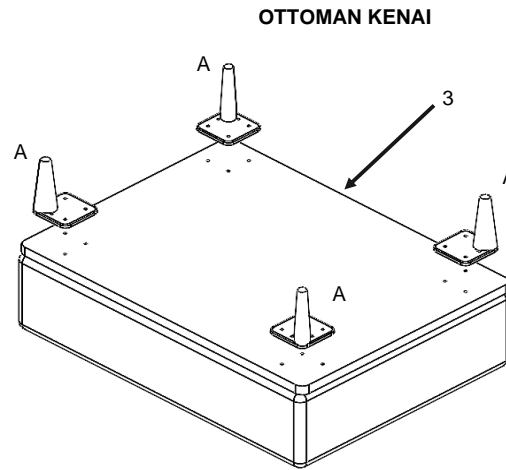
USE THE ALLEN WRENCH TO SCREW



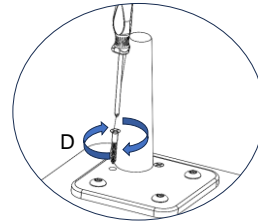
USE A SCREWDRIVER TO ATTACH THE LEGS

*REMOVE PILLOW

STEP 3: PLACE LEGS

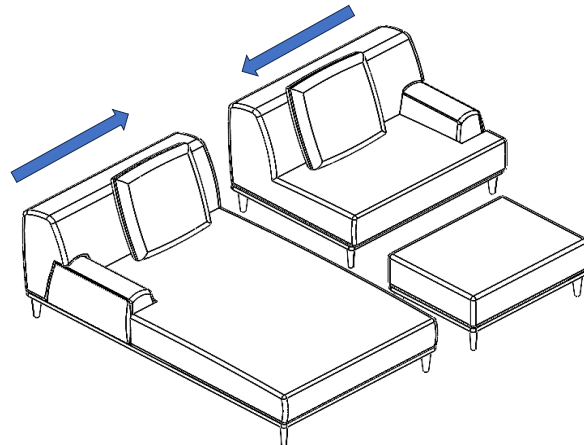


USE THE ALLEN WRENCH TO SCREW



USE A SCREWDRIVER TO ATTACH THE LEGS

STEP 4: JOIN SECTIONAL AND PLACE PILLOWS



KIT-KENAI PEARL 2PC SECTIONAL W/LAF CHAISE & OTTOMAN

