









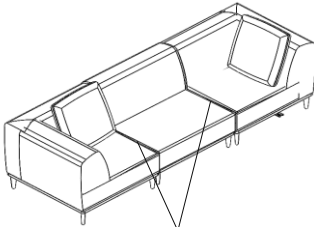
Vendor Information	
Vendor Name:	LSMX1
Vendor Code:	V-005852

Living Space Information	
LS SKU:	328011
LS product Name:	KIT-KENAI PEARL 3PC SOFA W/2 CORNERS, 1 ARMLESS CHAIR
Vendor Model #:	1979-3PCCORARMCH-KE-PEA
Vendor Collection:	KENAI

CODE	PART #	DESCRIPTION	SHIPS IN 48 HRS	QUANTITY	PRICING	NOTES
A	LEGMETKE	METAL LEG KENAI CHAIR BLK	YES	12		
B	SCW14114	1/4-20X1-1/4 SOCKET HEAD	YES	36		
C	ALLEN532	KEY ALLEN 5/32	YES	1		
D	SCREW112	6 x 1 1/2 PHIL BUGLE D/W BACK	YES	24		

		LIVING SPACES	
A	LEGMETKE		x 12
B	SCW14114		x 36
C	ALLEN532		x 1
D	SCREW112		x 24
1	CORNER KENAI		x2
2	ARMLESS CHAIR KENAI		x1

KIT-KENAI PEARL 3PC SOFA W/2 CORNERS,  
1 ARMLESS CHAIR

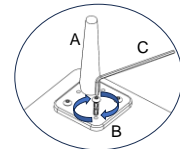
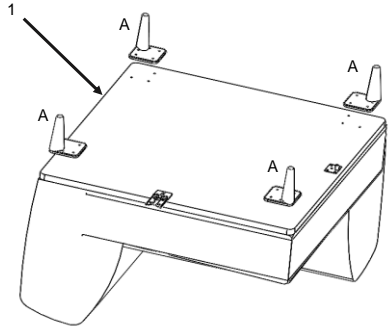


CORNER KENAI ALLIGATOR CLIPS ( 2 SET)

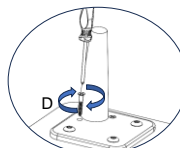
ARMLESS CHAIR KENAI ALLIGATOR CLIPS ( 1 SET)

STEP 1: PLACE LEGS

CORNER KENAI X2



USE THE ALLEN WRENCH TO SCREW

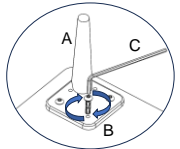
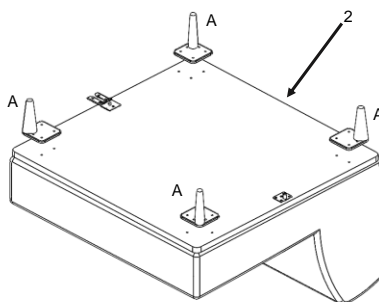


USE A SCREWDRIVER TO ATTACH THE LEGS

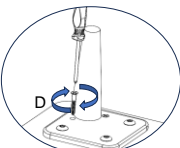
\*REMOVE PILLOW

STEP 2: PLACE LEGS

ARMLESS CHAIR KENAI

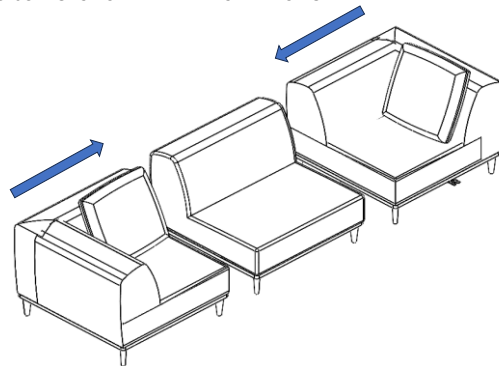


USE THE ALLEN WRENCH TO SCREW



USE A SCREWDRIVER TO ATTACH THE LEGS

STEP 3: JOIN SECTIONAL AND PLACE PILLOWS



KIT-KENAI PEARL 2PC LOVESEAT W/2 CORNERS

