

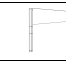






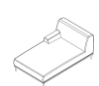


LIVING SPACES

Vendor Information	
Vendor Name:	LSMX1
Vendor Code:	V-005852

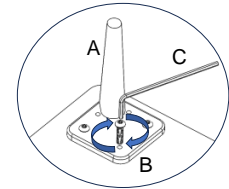
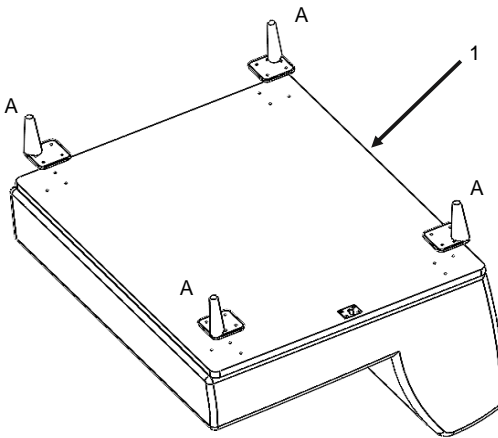
Living Space Information	
LS SKU:	328009
LS product Name:	KIT-KENAI PEARL 5PC SECTIONAL W/LAF CHAISE
Vendor Model #:	1977-5PCRAFCHCORARMCHLAFC-KE-PEA
Vendor Collection:	KENAI

CODE	PART #	DESCRIPTION	SHIPS IN 48 HRS	QUANTITY	PRICING	NOTES
A	LEGMETKE	METAL LEG KENAI CHAIR BLK	YES	20		
B	SCW14114	1/4-20X1-1/4 SOCKET HEAD	YES	60		
C	ALLEN532	KEY ALLEN 5/32	YES	1		
D	SCREW112	6 x 1 1/2 PHIL BUGLE D/W BACK	YES	40		

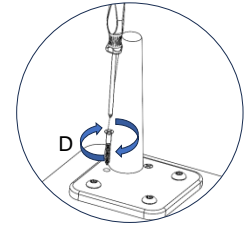
		LIVING SPACES	
A	LEGMETKE		x20
B	SCW14114		x60
C	ALLEN532		x1
D	SCREW112		x40
1	RAF CHAIR KENAI		x1
2	CORNER KENAI		x1
3	ARMLESS CHAIR KENAI		x2
4	LAF CHAISE KENAI		x1

STEP 1: PLACE LEGS

RAF CHAIR KENAI

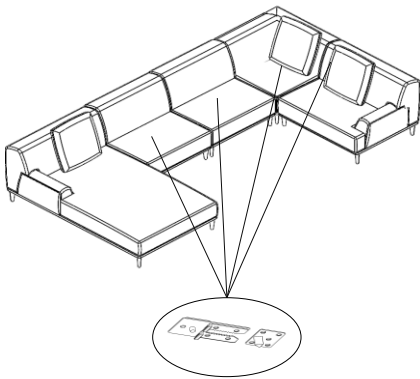


USE THE ALLEN WRENCH TO SCREW



USE A SCREWDRIVER TO ATTACH THE LEGS

KIT-KENAI PEARL 5PC SECTIONAL W/LAF CHAISE



X4 LAF CHAISE KENAI ALLIGATOR CLIP

CORNER KENAI ALLIGATOR CLIPS (1 SET)

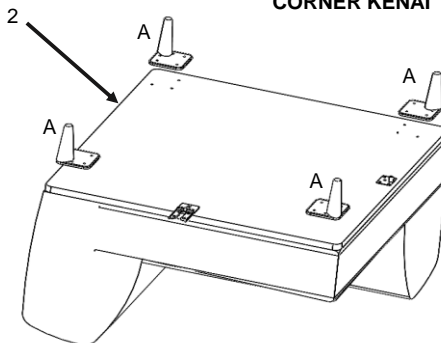
ARMLESS CHAIR KENAI ALLIGATOR CLIPS (2 SET)

RAF CHAIR KENAI PEG CLIP

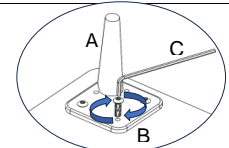
\*REMOVE PILLOW

STEP 2: PLACE LEGS

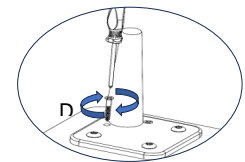
CORNER KENAI



\*REMOVE PILLOW



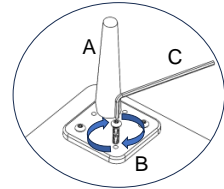
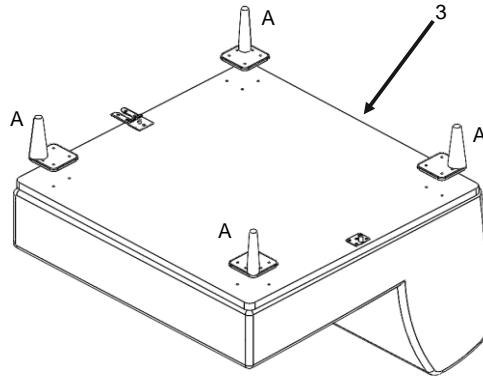
USE THE ALLEN WRENCH TO SCREW



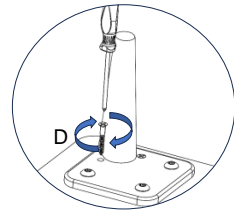
USE A SCREWDRIVER TO ATTACH THE LEGS

STEP 3: PLACE LEGS

ARMLESS CHAIR KENAI X2



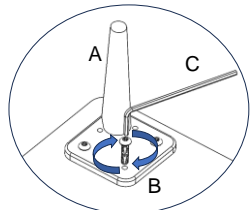
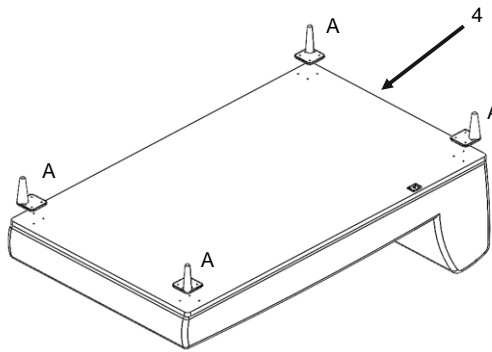
USE THE ALLEN WRENCH TO SCREW



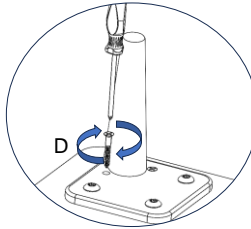
USE A SCREWDRIVER TO ATTACH THE LEGS

STEP 4: PLACE LEGS

LAF CHAISE KENAI



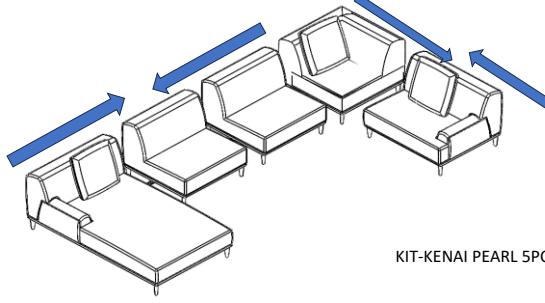
USE THE ALLEN WRENCH TO SCREW



USE A SCREWDRIVER TO ATTACH THE LEGS

\*REMOVE PILLOW

STEP 5: JOIN SECTIONAL AND PLACE PILLOWS



KIT-KENAI PEARL 5PC SECTIONAL W/LAF CHAISE

