



LIVING SPACES

Vendor Information

Vendor Name: LSMX1
Vendor Code: V-005852

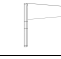







Living Space Information

LS SKU: 328007
LS product Name: KIT-KENAI PEARL 4PC SECTIONAL W/LAF CHAISE
Vendor Model #: 1975-4PCRAFCHCORARMCHLAFC-KE-PEA
Vendor Collection:KENAI

CODE	PART #	DESCRIPTION	SHIPS IN 48 HRS	QUANTITY	PRICING	NOTES
A	LEGMETKE	METAL LEG KENAI CHAIR BLK	YES	16		
B	SCW14114	1/4-20X1-1/4 SOCKET HEAD	YES	48		
C	ALLEN532	KEY ALLEN 5/32	YES	1		
D	SCREW112	6 x 1 1/2 PHIL BUGLE D/W BACK	YES	32		

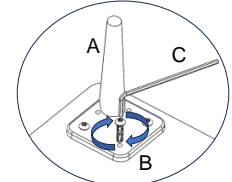
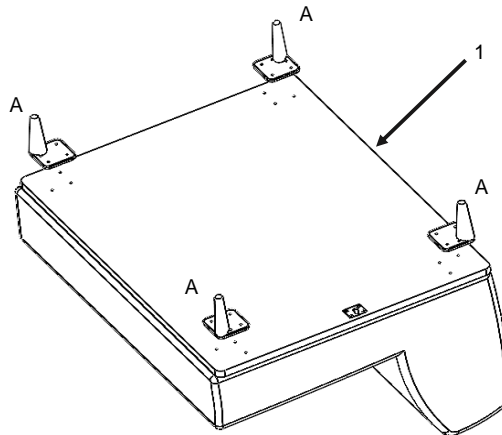


LIVING SPACES

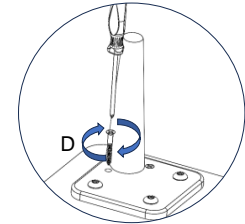
A	LEGMETKE	 x16
B	SCW14114	 x48
C	ALLEN532	 x1
D	SCREW112	 x32
1	RAF CHAIR KENAI	 x1
2	CORNER KENAI	 x1
3	ARMLESS CHAIR KENAI	 x1
4	LAF CHAISE KENAI	 x1

STEP 1: PLACE LEGS

RAF CHAIR KENAI



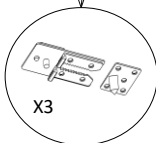
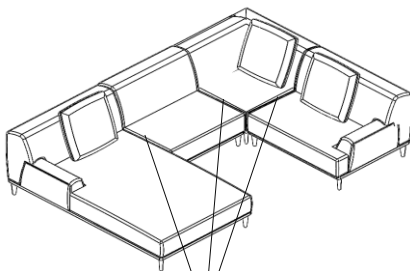
USE THE ALLEN WRENCH TO SCREW



USE A SCREWDRIVER TO ATTACH THE LEGS

*REMOVE PILLOW

KIT-KENAI PEARL 4PC SECTIONAL W/LAF CHAISE



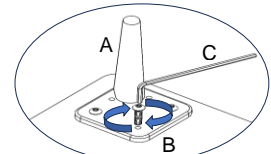
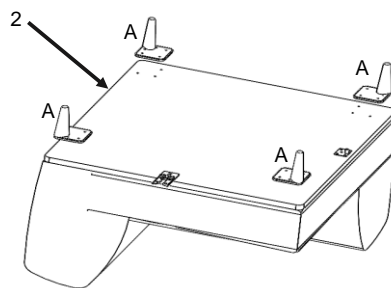
LAF CHAISE KENAI ALLIGATOR CLIP

CORNER KENAI ALLIGATOR CLIPS (1 SET)

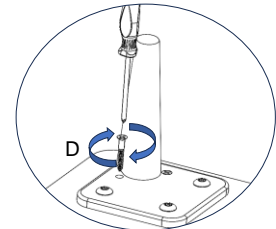
ARMLESS CHAIR KENAI ALLIGATOR CLIPS (1 SET)

STEP 2: PLACE LEGS

CORNER KENAI



USE THE ALLEN WRENCH TO SCREW

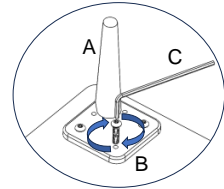
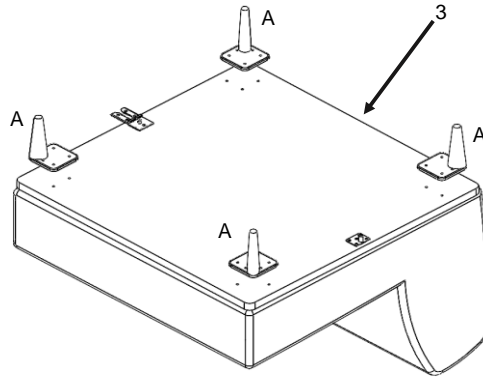


USE A SCREWDRIVER TO ATTACH THE LEGS

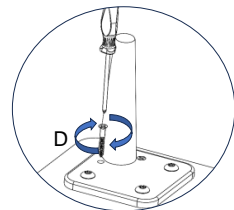
*REMOVE PILLOW

STEP 3: PLACE LEGS

ARMLESS CHAIR KENAI



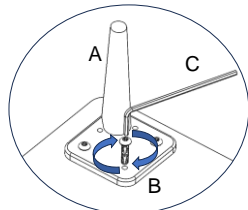
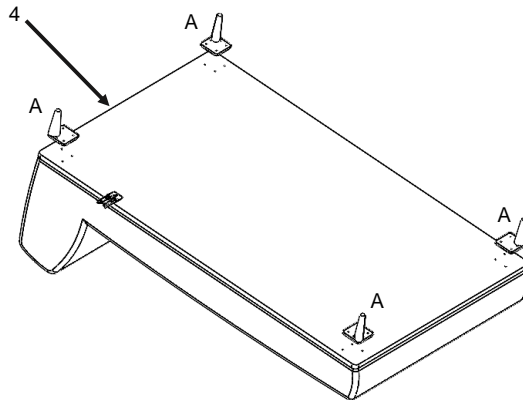
USE THE ALLEN WRENCH TO SCREW



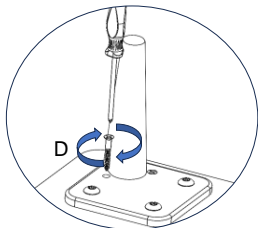
USE A SCREWDRIVER TO ATTACH THE LEGS

STEP 4: PLACE LEGS

LAF CHAISE KENAI



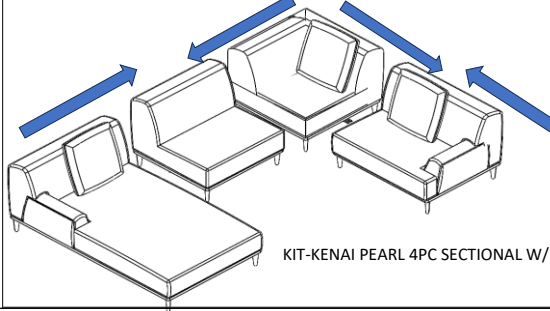
USE THE ALLEN WRENCH TO SCREW



USE A SCREWDRIVER TO ATTACH THE LEGS

*REMOVE PILLOW

STEP 5: JOIN SECTIONAL AND PLACE PILLOWS



KIT-KENAI PEARL 4PC SECTIONAL W/LAF CHAISE

