



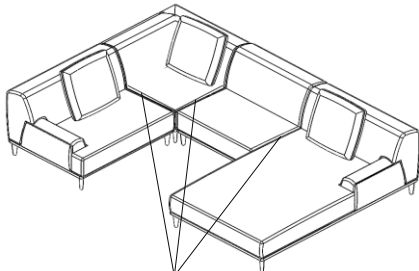
Vendor Information
Vendor Name: LSMX1
Vendor Code: V-005852

Living Space Information
LS SKU: 328006
LS product Name: KIT-KENAI PEARL 4PC SECTIONAL W/RAF CHAISE
Vendor Model #: 1974-4PCLAFCHCORARMCHRAFC-KE-PEA
Vendor Collection:KENAI

CODE	PART #	DESCRIPTION	SHIPS IN 48 HRS	QUANTITY	PRICING	NOTES
A	LEGMETKE	METAL LEG KENAI CHAIR BLK	YES	16		
B	SCW14114	1/4-20X1-1/4 SOCKET HEAD	YES	48		
C	ALLEN532	KEY ALLEN 5/32	YES	1		
D	SCREW112	6 x 1 1/2 PHIL BUGLE D/W BACK	YES	32		

A	LEGMETKE		x16
B	SCW14114		x48
C	ALLEN532		x1
D	SCREW112		x32
1	LAF CHAIR KENAI		x1
2	CORNER KENAI		x1
3	ARMLESS CHAIR KENAI		x1
4	RAF CHAISE KENAI		x1

KIT-KENAI PEARL 4PC SECTIONAL W/RAF CHAISE



LAF CHAIR KENAI ALLIGATOR CLIP

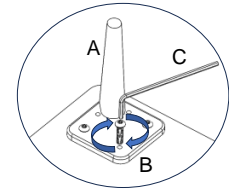
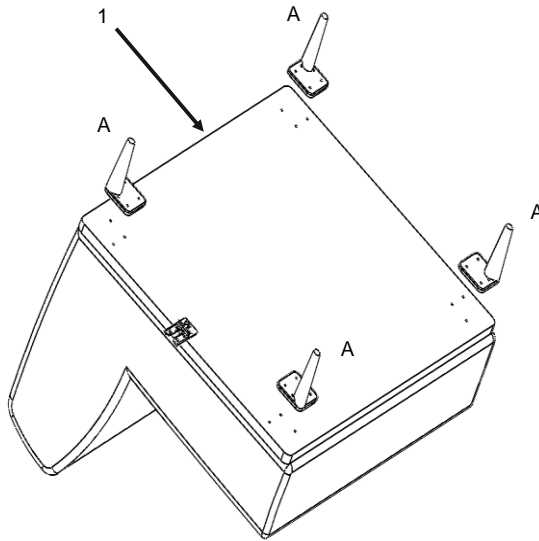
CORNER KENAI ALLIGATOR CLIPS (1 SET)

ARMLESS CHAIR KENAI ALLIGATOR CLIPS (1 SET)

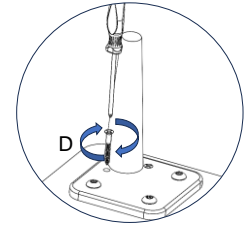
RAF CHAISE KENAI PEG CLIP

STEP 1: PLACE LEGS

LAF CHAIR KENAI



USE THE ALLEN WRENCH TO SCREW

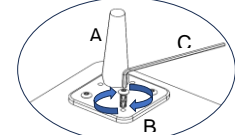
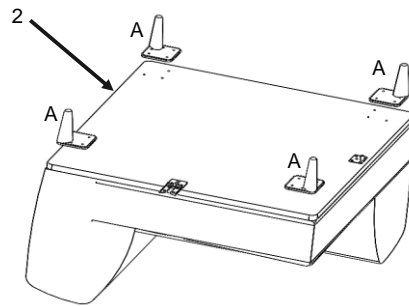


USE A SCREWDRIVER TO ATTACH THE LEGS

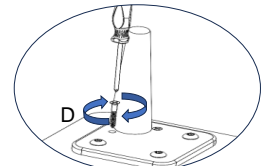
*REMOVE PILLOW

STEP 2: PLACE LEGS

CORNER KENAI



USE THE ALLEN WRENCH TO SCREW

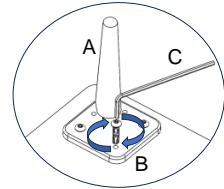
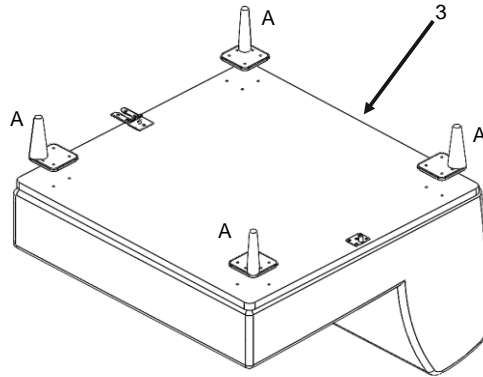


USE A SCREWDRIVER TO ATTACH THE LEGS

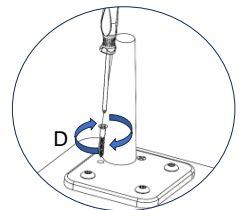
*REMOVE PILLOW

STEP 3: PLACE LEGS

ARMLESS CHAIR KENAI



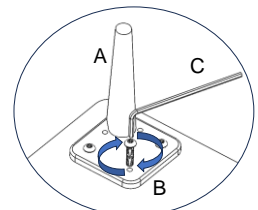
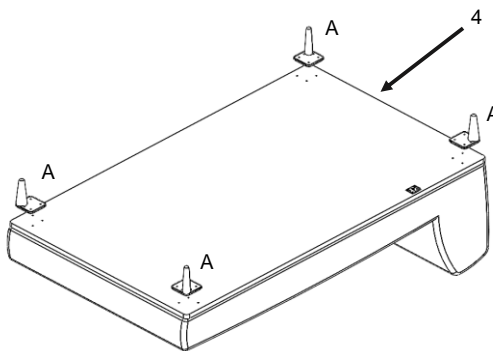
USE THE ALLEN WRENCH TO SCREW



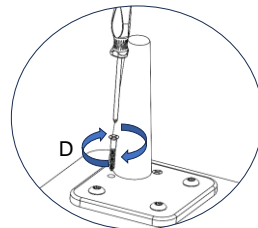
USE A SCREWDRIVER TO ATTACH THE LEGS

STEP 4: PLACE LEGS

RAF CHAISE KENAI



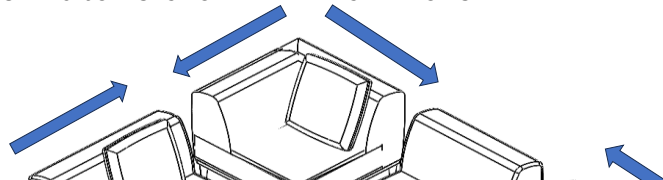
USE THE ALLEN WRENCH TO SCREW

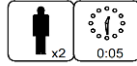
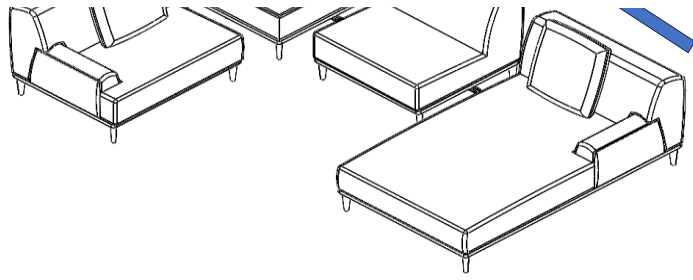


USE A SCREWDRIVER TO ATTACH THE LEGS

*REMOVE PILLOW

STEP 5: JOIN SECTIONAL AND PLACE PILLOWS





KIT-KENAI PEARL 4PC SECTIONAL W/RAF CHAISE