

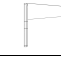







Vendor Information	
Vendor Name:	LSMX1
Vendor Code:	V-005852

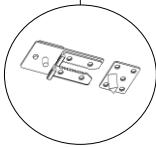
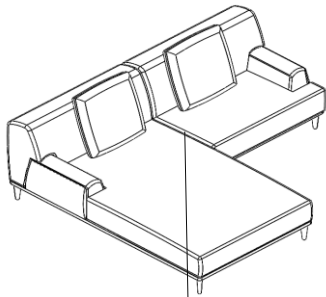
Living Space Information	
LS SKU:	328000
LS product Name:	KIT-KENAI PEARL 2PC SECTIONAL W/LAF CHAISE
Vendor Model #:	1968-2PCLAFCRACH-KE-PEA
Vendor Collection:	KENAI

CODE	PART #	DESCRIPTION	SHIPS IN 48 HRS	QUANTITY	PRICING	NOTES
A	LEGMETKE	METAL LEG KENAI CHAIR BLK	YES	8		
B	SCW14114	1/4-20X1-1/4 SOCKET HEAD	YES	24		
C	ALLEN532	KEY ALLEN 5/32	YES	1		
D	SCREW112	6 x 1 1/2 PHIL BUGLE D/W BACK	YES	16		



A	LEGMETKE	 x 8
B	SCW14114	 x 24
C	ALLEN532	 x 1
D	SCREW112	 x 16
1	LAF CHAISE KENAI	 x 1
2	RAF CHAIR KENAI	 x 1

KIT-KENAI PEARL 2PC SECTIONAL W/LAF CHAISE

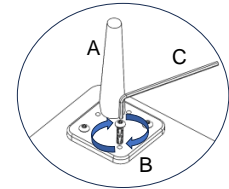
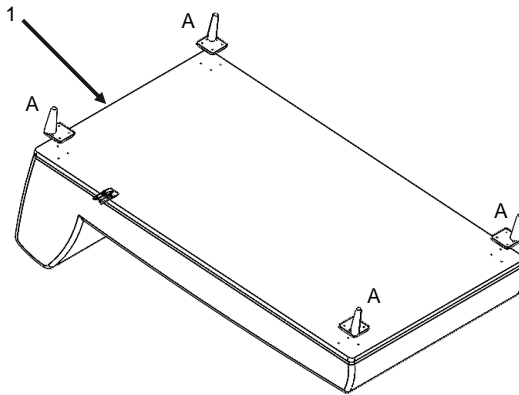


LAF CHAISE KENAI ALLIGATOR CLIP

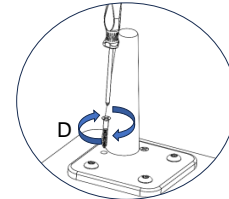
RAF CHAIR KENAI PEG CLIP

STEP 1: PLACE LEGS

LAF CHAISE KENAI



USE THE ALLEN WRENCH TO SCREW

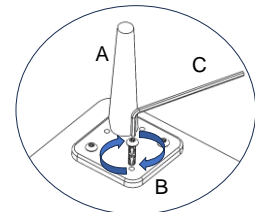
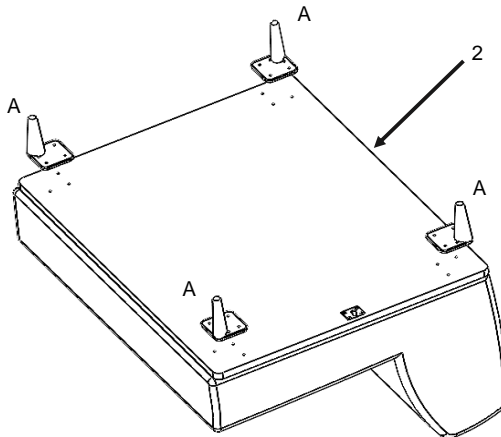


USE A SCREWDRIVER TO ATTACH THE LEGS

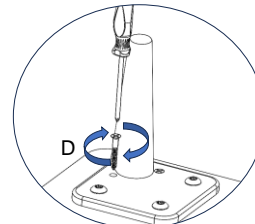
\*REMOVE PILLOW

STEP 2: PLACE PILLOW

RAF CHAIR KENAI



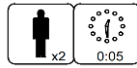
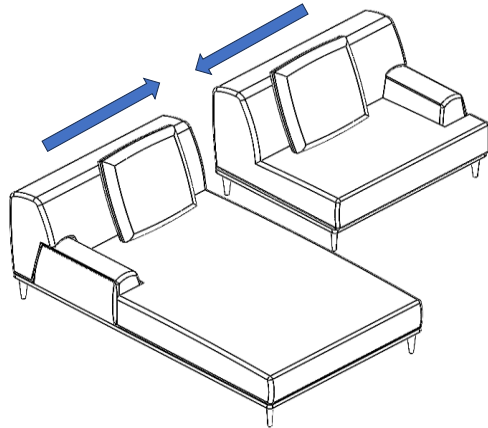
USE THE ALLEN WRENCH TO SCREW



USE A SCREWDRIVER TO ATTACH THE LEGS

\*REMOVE PILLOW

STEP 3: JOIN SECTIONAL AND PLACE PILLOWS



KIT-KENAI PEARL 2PC SECTIONAL W/LAF CHAISE