



LIVING SPACES

OWNER'S MANUAL

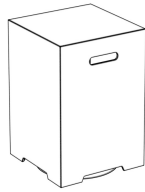


Scan QR code to view assembly video

327953 BERLIN LOW CONCRETE OUTDOOR RECTANGULAR FIREPIT WITH PROPANE TANK COVER



Box 1: 327954 Firepit



Box 2: 327952 Tank Cover



COMPLIANT FOR FORMALDEHYDE Outdoor Decorative Gas Fireplaces.

▲ WARNING

USE PROPANE GAS ONLY!
Do not store or use gasoline or other flammable vapors in the vicinity of this or any other appliance.
All service must be performed by a qualified gas technician installer.

▲ WARNING

For use with cylinders marked PROPANE only.
Do not connect to a remote gas supply.
If the fire bowl is stored indoors, detach and leave propane cylinder outdoors.

▲ WARNING

For Outdoor Use Only!
Use Propane Gas Only!
Propane cylinders sold separately.

▲ WARNING

Improper installation, adjustment, alteration service or maintenance can cause injury or property damage. Read the owner's manual thoroughly before installing using or servicing this equipment. If the information in this manual is not followed exactly, a fire or explosion may result causing property damage, personal injury or loss of life.

▲ WARNING

USE PROPANE GAS ONLY!

▲ DANGER

If you smell gas:
1. Shut off gas to the appliance.
2. Extinguish any open flame.
3. If odor continues keep away from the appliance and immediately call your gas supplier or fire department.

▲ WARNING

This fire bowl must be attended at all times!

▲ WARNING

An LP-cylinder not connected for use shall not be stored in the vicinity of this or any other appliance.

▲ DANGER



CARBON MONOXIDE HAZARD

This appliance can produce carbon monoxide which has no odor.

Using it in an enclosed space can kill you.

Never use this appliance in an enclosed space such as a camper, tent, car or home.

▲ DANGER

Failure to follow the Dangers, Warnings and Cautions contained in this Owner's Manual may result in serious bodily injury or death, or in a fire or an explosion causing damage to property.

▲ WARNING

***Do not use this firebowl for cooking.**

WARNING

***Remove the PVC cover from the fire bowl before opening the appliance.**

***Do not lay the PVC cover over the fire bowl until it is turned off and completely cooled down.**

***Do not burn any other materials than are supplied with and intended for use in this fire bowl.**

***Do not pour water into fire bowl.**

***The installation of this product must conform with local codes or, in the absence of local codes, with either the National Fuel Gas Code, ANSI Z223.1/NFPA54, OR CAN/CGA-B149.1, National Gas and Propane Installation Code.**

***Do not use this fire bowl if any part has been under water.**

***Do not store a spare or disconnected propane cylinder under or near this fire bowl.**

***After a period of storage, and/or non use, the propane fire bowl should be checked for gas leaks and burner obstructions before use.**

***Do not operate the propane fire bowl if there is a gas leak present.**

***Never use a flame to check for gas leaks.**

***Combustible materials should never be within 48 inches of the top, back or sides of your propane fire bowl.**

***Do not put any other fireplace cover or anything flammable on, or beneath the fire bowl.**

***The propane fire bowl should never be used by children.**

Children must be supervised when they are anywhere near the appliance.

***Users should be alerted to the hazards of high surface temperatures and keep a safe distance to avoid burning or clothing ignition.**

***Pay attention when operating the fire bowl. It is hot in use and should never be left unattended.
Do not transit it while in operation.**

***Should fire go out while burning, turn the gas valve off.**

Follow the instruction and wait five minutes before attempting to relight.

***Never use charcoal or any other solid fuel in the fire bowl.**

Never parch clothing or other flammable materials on or near the fire bowl.

***Never lean over the open fire bowl or place hands or fingers on the upper portion of an operational unit.**

***Keep ventilation openings in cylinder enclosure(FIREBOWL BODY) free and clear of debris.**

***Inspect the burner before each use of the appliance. If there is evidence of damage, the burner must be replaced prior to the appliance being put into operation.**

Use Manufacturer approved or supplied replacement burner only.

***Do not rest feet on the fire bowl.**

***Please take out the battery when not using the fire bowl for an extended length of time.**

***Do not enlarge valve orifices or burner ports when cleaning the valve or burner.**

***Cylinder supply system must be arranged for vapor withdrawal.**

***Propane Tank used must include a collar to protect the cylinder valve.**

***Never fill the cylinder beyond 80% full.**

SAFETY INFORMATION

- *Propane gas is not natural gas. Only use propane for this fire bowl.
- *The conversion or attempted use of natural gas in a propane unit or propane gas in a natural gas unit is dangerous.
- *Do not use this fire bowl on vehicles or boats. Always operate the appliance on flat ground outdoors.
- *Keep any electrical supply cord and the fuel supply hose away from any heated surfaces.
- *Do not use this fire bowl unless all parts are in place.
- *The maximum gas supply pressure is 250psi.
- *Use LP cylinders only with these required measurements:
 - 12" (30.5cm) (diameter) x 18" (45.7 cm) (tall) with 20 lb. (9 kg.) capacity maximum.
- *Clean the battery contacts and also those of the device prior to battery installation.
- *Remove batteries from equipment which is not to be used for an extended period of time.
- *Remove used batteries promptly.

FOR PROPANE GAS UNITS

- *The gas pressure regulator provided with the propane fire bowl must be used.
- *Do not attempt to disconnect the gas regulator or any gas fitting while your fire bowl is in operation.
- *Adented or rusty propane cylinder may be hazardous and should be checked by your gas supplier prior to use.
- *Do not use a propane cylinder with a damaged valve and any other worn out parts.
- *Transit and store the empty gas cylinders carefully and properly.
- *If you see, smell or hear the hiss of escaping gas from the propane cylinder:
 1. Turn off the gas supply and get away from the gas cylinder and the fire bowl at once.
 2. Do not attempt to correct the problem yourself.

Children and adults should be alerted to the hazards of high surface temperatures and should stay away to avoid burns or clothing ignition.

- Young children should be carefully supervised when they are in the area of the appliance at all times.
- Children should never operate this unit. Children must be supervised while near this unit.
- Clothing or other flammable materials should not be hung from the appliance, or placed on or near the appliance.
- Any guard or other protective device removed for servicing the appliance must be replaced prior to operating the appliance. Installation and repair should be done by a qualified service person. The appliance should be inspected before use and at least annually by a qualified service person. More frequent cleaning may be required as necessary. It is imperative that the control compartment, burners and circulating air passageways of the appliance be kept clean.
- Installation and repair should be done by a qualified service person. Appliance should be inspected before use and inspected and cleaned by a qualified service person regularly.
- Immediately call a qualified service technician to inspect the appliance and to replace any part of the control system and any gas control which has been under water.
- Use only the specific size and capacity of the cylinder noted(20lbs).

SAFETY INFORMATION

- A statement that the LP-gas supply cylinder to be used must be constructed and marked in accordance with the specifications for LP-gas cylinders of the U.S. Department of Transportation (DOT).
- This appliance shall be used only outdoors in a well-ventilated space and shall not be used in a building, garage or any other enclosed area as the instructions state.
- Installation and repair should be done.
- How to disconnect a gas bottle?
Turn OFF control knob and LP cylinder valve. Turn coupling nut counterclockwise by hand only - do not use tools to disconnect. Loosen cylinder screw beneath bottom shelf, then lift LP cylinder up and out of shelf. Place dust cap on cylinder valve outlet whenever the cylinder is not in use.
- Storage of an appliance indoors is permissible only if the cylinder is disconnected and removed from the appliance. Cylinder must be stored outdoors in a well-ventilated area out of reach of children. Disconnected cylinders must have threaded valve plugs tightly installed and must not be stored in a building, garage or any other enclosed area.

▲ WARNING: Improper installation, adjustment, alteration, service or maintenance can cause injury or property damage. Refer to the owner's information manual provided with this appliance. For assistance or additional information consult a qualified installer, service agency or the gas supplier.

- The LP-gas supply cylinder must be disconnected when this appliance is not in use
- Only cylinder marked "propane" shall be used.

▲ Caution:

Only use the pressure regulator and hose assembly supplied with this fire bowl. Replacement pressure regulator and hose assemblies must be specified. Inspect the hose before each use of the appliance. If the hose shows signs of cracks, abrasions, cuts or damage of any kind, do not operate the appliance. Fix or replace the hose as required before using the appliance. Use only replacement parts from the manufacturer. Allow heating item to cool completely before placing on lid. **DO NOT** use heating item/cover while the lid is installed. Always remove the lid while heating item in use.



WARNING

- ▶ Do not light or use gas unit if lava rocks are wet. Ensure lava rocks are completely dry before igniting as intense heat could cause the rocks to crack.
- ▶ Lava rocks could hit someone's face or eyes during initial start of this unit, so please keep away from the fire bowl for the first 20 minutes after it has been ignited.
- ▶ **LP GAS WARNING:** Do not exceed 1/4" depth of fire glass or small lava rocks directly above burner holes. Applying too many lava rocks may result in unburned gas pooling in fire bowl. Ventilation is required to allow fresh air into enclosure and any residual gas to escape.
- ▶ This heating item should not be used on plastic composite or artificial wood decks.

Warranty and Installation Information:

warranty will be voided and we disclaims any responsibility for the following actions:

- ▶ Modification of the fire bowl and/or components including the gas valve assembly.
- ▶ Use of any component part not manufactured approved.
- ▶ Use and installation other than as instructed in this manual.

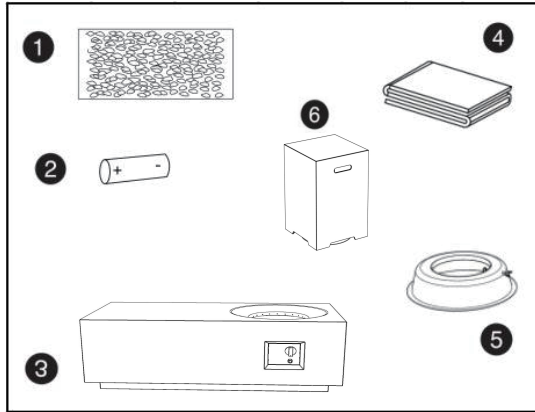
Accessories

BOX 1 SKU NO.327954-BERLIN LOW CONCRETE OUTDOOR RECTANGULAR FIREPIT

ITEM	DESCRIPTION	QTY
1	Decoractive media(lava rock)	1PC
2	Battery	1PC
3	Body	1PC
4	Protective cover	1PC
5	Tank seat	1PC

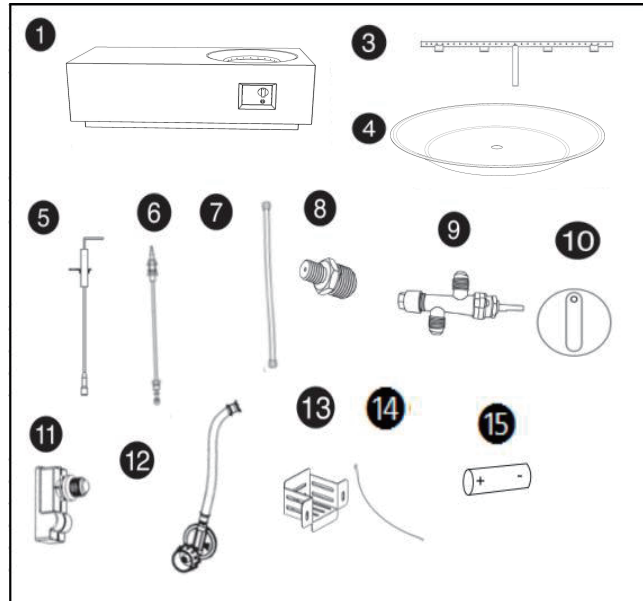
BOX 2 SKU NO.327952-BERLIN CONCRETE OUTDOOR PROPANE TANK COVER

ITEM	DESCRIPTION	QTY
6	Tank cover	1PC



EXPANDED VIEW

ITEM	SPECIFICATION	QTY
1	Body	1
3	Burner	1
4	Firebowl pan	1
5	Ignition pin	1
6	Thermocouple	1
7	Corrugated pipe	1
8	Injector	1
9	Gas valve	1
10	Control knob	1
11	Pulse ignition	1
12	Regulator	1
13	Ignition screen	1
14	Grounding wire	1
15	Battery	1



INSTRUCITONS

Please keep these owner's manual for future reference.

If you have opened the carton and removed all packages, please disregard and
STEP 1. and 2. see the STEP 3. directly.

STEP1.

- (1) Open the carton and turn it upside down, make sure the 4 pieces of carton open us as .
- (2) Lift of the carton carefully and be wary of accessories inside falling away.
- (3) Take all the packing materials away except for the paper honeycomb board rounding top of the fireplace.

STEP2.

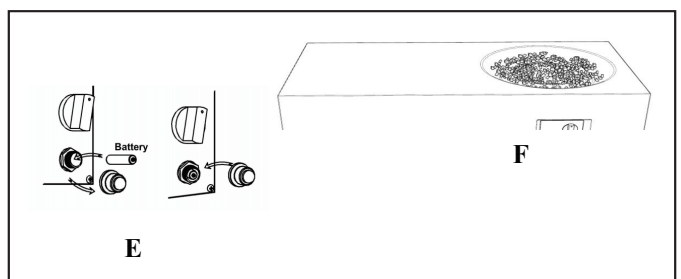
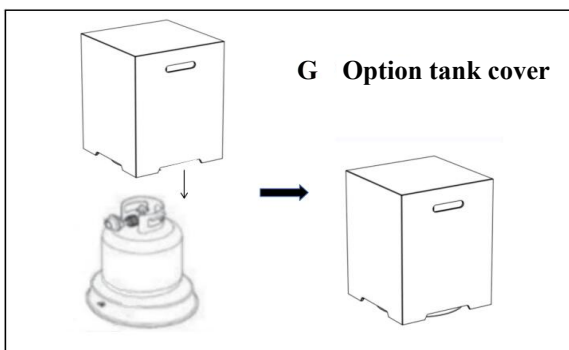
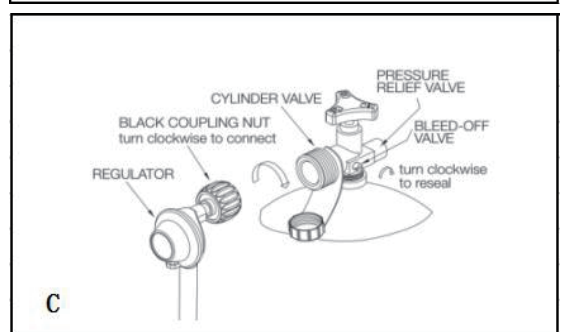
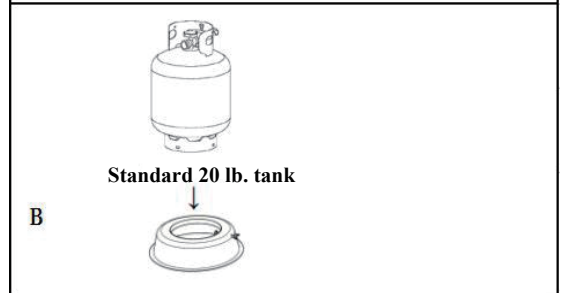
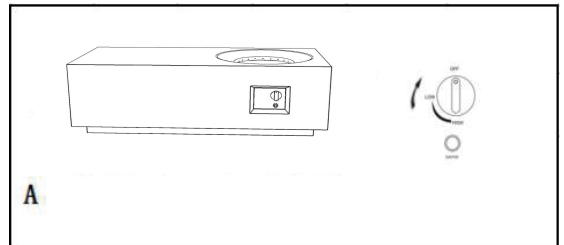
- (1) Turn the fireplace heads up on a flat ground.
- (2) Removed all the paper honeycomb board rounding top of the fireplace.

STEP 3.

- (1) Check each part before use the product.
Make sure the the control knob is turned "OFF" before assembling, see Figure A.
- (2) Put gas tank in the metal tank seat. see Figure B.
- (3) Connect the Pressure-Regulating valve to the gas tank. see Figure C.
- (4) Turn the cylinder valve clockwise to the gas supply on the gas tank. see Figure C.
- (5) Screw regulator Coupling clockwise by hand only.
Make sure it is fastened.
- (6) Make sure the tank sits on the metal seat completely.
Turn the wing screw on the out part of metal seat clockwise.
to secure the tank tightly. see Figure D.
- (7) Locate the battery, remove the plastic cover the first.
Unscrew the rubber cap of the Electricignitor, place a AAA battery into battery case. Make sure the positive pole ("+") towards the cap. Screw the cap back to the battery case tightly. see Figure E.
- (8) Place lava rock averagely on the top of firebowl.
see Figure F.

DO NOT COVER THE IGNITION SCREEN.

When place the lava rock into the firebowl,
Always keep ignition SCREEN visible.



OPERATION

Before performing a leak test, be sure that no sparks can occur and you are in a spacious outdoor area. Connect the propane gas tank to the regulator and turn the valve on the unit to the “off” position. Brush a soap and water mixture on all connections. Turn the gas supply on; If bubbles occur on any connection there may be a leak. If you smell gas or a leak is discovered turn the gas valve off, disconnect propane gas tank and do not use the appliance until the leak is repaired.

Do not use the heating unit without inspecting the gas hose. If there are signs of wear or abrasion you must replace the hose (if applicable).

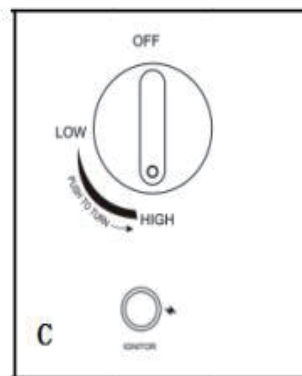
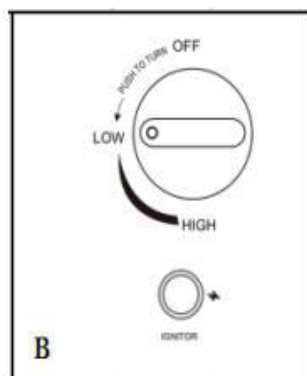
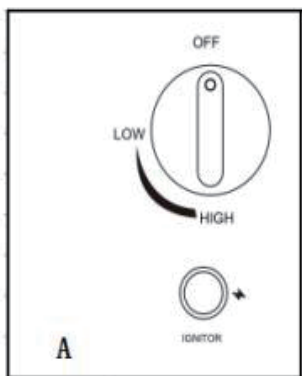
Lava rocks could pop up and strike somebody’s face during the 20 minutes after igniting.

Flame height should be a yellow/blue color between 2 - 10 inches in height.

Wait 5 minutes after extinguishing flame prior to placing a lid or protective cover on heating item.

TO LIGHT

1. Make sure the control knob is in the “off” position. See below figure A.
 2. Remove door and slowly open the valve on the propane gas tank by turning the knob counterclockwise.
 3. Replace the door on the body.
 4. Push and hold in the electronic igniter to create sparks within the electrode, continue to hold.
 5. Push in the control knob and turn to the “low” position. see figure below B.
- Keep holding down the control knob to allow gas to flow for 15 seconds.
6. If ignition doesn’t occur within a few seconds release the control knob and rotate to the “OFF”, see below figure A.
- position. Wait for 5 minutes for gas to clear and then repeat the above lighting instructions.
7. Once the fire product is lit, the flame intensity may be controlled by turning the control knob between the “low” and “high” positions. see figure below B and C.

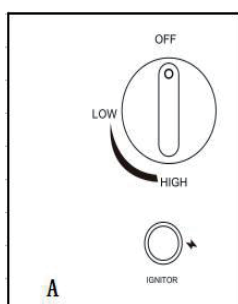


Caution:

*If the burner does not ignite with the valve open, gas will continue to flow out of the burner and could accidentally ignite with risk of injury.

TO EXTINGUISH

- Push the Control Knob and turn clockwise to the "OFF" position.
- Turn the cylinder valve on the gas tank clockwise to close the gas supply if not in use for a long time. (See figure below)



ROUTINE CARE

- **Keep your fire bowl free and clear from combustible materials**
- **Visually inspect burner from obstructions and keep fireplace free and clear from debris.**
- **After the burner and lava rocks are completely cooled down, use a soft brush to get rid of the mild stains, loose dirt and soil. Wipe with a soft cloth.**

STUBBORN STAINS

- **Stubborn stains, discoloration and possibly rust pitting can occur from exposure to harsh outdoor conditions.**
- **Be careful not let any powder or solvent come in contact with painted or plastic components as damage may occur.**

MAINTENANCE

- **Harsh weather conditions may cause stubborn stains, discoloration and possibly rust pitting.**
- **Permanent damage may occur if powder or solvent comes in contact with painted or plastic components on the firebowl.**
- **Keep the firebowl stored away from direct sunlight.**
- **If storing this unit inside, disconnect the propane gas tank from the gas valve.**
- **Not using manufacturer approved or supplied parts/accessories may result in a defective condition and void the warranty of this heating unit.**
- **Always place lid (if applicable) or protective cover on heating item when not in use.**

SURFACE CARE

Our composite material has been sealed with a treatment to prevent staining and moisture absorption, but it does require proper maintenance to ensure the integrity of the surface.

Please see below for recommendations on maintaining your unit surface for years of pleasure:

- **Clean any spills immediately to prevent permanent surface staining or damage. Absorb any liquid spills with a clean, dry cloth to avoid spreading of the spill to the rest of the table. Clean surface with a soft, clean cloth or sponge. Mix a solution of warm clean water and mild dish soap to remove any surface dirt or mild spills. Rinse all soap solution off of the firebowl and dry completely to avoid water spots. Regularly cleaning the surface will aid in a longer lasting product.**
- **Do not use petroleum-based or abrasive cleaning products. Do not use any harsh brushes when cleaning the surface.**
- **Do not slide products across the surface to avoid permanent scratching and damage.**
- **Always use protective mats such as coasters or placemats when eating on an surface. These protective products will help absorb sweating on cool beverages and will block out any heat rings from appearing beneath a warm mug or plate. When placing hot dishes on an surface, always use mats or hot pads.**
- **The surface must be covered at all times when not in use. Cover your product with an outdoor furniture cover when not in use to protect it from the elements. Store your product indoors during winter months. Avoiding extreme cold temperatures prevent cracking of the firebowl.**

TROUBLESHOOTING

PROBLEM	POSSIBLE CAUSE	SOLUTION
Burner won't light	Igniter pin and burner are wet	Dry off with a soft cloth.
	Igniter battery is incorrectly inserted	Check and change direction of battery inserted.
	Igniter pin is broken	Contact retailer for a replacement part.
	Electrode wire is loose or disconnected	Reconnect wire to the igniter located inside the firebowl.
	Propane cylinder is empty	Replace propane cylinder.
Burner flame is low	Gas pressure is low	Turn cylinder valve OFF and re-fill the cylinder.
	Control knob fully on	Check burner and orifices for blockage.
Carbon build-up	Dirt or film on burner	Clean burner.
Thick black smoke	Blockage in burner	Remove blockage and clean burner inside & outside.
	Regulator hose is kinked	Straighten hose of all kinks.
Sudden drop in gas flow	No gas flow	Check that the gas tank isn't empty.
	Excess flow safety valve has been activated	Turn the control knob to the 'off' position. Close the tank valve and disconnect propane gas tank. Turn the control knob to 'high'; wait 1 minute. Turn the control knob back to the 'off' position. Reconnect propane gas tank. Light the fire unit as indicated in the 'To Light' section of this manual.

WARRANTY

Manufacturer warranty will be voided and we disclaims any responsibility for the following actions:

- ▶ Modification of the fire bowl and/or components including the gas valve assembly.
- ▶ Use of any component part not manufactured approved.

If you have any questions or concerns, please contact the retailer.

THANK YOU!