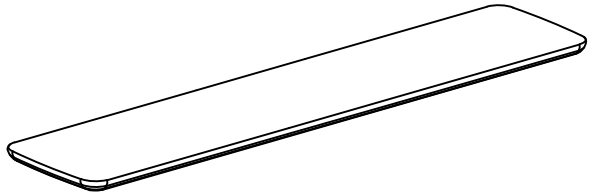
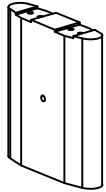
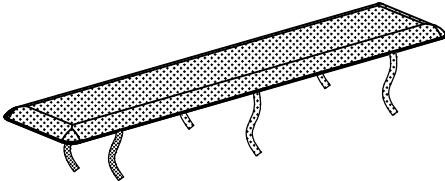
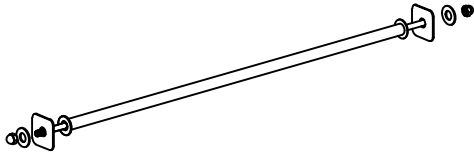
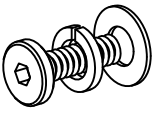
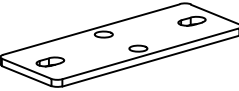
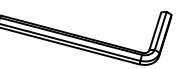





## Parts List

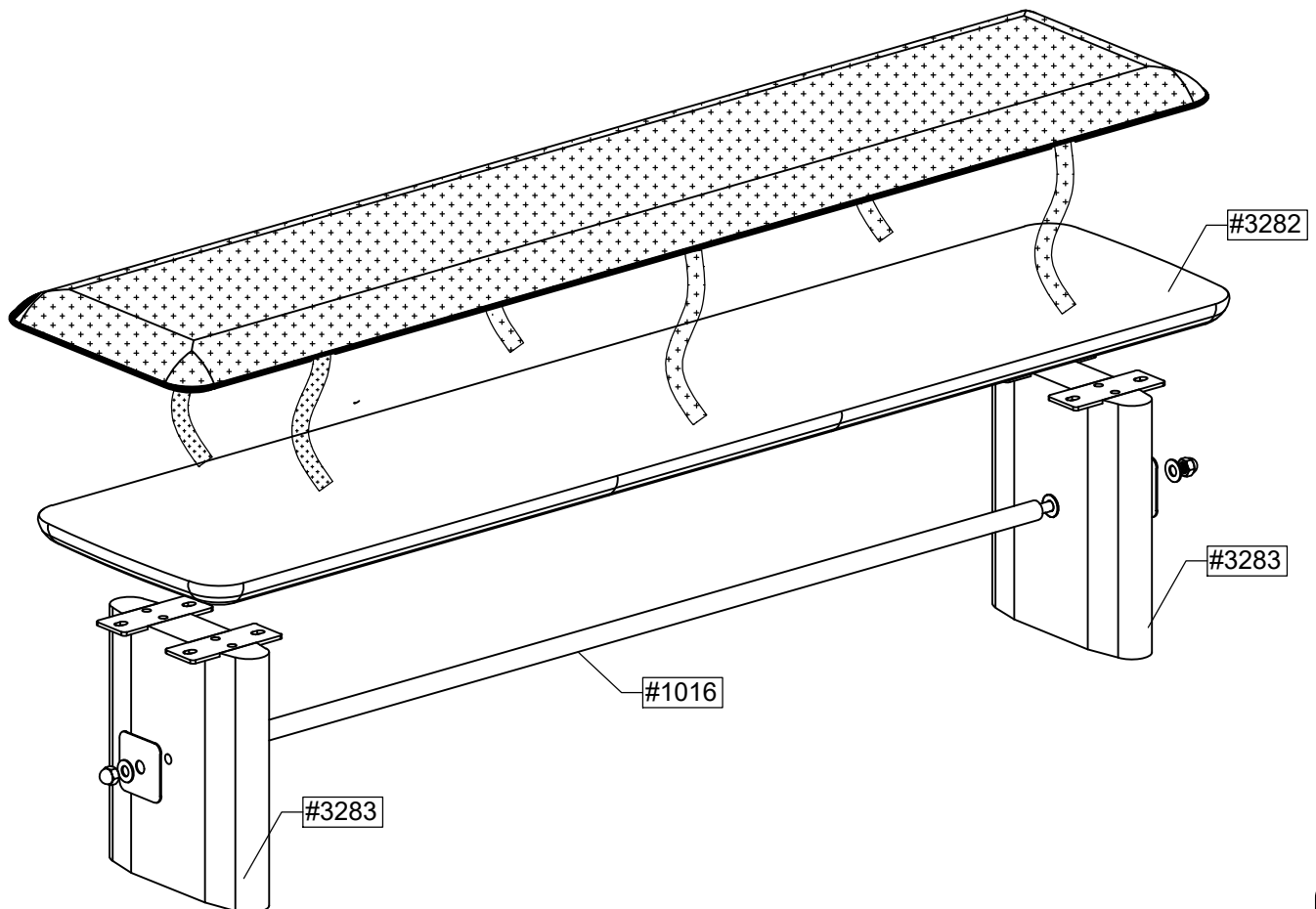
SKU #	Image	Description	Q.ty
#3282		BENCH TOP	1
#3283		LEGS	2
#3284		CUSHION	1
#1016		Metal bar: x1 Flat washers: x 4 Metal plates: x 2 Lock nuts: x 2	1 Set

### Hardwares List

SKU #	Image	Description	Q.ty
#1010		Connection Bolts (M8x25) Spring Washers Flat Washers	16 Sets
#1011		Metal Plate	4 Pcs
#2001		Allen key K4	1 Pc
#2004		Spanner	1 Pc

### Tools Required

	Supplied ✓		Supplied ✓
---	------------	--	------------

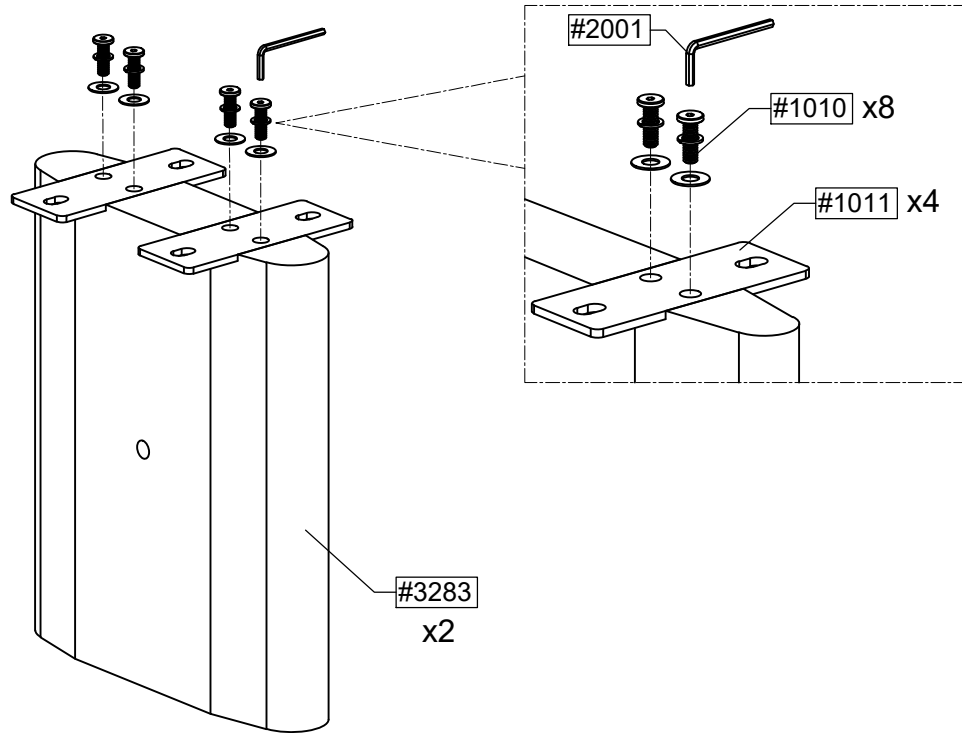


# ASSEMBLY INSTRUCTION

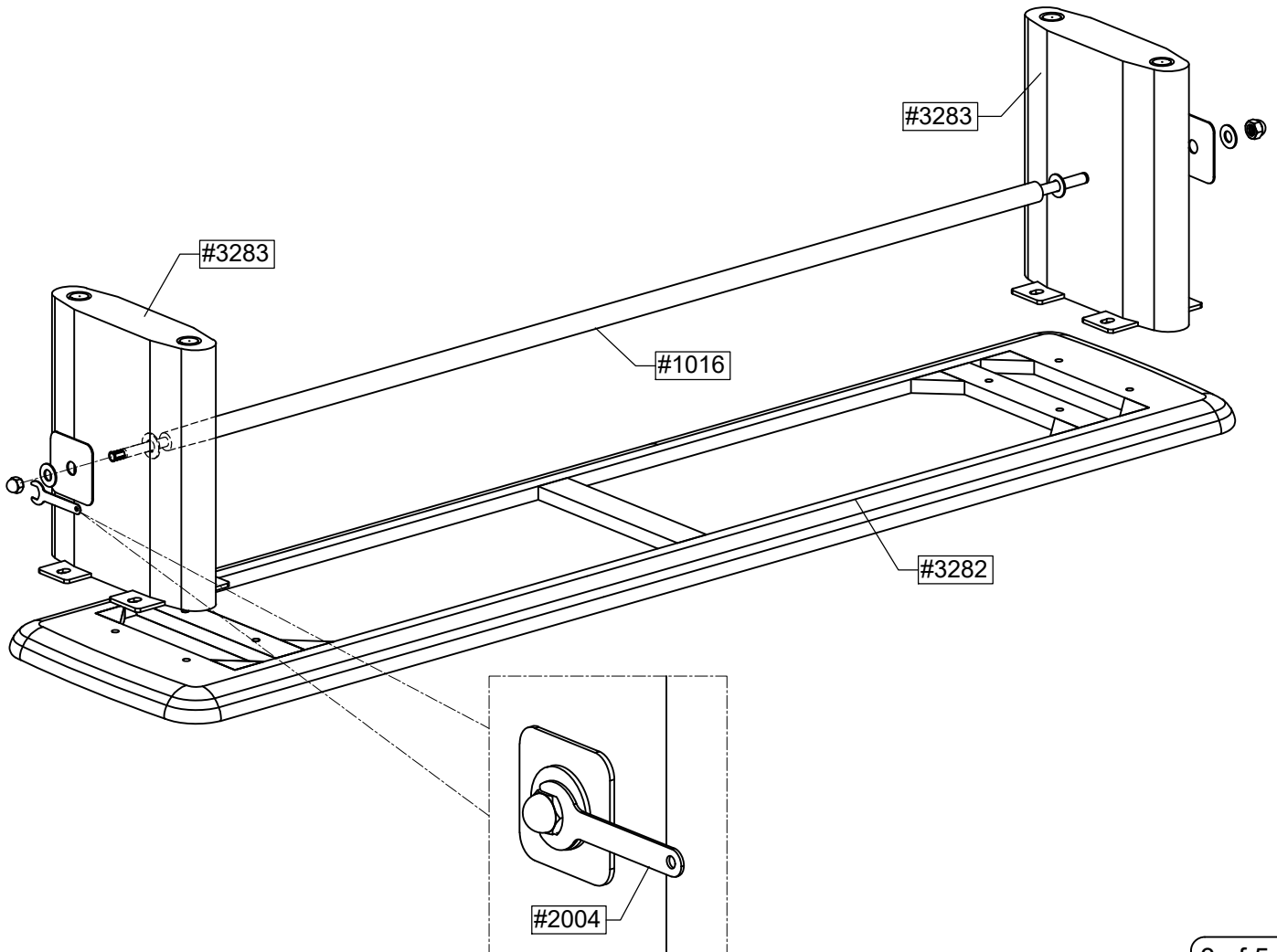
NOMAD DINING BENCH

ITEM NO. : 326944

**STEP 1**



**STEP 2**





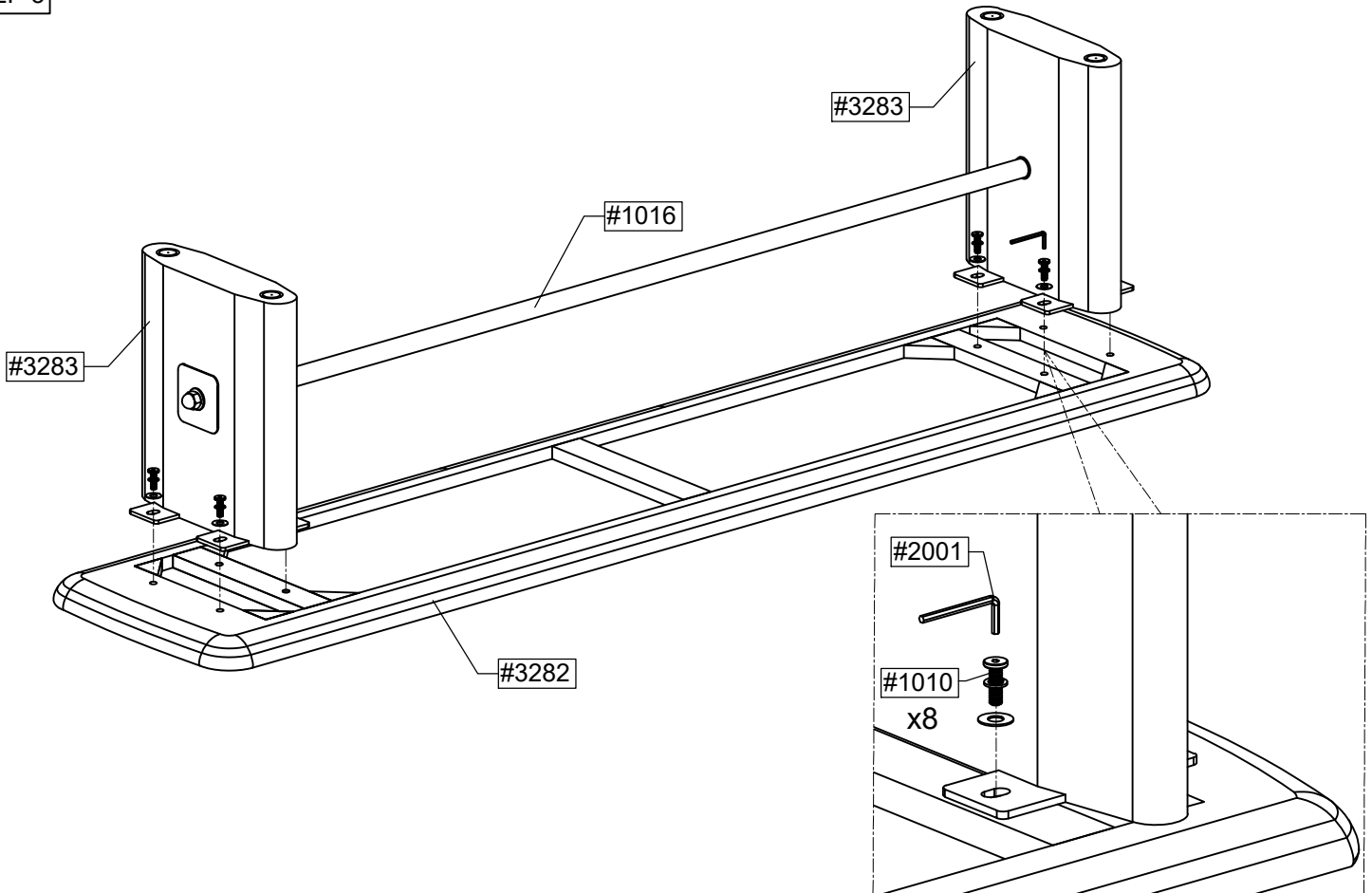
LIVING SPACES

# ASSEMBLY INSTRUCTION

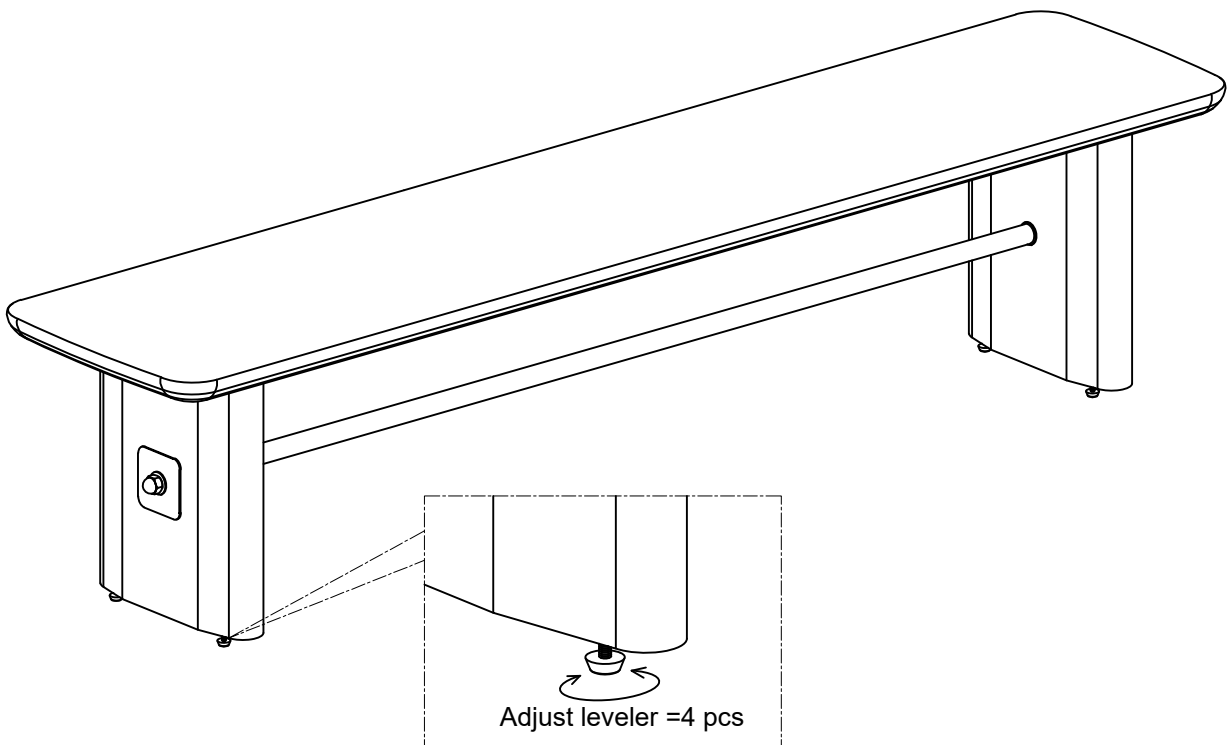
NOMAD DINING BENCH

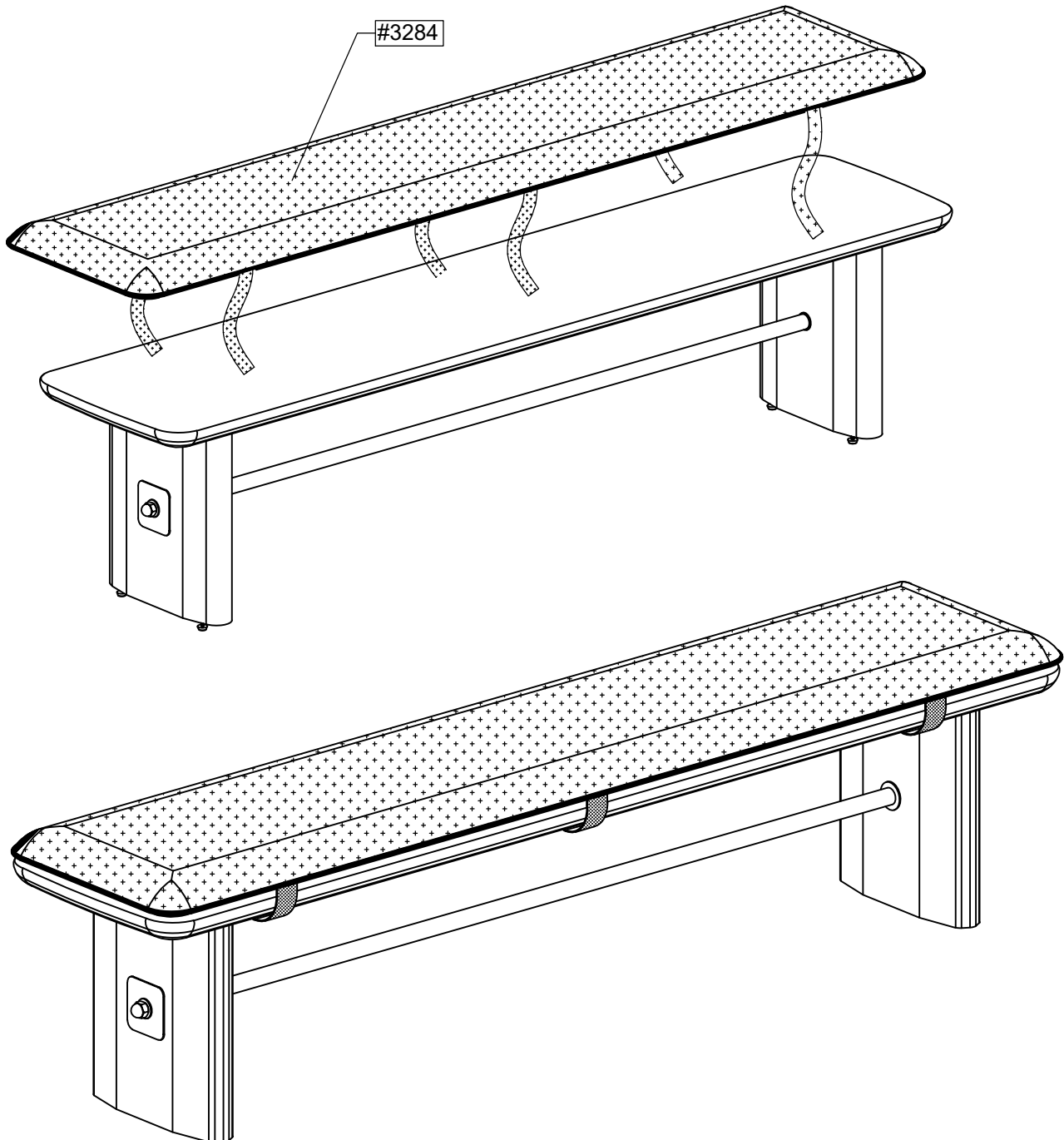
ITEM NO. : 326944

## STEP 3



## STEP 4





THE HARDWARE IS LOCATED IN THE PACKING ITEMS

NOTE: MUST TIGHTEN SCREWS PERIODIACLLY. WITH USE SCREW MAY BECOME LOOSE CHECK TIGHTNESS OF ALL SCREWS EVERY 6-8 WEEKS

#### CLEANING INSTRUCTIONS

After assembly, clean & polish the completed parts if necessary with soft cloth and industrial recognized furniture polish