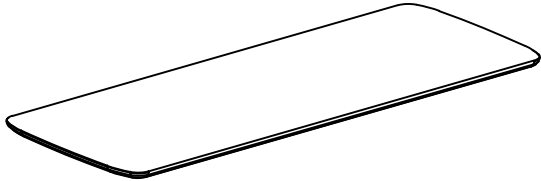
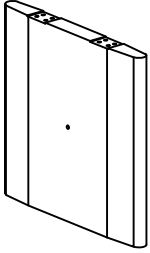
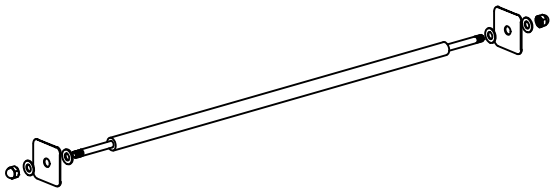
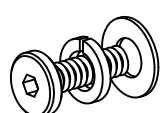
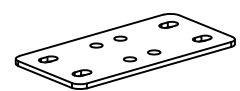






Parts List

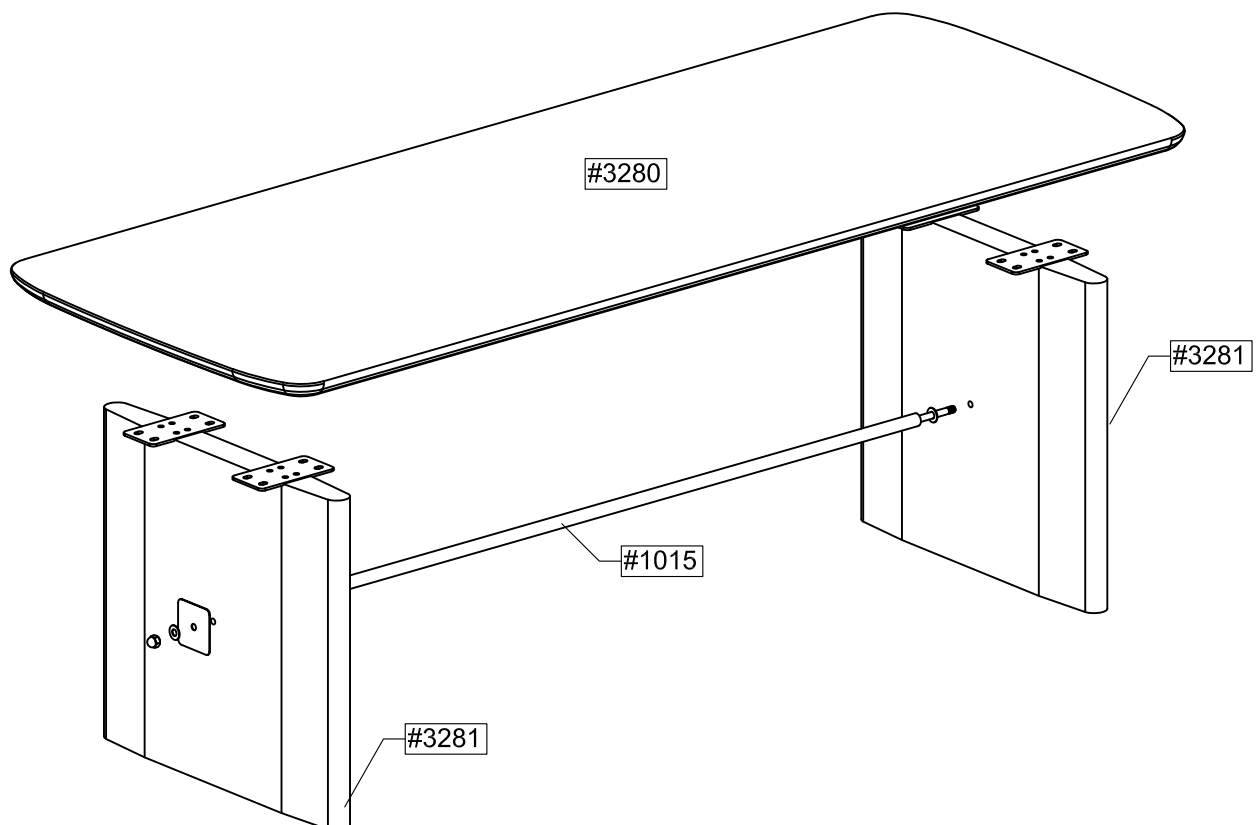
Sku #	Image	Description	Q.ty
#3280		TABLE TOP	1
#3281		TABLE LEGS	2
#1015		Metal bar: x1 Flat washers: x 4 Metal plates: x 2 Lock nuts: x 2	1 Set

Hardwares List

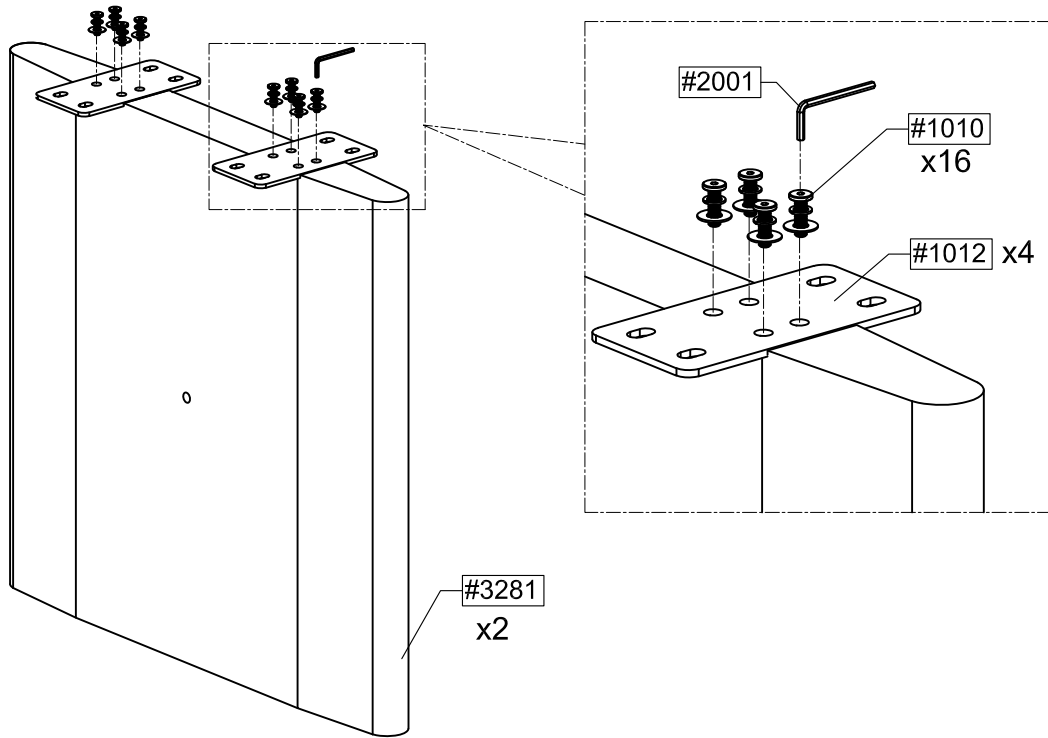
SKU #	Image	Description	Q.ty
#1010		Connection Bolts (M8x25) Spring Washers Flat Washers	32 Sets
#1012		Metal Plate	4 Pcs
#2001		Allen key K4	1 Pc
#2004		Spanner	1 Pc

Tools Required

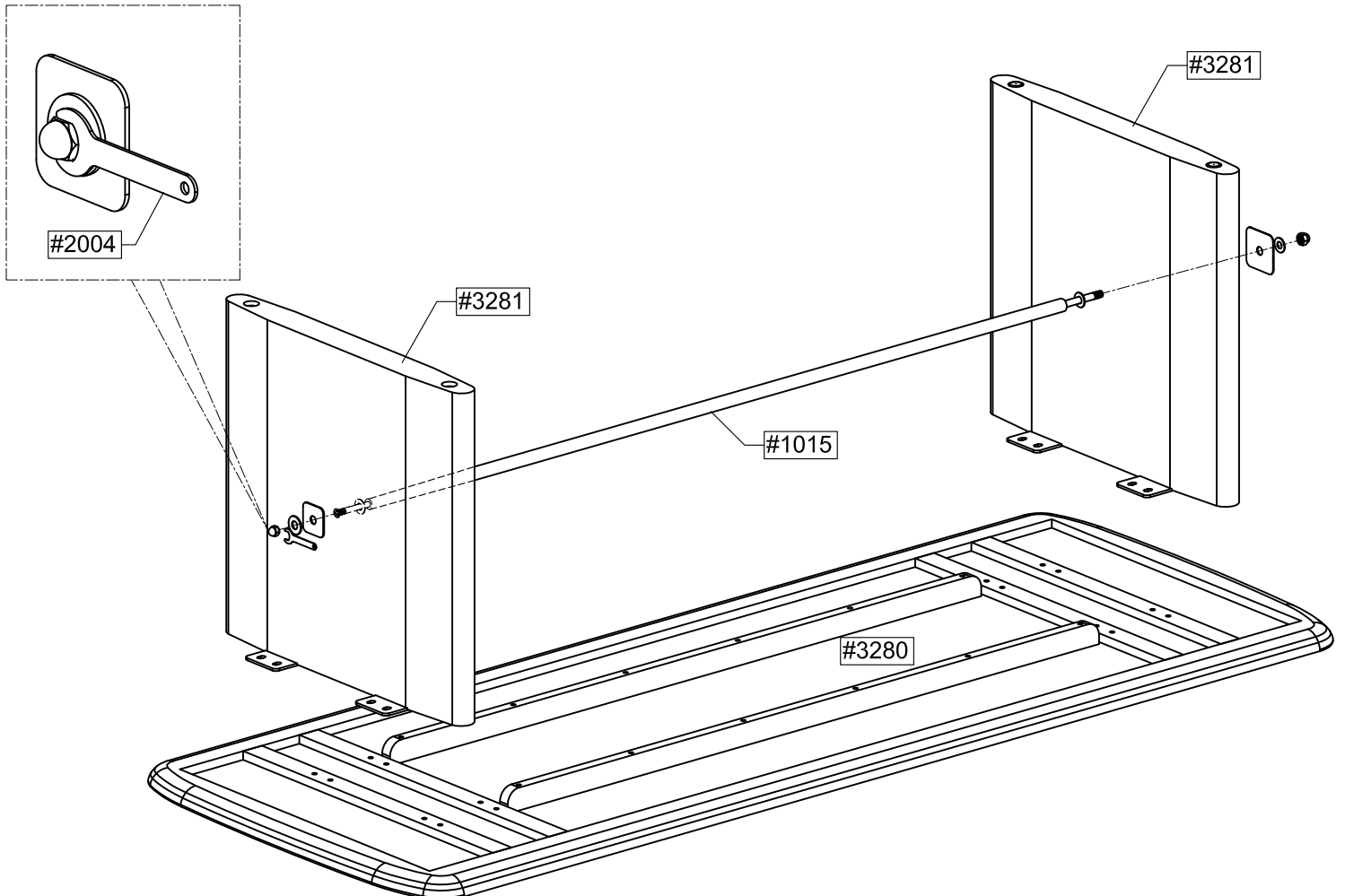
	Supplied ✓		Supplied ✓
---	------------	--	------------



STEP 1



STEP 2

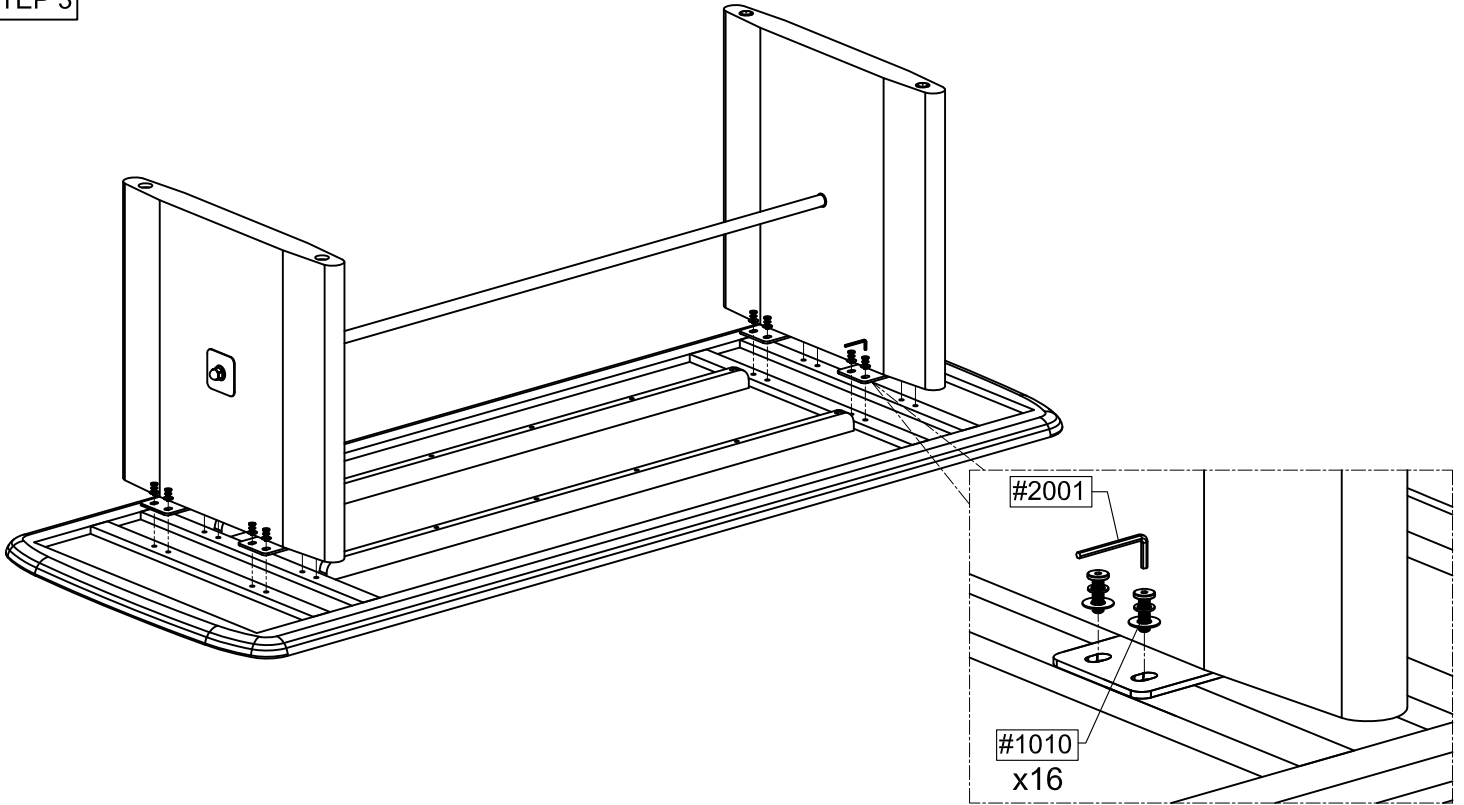


ASSEMBLY INSTRUCTION

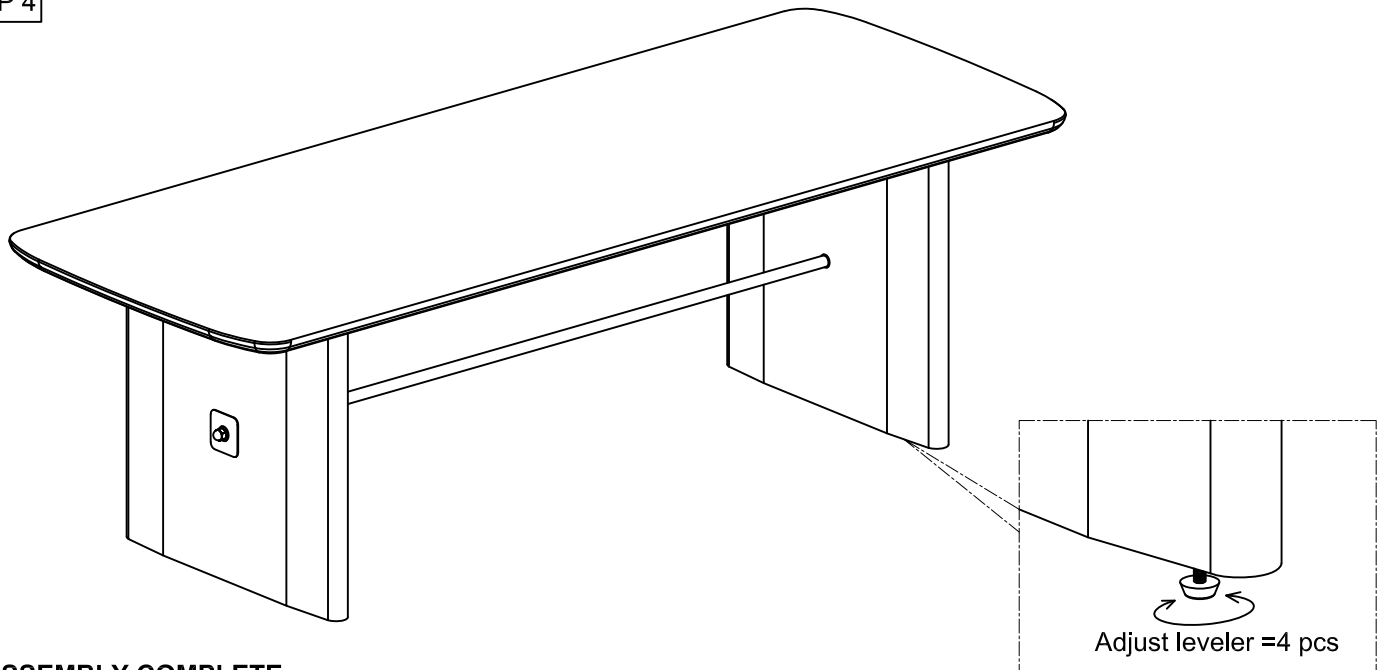
NOMAD DINING TABLE 2500

ITEM NO. : 326943

STEP 3



STEP 4



ASSEMBLY COMPLETE

THE HARDWARE IS LOCATED IN THE PACKING ITEMS

NOTE: MUST TIGHTEN SCREWS PERIODIACLLY. WITH USE SCREW MAY BECOME LOOSE CHECK TIGHTNESS OF ALL SCREWS EVERY 6-8 WEEKS

CLEANING INSTRUCTIONS

After assembly, clean & polish the completed parts if necessary with soft cloth and industrial recognized furniture polish