



LIVING SPACES

ASSEMBLY INSTRUCTIONS

CATANIA FLUTED GLASS DOOR BUFFET

LS SKU# 326805

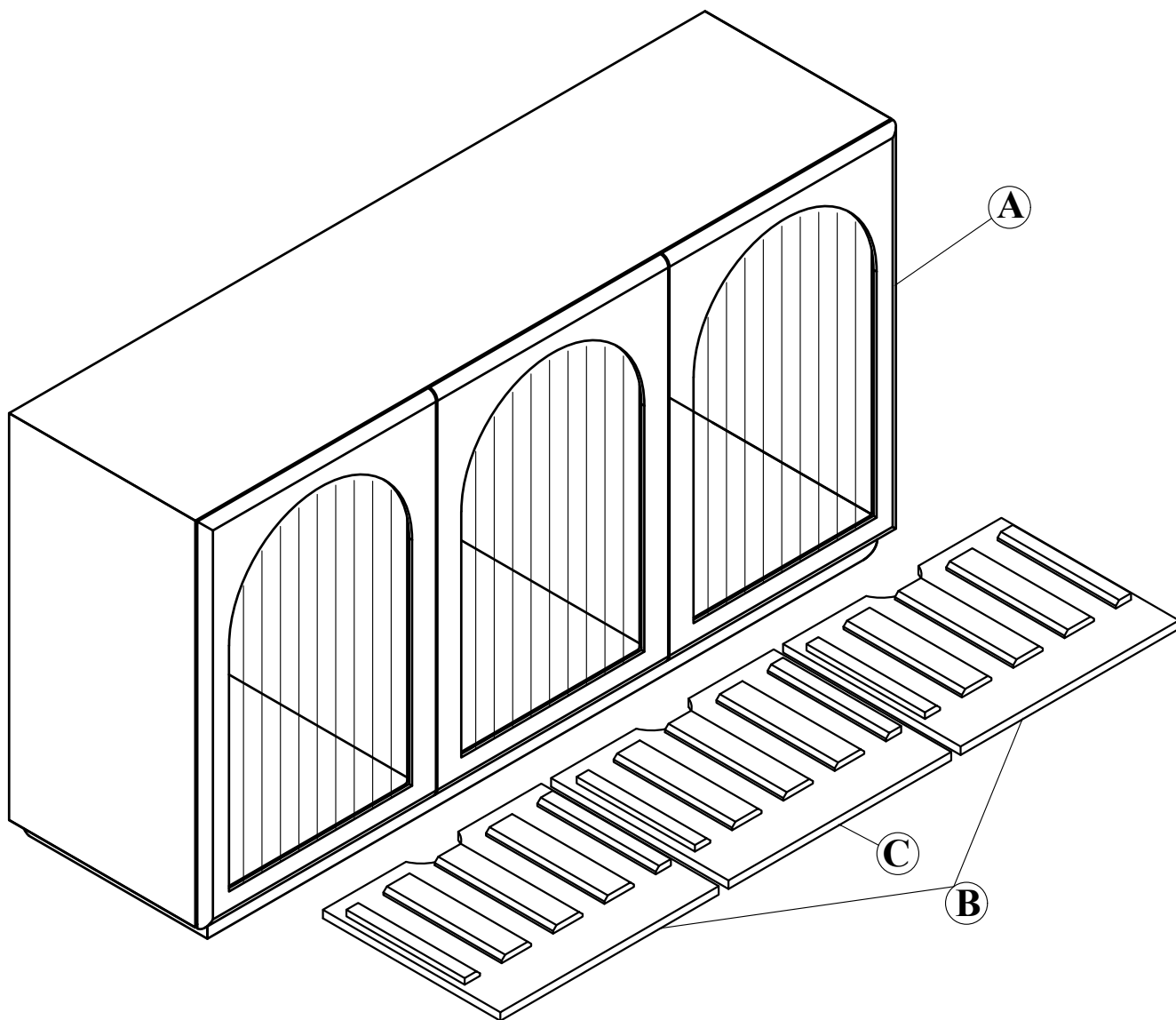
MODEL # DE-CATA-OAK-D01-160






CAUTION: PLEASE READ ALL INSTRUCTIONS BEFORE STARTING THE ASSEMBLY OF THIS PRODUCT. THESE PIECES ARE HEAVY. IN ORDER TO PREVENT PERSONAL INJURIES AND ENSURE THAT THIS PRODUCT IS NOT DAMAGED DURING THE ASSEMBLY PROCESS, IT IS STRONGLY RECOMMENDED THAT YOU REQUIRE HELP FROM ONE OR MORE PEOPLE.

ATTENTION: VEUILLEZ LIRE TOUTES LES INSTRUCTIONS AVANT DE COMMENCER L'ASSEMBLAGE DE CE PRODUIT. LES DIFFÉRENTES PARTIES SONT LOURDES AFIN DE PARER TOUTE BLESSURE ET D'ÉVITER QUE LE PRODUIT NE SUBISSE DES DOMMAGES. IL EST FORTEMENT RECOMMANDÉ DE DEMANDER DE L'AIDE DE LA PART D'UNE OU PLUSIEURS PERSONNES DURANT L'ASSEMBLAGE.




CUIDADO: FAVOR DELEER TODES LAS INSTRUCCIONNES ANTES DE ENSAMBLAR SU PRODUCTO. ESTAS PIEZAS SON PESADAS. PARA PREVENIR HERIDAS PERSONALES Y ASEGURAR QUE SU PRODUCTO NO SEA DAN ADO MIENTRAS ES ENSAMBLADO SE RECOMIENDA LA ASISTENCIA DE UNA O MAUS PERSONAS.



LIST OF PARTS AND HARDWARE

No.	Description	Q'ty
A	 CABINET	1
B	 LEFT / RIGHT SHELVES	2
C	 MIDDLE SHELVES	1

LIST OF PARTS AND HARDWARE

No.	Description	Q'ty
1	 Dowel	12
2	 Door push pull	1
3	 Tipping	2



LIVING SPACES

ASSEMBLY INSTRUCTIONS

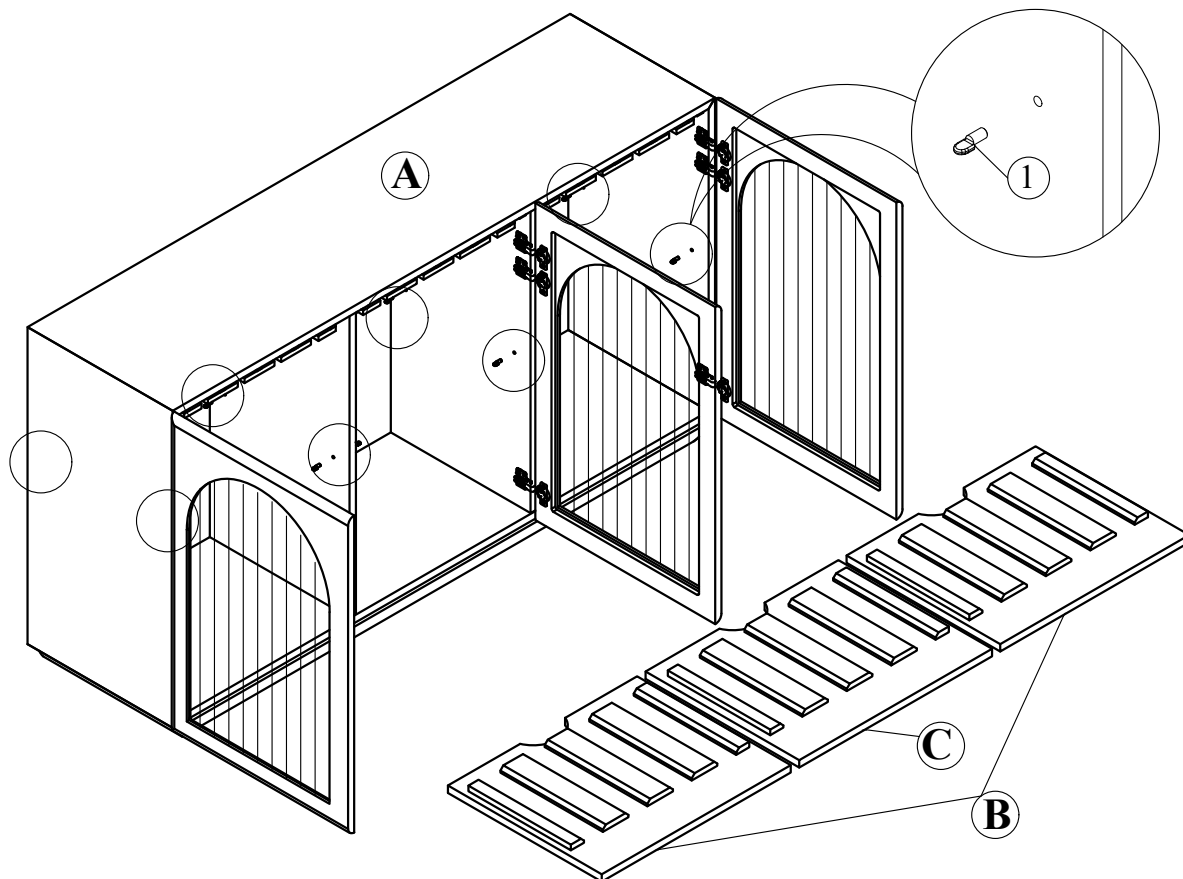
CATANIA FLUTED GLASS DOOR BUFFET

LS SKU# 326805

MODEL # DE-CATA-OAK-D01-160

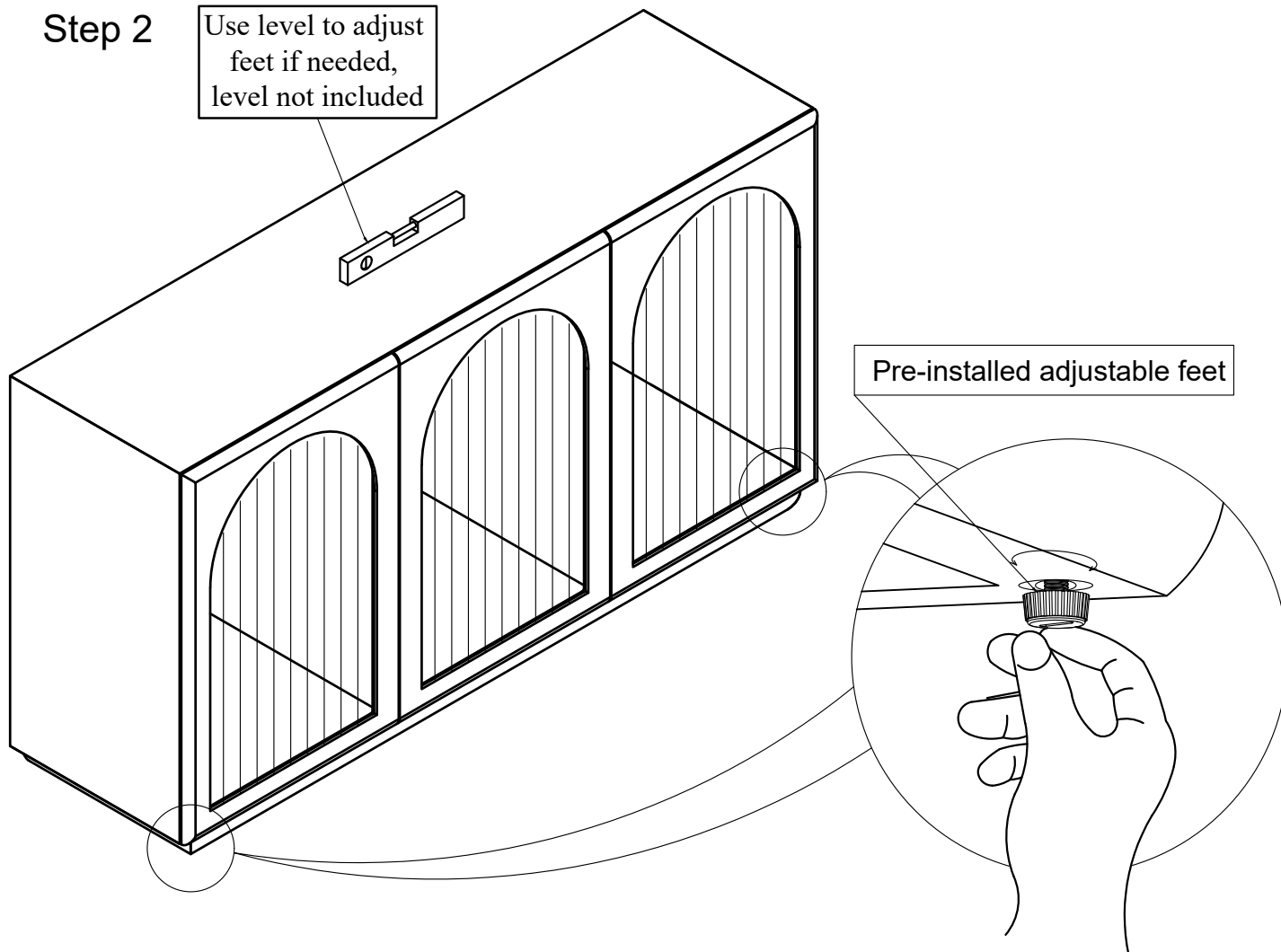


Step 1



Step 2

Use level to adjust feet if needed, level not included



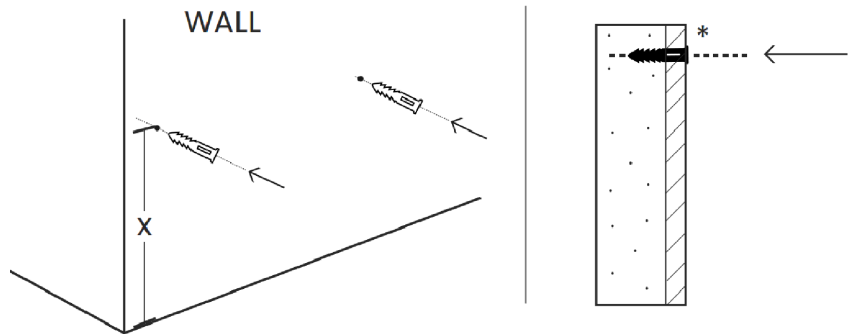


Step 3

Anti-tip Kit Assembly Instruction

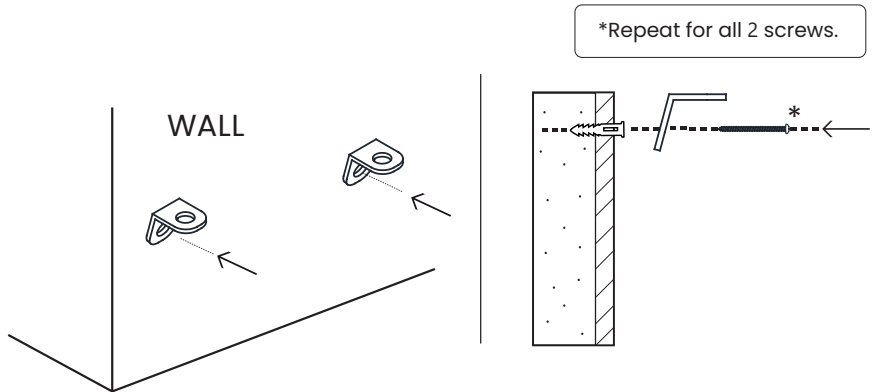
To prevent injury and property damage from unexpected tipping of furniture, we highly recommend installation of the anti-tip kit included with this product.

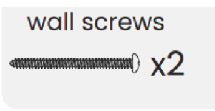

Determine where the piece is to be placed and mark location on the wall for the mounting bracket screw holes. They should be placed approximately 1" below the top on the back of the piece of furniture.



Step 4

Attach the mounting bracket vertically/ horizontally to the wall by inserting the long screws provided through the holes in the bracket and tightening securely using screw-driver. Screws must penetrate wall studs for proper installation.



- 
 wall screws
 x2
- 
 Bracket
 x2



Please seek a professional advice if unsure of wall constructions. Properly affixing furniture to your wall will depend on the wall material: concrete, drywall, masonry, or wood will require the appropriate hardware. Anchor is not provided, please source the right anchor according to the wall type. Please consult your local hardware store to ensure you are using the correct hardware for your wall type.



LIVING SPACES

ASSEMBLY INSTRUCTIONS

CATANIA FLUTED GLASS DOOR BUFFET

LS SKU# 326805

MODEL # DE-CATA-OAK-D01-160

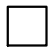
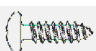


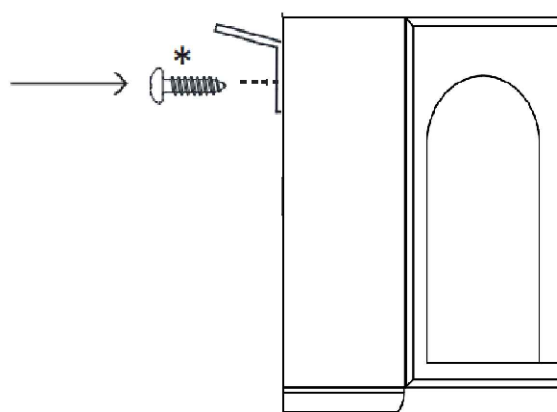
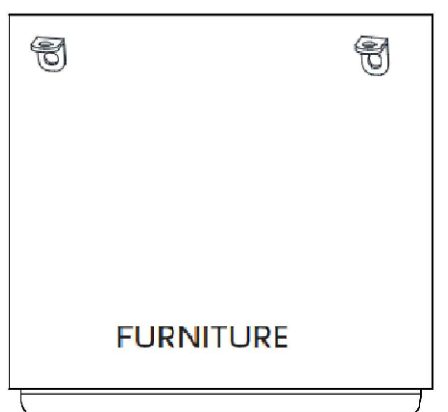
Step 5

Next using the short screws attach the 2nd bracket to the back of the piece of furniture's top.

*Repeat for all 4 screws.

Bracket
  X2

wood Screws
  X2



Step 6

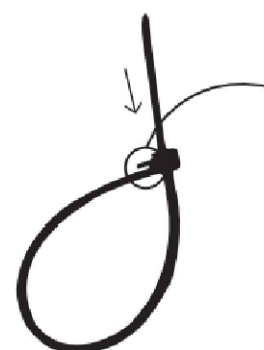
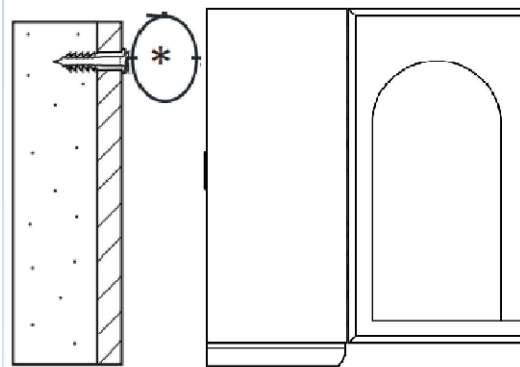
Lace the nylon strap down through the brackets. Slide the thin end of the strap through the receiving end of the nylon strap. Pull to tighten the piece of furniture snug against wall.

WALL FURNITURE

Press down to unlock;
release to lock.

restraint straps

 X2



- This anti-tip kit is not a substitute for proper adult supervision.
- This anti-tip kit may provide protection against tipping furniture.
- Do not allow children to climb on furniture.
- By installing anti-tip kit, you acknowledge that you are fully aware of the safety requirements and accept to adhere to it.
- Illustrations in this guide are for reference only and may be slightly different from the actual object.