



ASSEMBLY INSTRUCTIONS

**ITEM 305-P381240 / 241
CHAPLEAU TABLE**

Thank you for purchasing this quality product. Be sure to check all packing material carefully for small hardware which may have come loose inside the carton during shipment. Identify and count all hardware and compare with the hardware list below.

When placing furniture on non-carpeted flooring, HMI recommends the use of floor protection such as an area rug or furniture pads. Area rugs and padding not included with purchase.

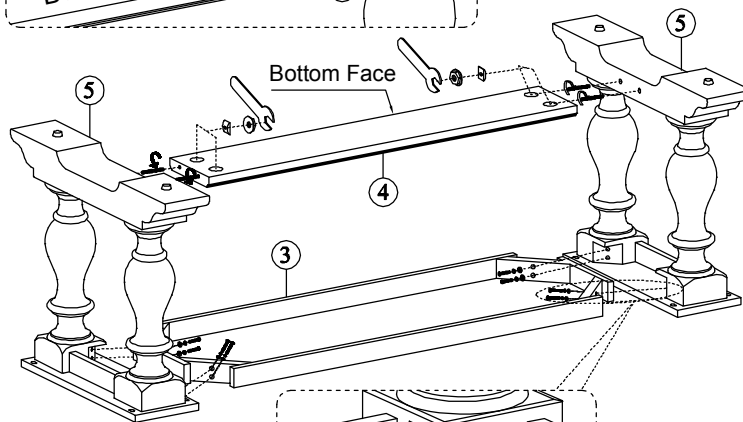
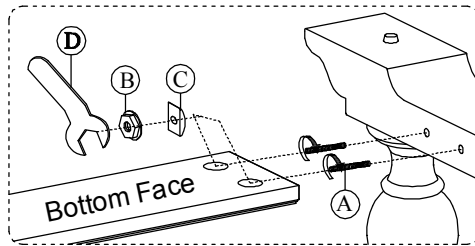
PARTS LIST

| No. | Description | Sketch | Q.ty |
|-----|----------------|--------|------|
| 1 | Table Top | | 1 |
| 2 | Extension Leaf | | 2 |
| 3 | Assembly Frame | | 1 |
| 4 | Stretcher | | 1 |
| 5 | Leg | | 2 |

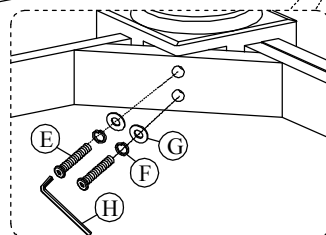
HARDWARE LIST

| No. | Description | Sketch | Size | Q.ty |
|-----|----------------|--------|------------------|------|
| A | Hanger Bolt | | Ø5/16" x 3-1/2" | 4 |
| B | Collar Hex Nut | | Ø5/16" | 4 |
| C | Flat washer | | Ø5/16" x 28 x 14 | 4 |
| D | Wrench | | 12 mm | 1 |
| E | Allen Bolt | | Ø5/16 " x 2-1/4" | 8 |
| F | Lock washer | | Ø5/16 " | 16 |
| G | Flat washer | | Ø5/16 " x 3/4 " | 16 |
| H | Allen Key | | M4 | 1 |
| K | Allen Bolt | | Ø5/16 " x 1-3/4" | 8 |

STEP 1



STEP 2



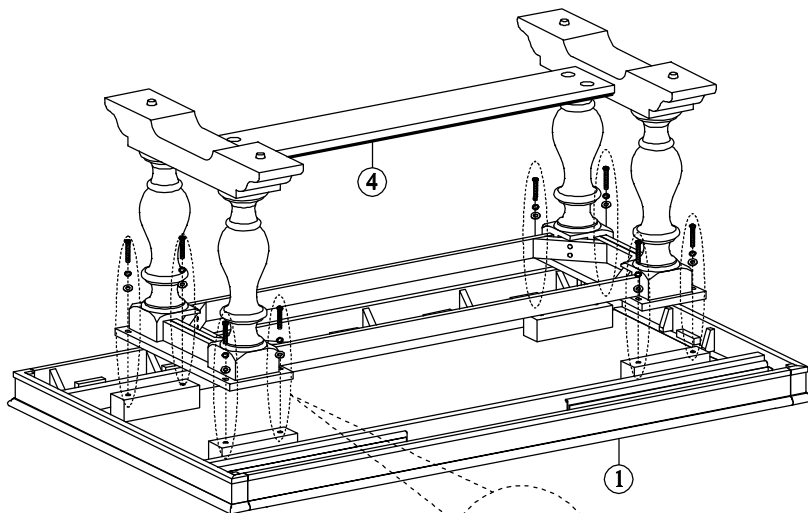


LIVING SPACES

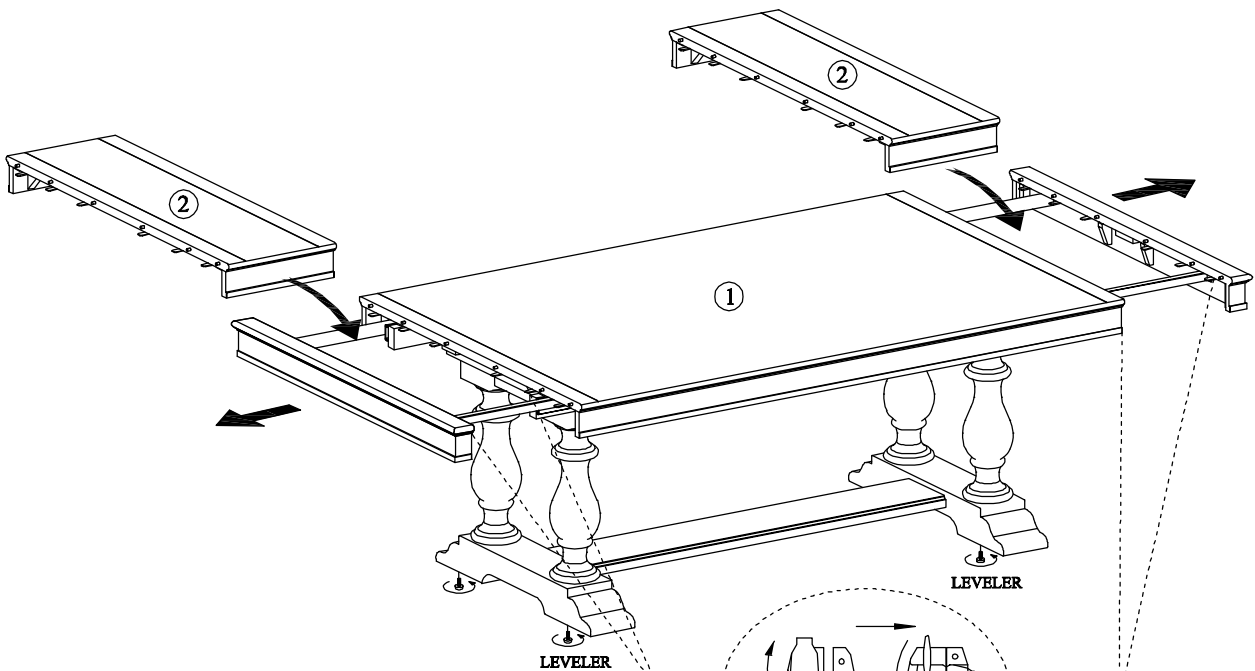
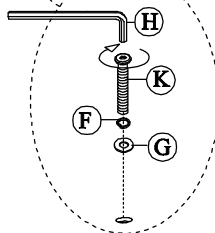
ASSEMBLY INSTRUCTIONS

ITEM 305-P381240 / 241

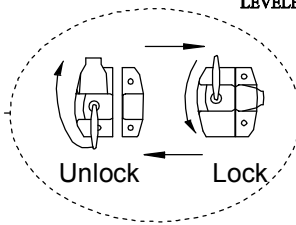
CHAPLEAU TABLE



STEP 3



STEP 4



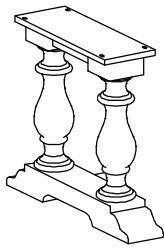


LIVING SPACES

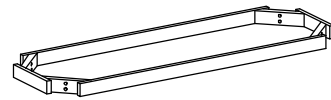
REPLACEMENT PARTS

ITEM 305-P381240 / 241

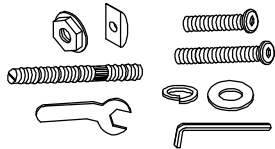
CHAPLEAU TABLE



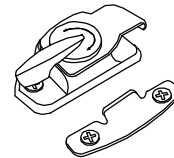
x2 RP381240-LEG
Table Leg



x1 RP381241-FRAME
Frame



x1 RP381240-HWKIT
Hardware Kit



x8 RP381241-LOCK
Table Lock



x4 RC-WH-BROWN
Brown Plastic Nail



x1 RP381240-STRET
Table Stretcher