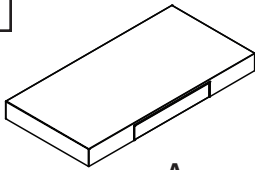


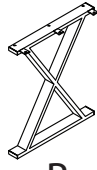
Part # OFD_TM_LSTR_XX

14-0528

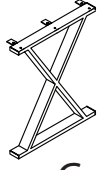
PARTS



A



B



C



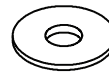
x6
(m6 x 40mm)

D

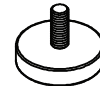


x6
(m6 x 20)

E

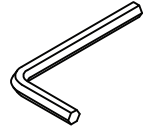


F



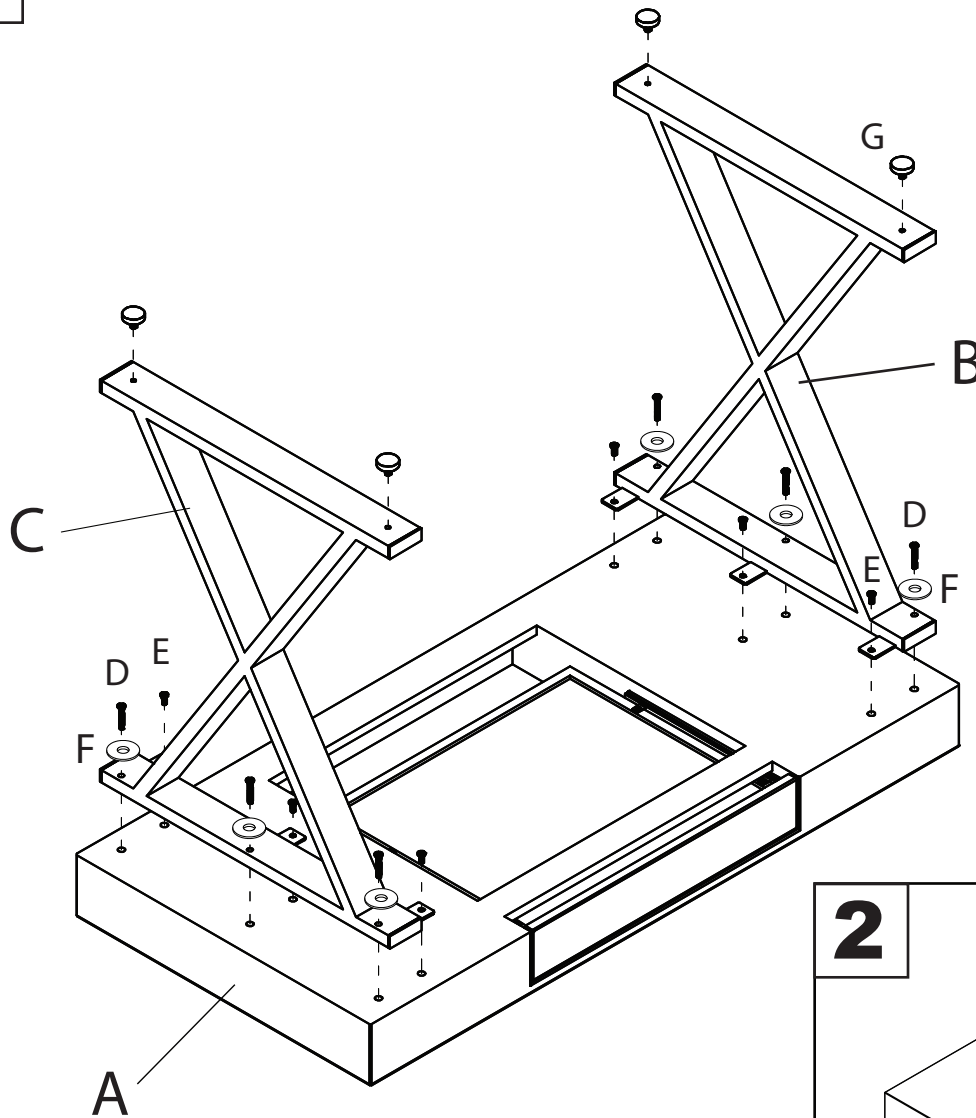
x4

G

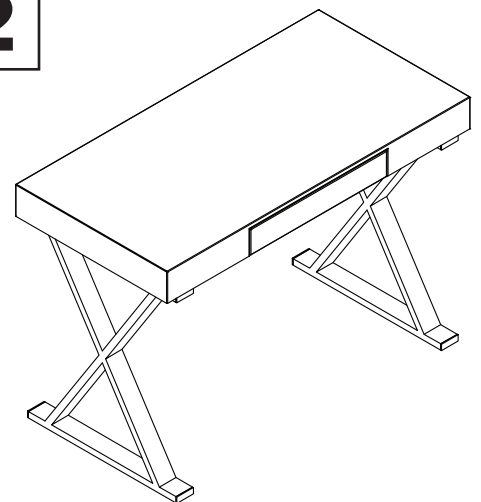


H

1



2



Do not over tighten.
 Do not use power tools to assemble.