

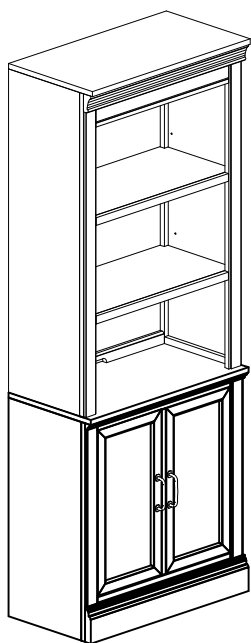


LIVING SPACES



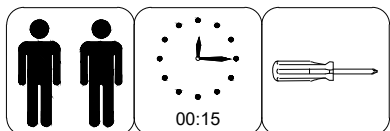
A	PH5567-24B		X1
B	PH5567-24T		X1
C	PH5567-24WT		X1
D	PH5567-24HD-D		X2
E	PH5567-24HD-E		X2
F	PH5567-24HD-F		X2
G	PH5567-24HD-G		X1

CAMBRIA

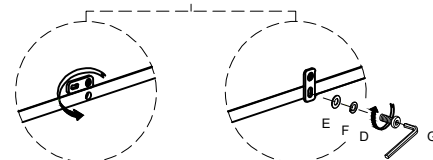
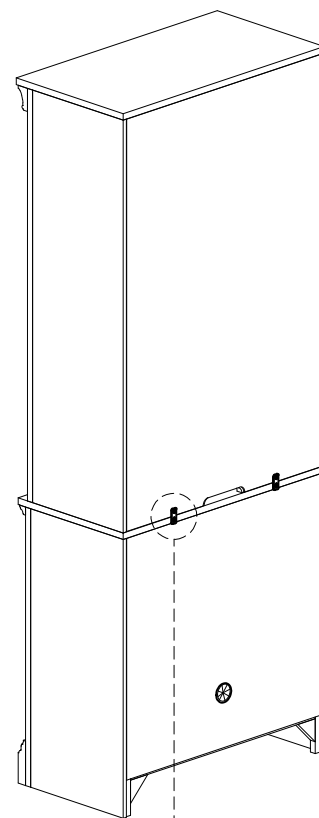
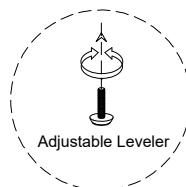
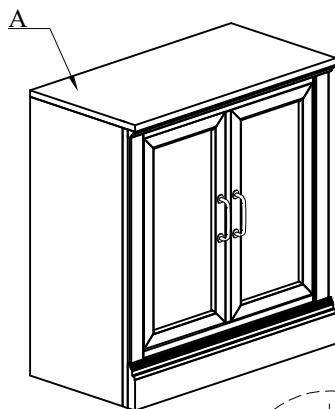
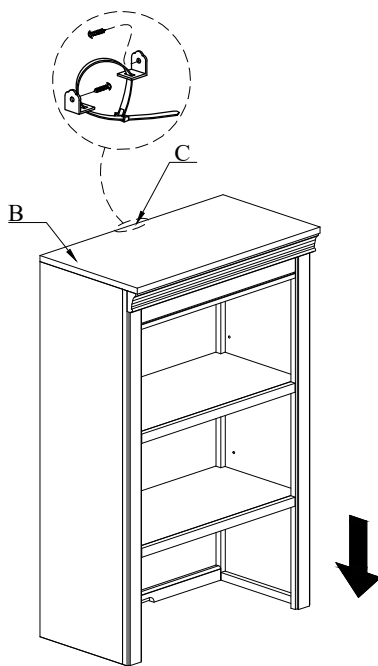


321112/321111/326560
H5567-24T/B

BOOKCASE TOP SU
BOOKCASE BASE SU



Not provided



ASSEMBLY COMPLETE



WARNING:
ONLY USE THE HAND
TOOLS PROVIDED