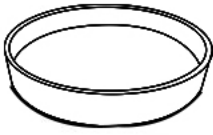


Pebble End Table

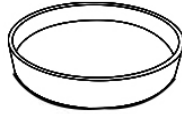
Part # TE2-PEBBLE XX

22-1114

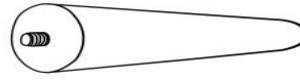
PARTS



A



B



x4

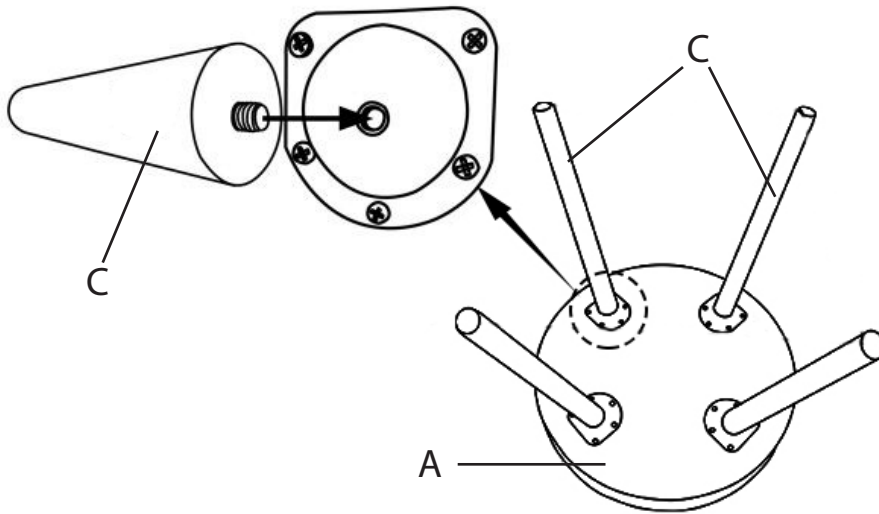
C



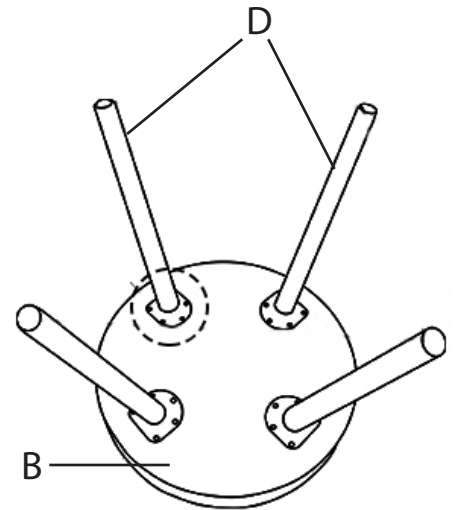
x4

D

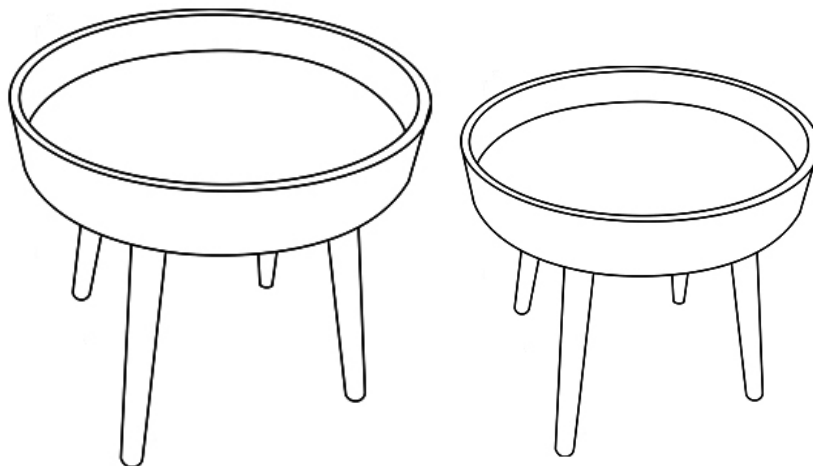
1



2



3



⚠ WARNING:

- Read all instructions carefully and completely before assembly and use. Retain for future reference.
- Keep plastic bags and small parts away from children.
- For residential (non-commercial) use only.
- DO NOT sit or stand on product. Use only for intended table purpose.
- Max weight limit 50 lbs.
- Periodically check for loose hardware; retighten as necessary.
- DO NOT use product if any component becomes damaged.
- DO NOT use power tools to assemble OR overtighten hardware.