

Fran Bench

Part # BC-FRAN XX+XX

22-0707

PARTS



A



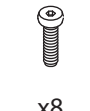
B



C



x2
D



x8
(M6x16mm)
E



x10
(M6x45mm)
F

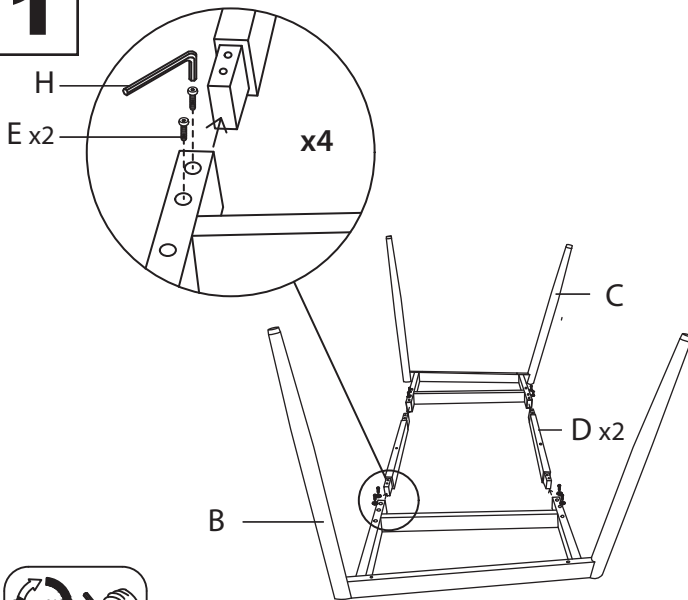


x10
G

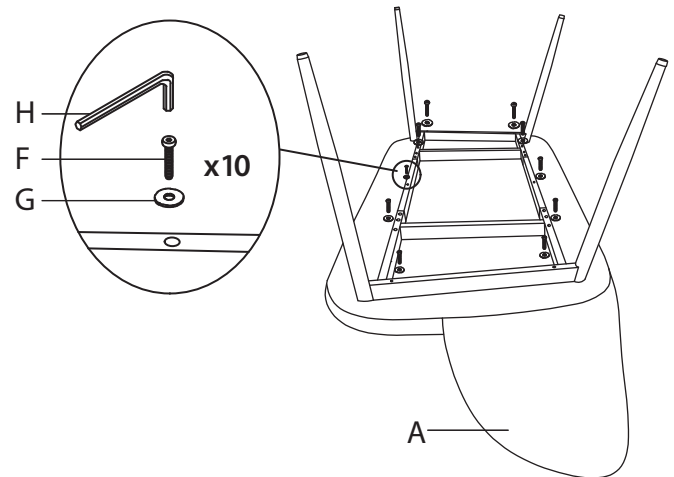


H

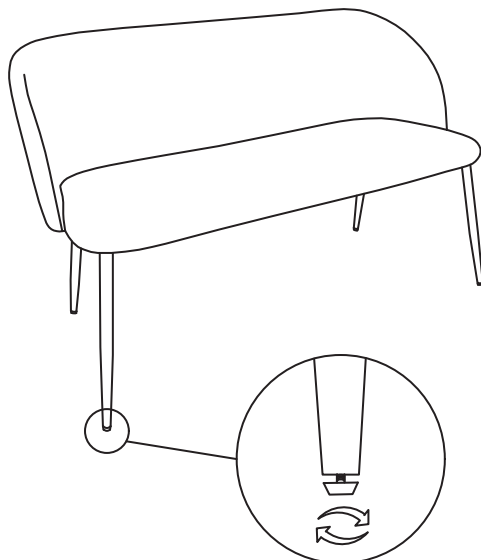
1



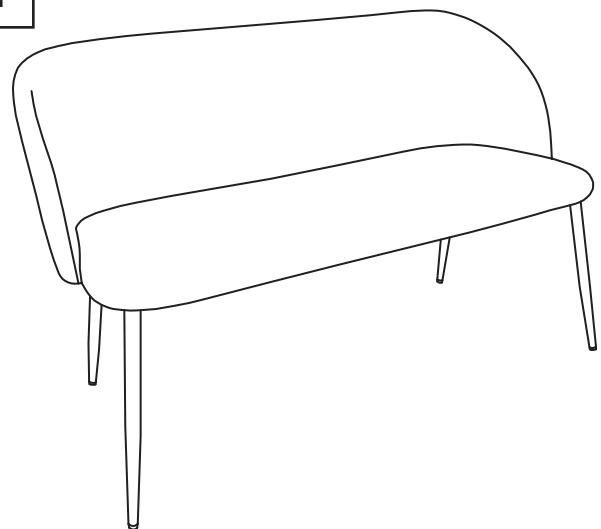
2



3



4



⚠ WARNING: SEATING: CHAIR, COUNTER/BAR, OFFICE

- Read all instructions carefully and completely before assembly and use. Retain for future reference.
- Keep plastic bags and small parts away from children.
- For residential (non-commercial) use only.
- DO NOT stand on product. Use only for intended table purpose.
- Max weight limit 250 lbs.
- Periodically check for loose hardware; retighten as necessary.
- DO NOT use product if any component becomes damaged.
- DO NOT use power tools to assemble OR overtighten hardware.