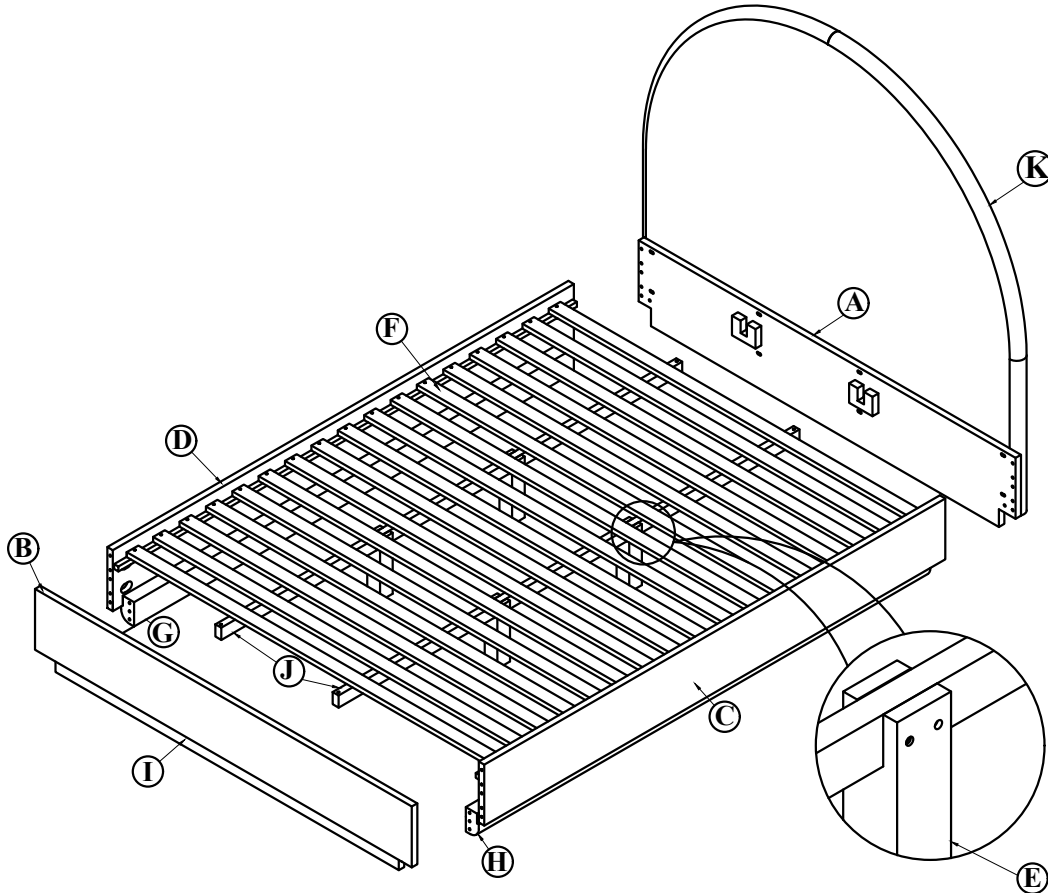




CAUTION: PLEASE READ ALL INSTRUCTIONS BEFORE STARTING THE ASSEMBLY OF THIS PRODUCT. THESE PIECES ARE HEAVY. IN ORDER TO PREVENT PERSONAL INJURIES AND ENSURE THAT THIS PRODUCT IS NOT DAMAGED DURING THE ASSEMBLY PROCESS, IT IS STRONGLY RECOMMENDED THAT YOU REQUIRE HELP FROM ONE OR MORE PEOPLE.

ATTENTION: VEUILLEZ LIRE TOUTES LES INSTRUCTIONS AVANT DE COMMENCER L'ASSEMBLAGE DE CE PRODUIT. LES DIFFÉRENTES PARTIES SONT LOURDES AFIN DE PARER TOUTE BLESSURE ET D'ÉVITER QUE LE PRODUIT NE SUBISSE DES DOMMAGES. IL EST FORTEMENT RECOMMANDÉ DE DEMANDER DE L'AIDE DE LA PART D'UNE OU PLUSIEURS PERSONNES DURANT L'ASSEMBLAGE.

CUIDADO: FAVOR DELEER TODAS LAS INSTRUCCIONES ANTES DE ENSAMBLAR SU PRODUCTO. ESTAS PIEZAS SON PESADAS. PARA PREVENIR HERIDAS PERSONALES Y ASEGURAR QUE SU PRODUCTO NO SEA DANADO MIENTRAS ES ENSAMBLADO SE RECOMIENDA LA ASISTENCIA DE UNA O MAUS PERSONAS.



LIST OF PARTS AND HARDWARE

No.	Description	Q'ty
A	BED FRAME	1
B	FOOTBOARD	1
C	SIDE RAIL RIGHT	1
D	SIDE RAIL LEFT	1
E	SUPPORT LEG WITH BOLT ATTACHED HEAD	4
F	MATTRESS SLAT	17
G	RAIL LEG LEFT	1
H	RAIL LEG RIGHT	1
I	RAIL LEG FRONT	1
J	CENTER RAIL	2
K	HEADBOARD	1

LIST OF PARTS AND HARDWARE

No.	Description	Q'ty
1	Dowel	Ø9.6*30 28
2	Key	M4 1
3	Bolt	M6*60 12
4	Bolt	M6*50 14
5	Half circle washer	14.5*28*7.3*8 6
6	Screws	M4*35 42
7	Screws	M4*45 4
8	Barrel bolt	M6*13 6
9	Flat washer	M8*22 8
10	Bolt	M8*60 8
11	Lock washer	M8*13 8



LIVING SPACES

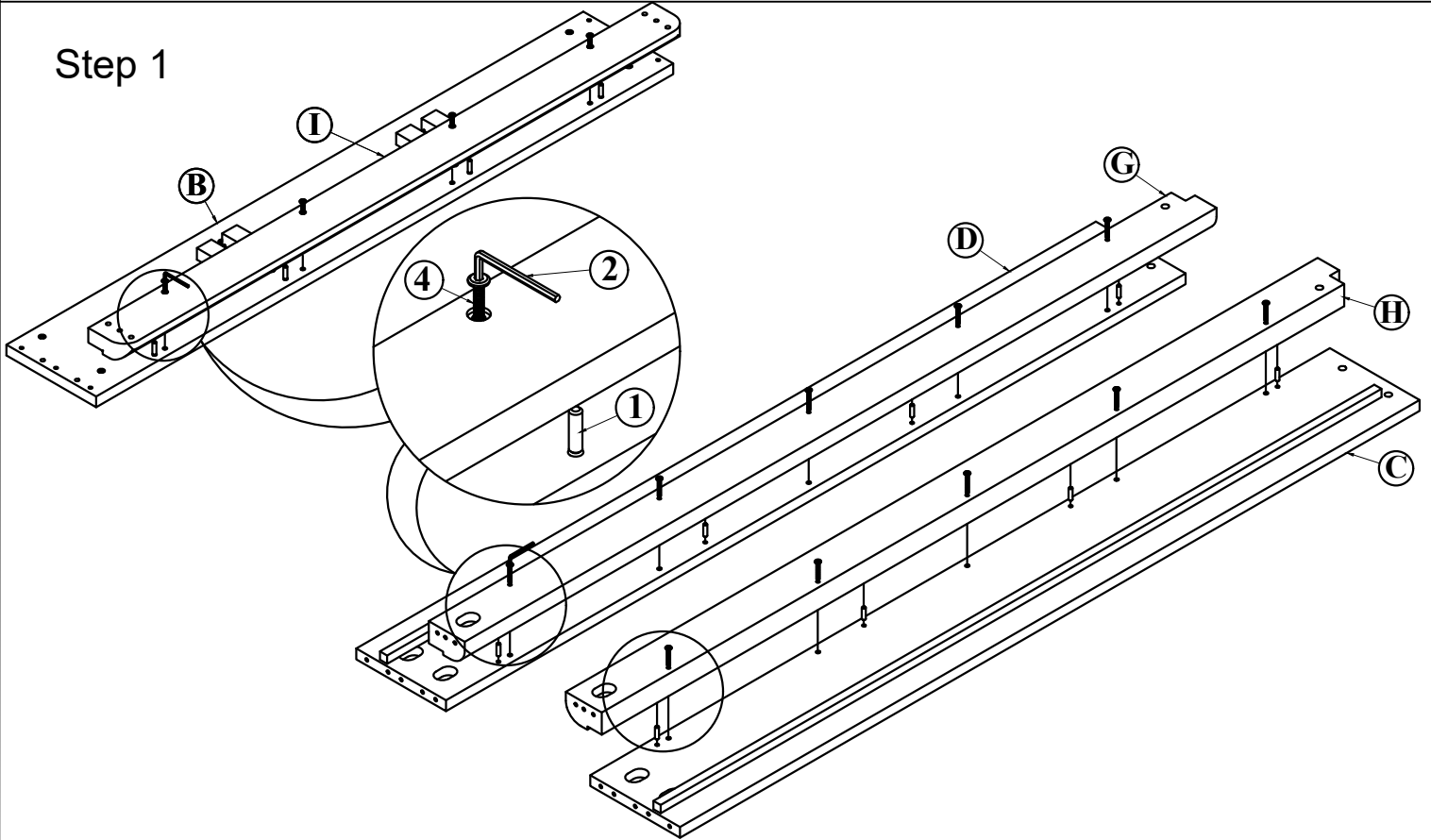
ASSEMBLY INSTRUCTIONS

CATANIA CAL KING PLATFORM BED WITH HEADBOARD

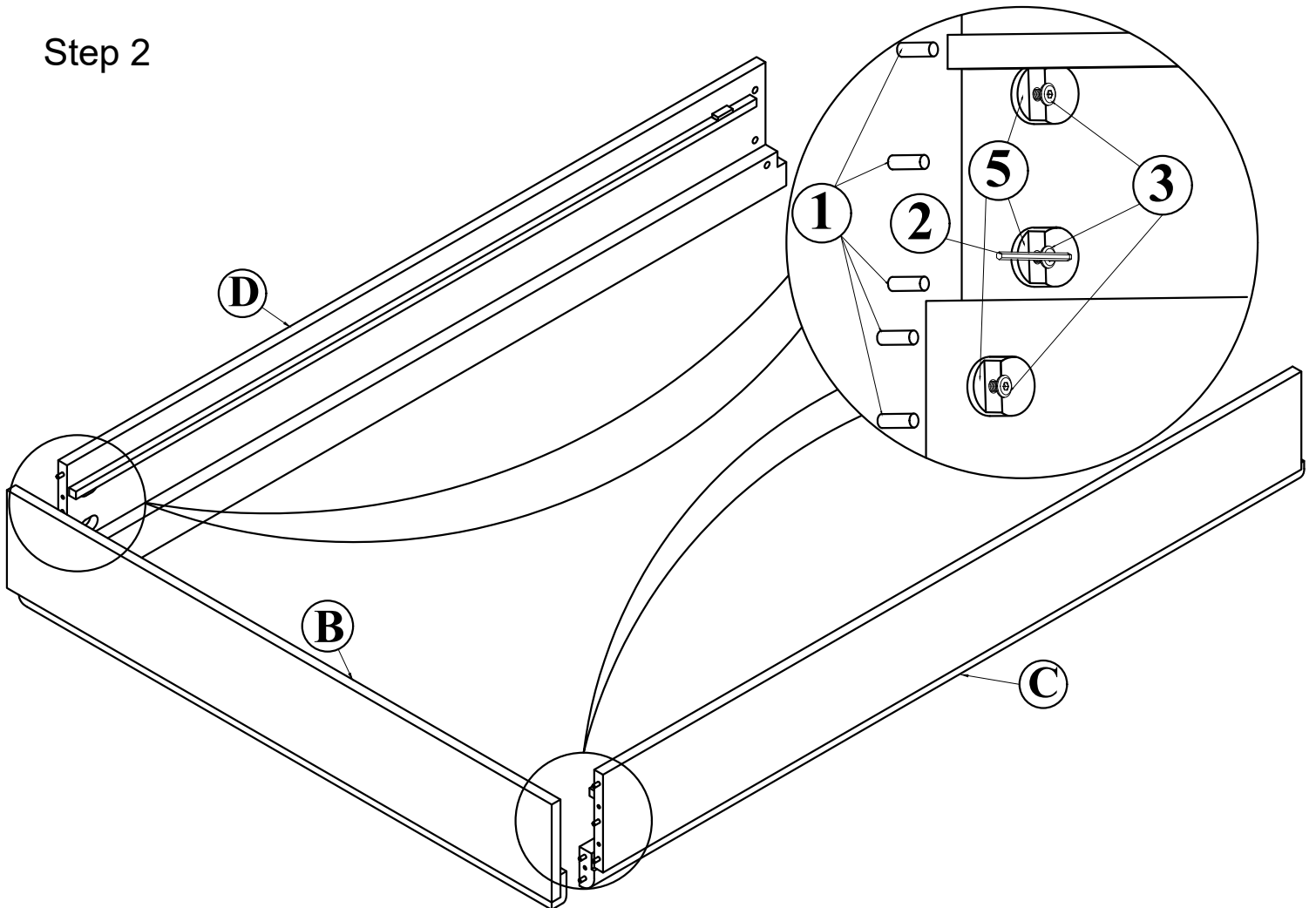
CAL KING PLATFORM LS SKU # 326510
CAL KING HEADBOARD LS SKU # 326518



Step 1



Step 2





LIVING SPACES

ASSEMBLY INSTRUCTIONS

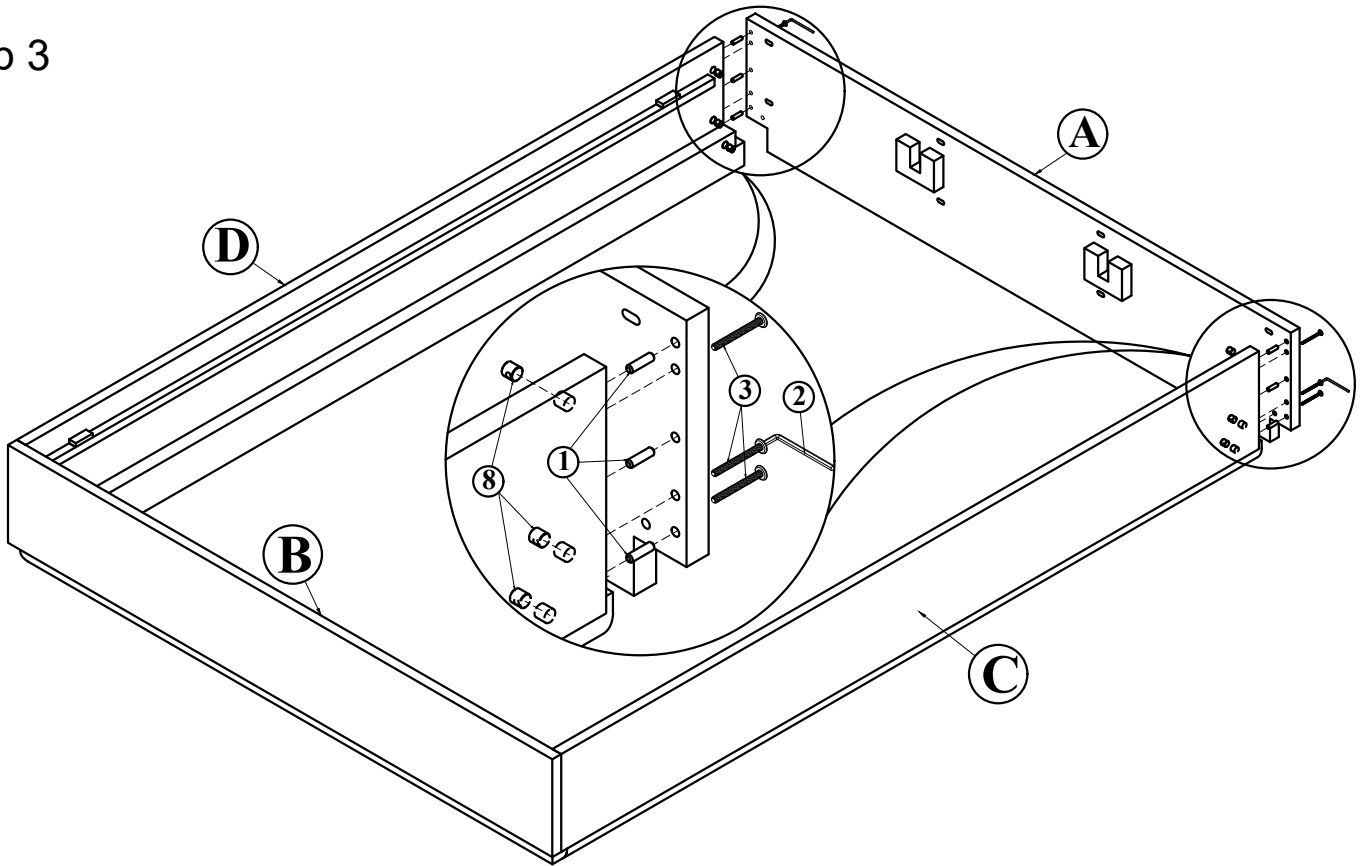
CATANIA CAL KING PLATFORM BED WITH HEADBOARD

CAL KING PLATFORM LS SKU # 326510

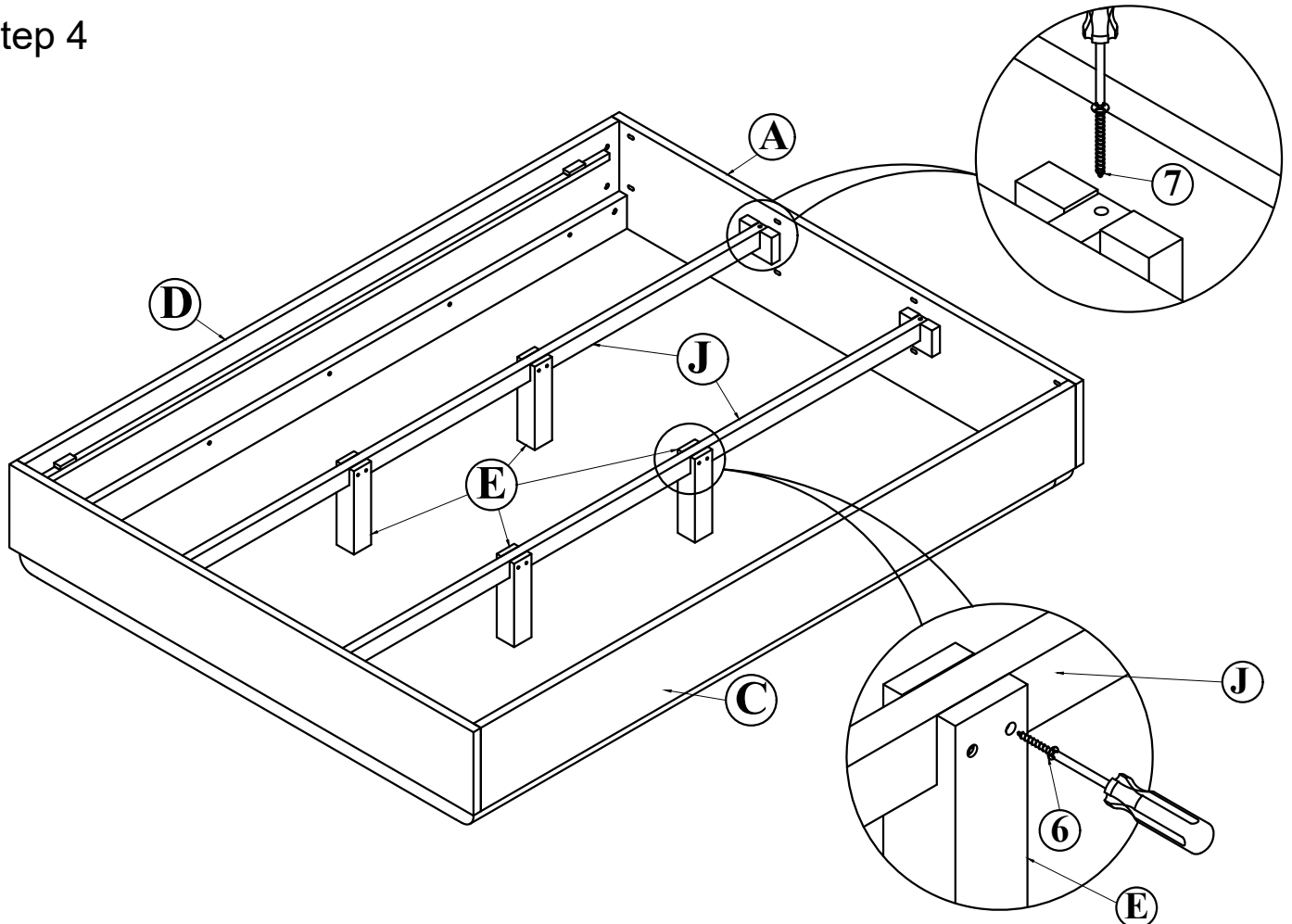
CAL KING HEADBOARD LS SKU # 326518



Step 3



Step 4





LIVING SPACES

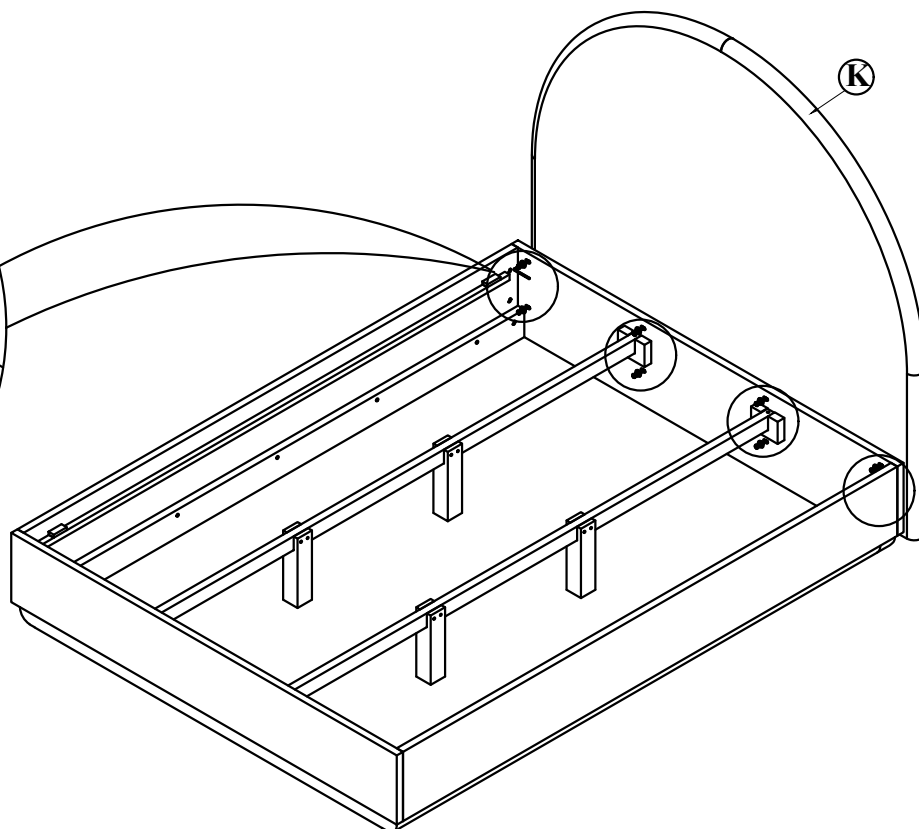
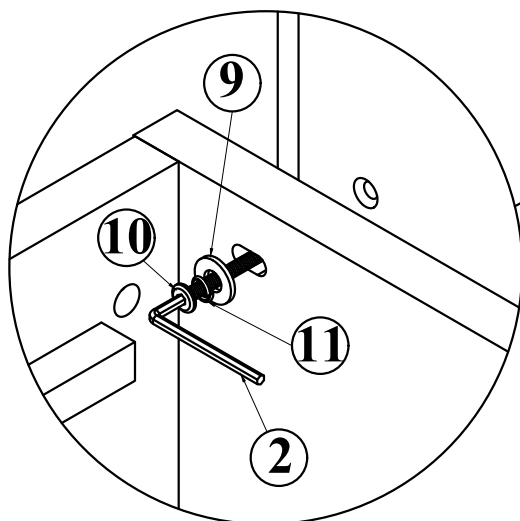
ASSEMBLY INSTRUCTIONS

CATANIA CAL KING PLATFORM BED WITH HEADBOARD

CAL KING PLATFORM LS SKU # 326510
CAL KING HEADBOARD LS SKU # 326518



Step 5



Step 6

