



LIVING SPACES

BOX OF HEADBOARD (BOX 1)

| | | | |
|---|----------------|--------------------------------|-----|
| 1 | PTB5665-54H | | X1 |
| 2 | PB5665-54H-HL1 | | X1 |
| 3 | PB5665-54H-HL2 | | X1 |
| 4 | PB5665-54H-SR | | X2 |
| 9 | PB5665-54H-MP | | X2 |
| D | PB5665-54H-HD | | X1 |
| | | 1/2" | |
| E | PB5665-54H-HD | | X12 |
| | | 5/16" DIAMETER X 3/4" X 1/16" | |
| F | PB5665-54H-HD | | X12 |
| | | 5/16" DIAMETER X 1/2" X 1/16" | |
| G | PB5665-54H-HD | | X12 |
| | | 5/16" DIAMETER X 1-3/4" LENGTH | |

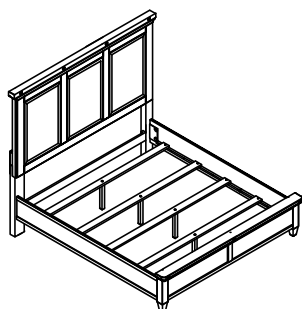
BOX OF SIDE RAIL, SLATS & SUPPORT LEG (BOX 2)

| | | | |
|---|---------------|--------------------------------|----|
| 6 | PB5665-54R | | X2 |
| A | PB5665-54R-HD | | X8 |
| | | 5/16" DIAMETER X 4 1/2" LENGTH | |
| B | PB5665-54R-HD | | X8 |
| | | 5/16" DIAMETER | |
| C | PB5665-54R-HD | | X8 |
| | | 5/16" DIAMETER | |
| D | PB5665-54R-HD | | X1 |
| | | 1/2" | |

BOX OF FOOTBOARD (BOX 3)

| | | | |
|---|---------------|--------------------|----|
| 5 | PTB5665-54F | | X1 |
| 7 | P99-00QSL-YY | | X4 |
| 8 | PB5665-54F-SS | | X4 |
| H | P99-00SR | | X8 |
| | | M4 X 1 1/4" LENGTH | |

ELOISE



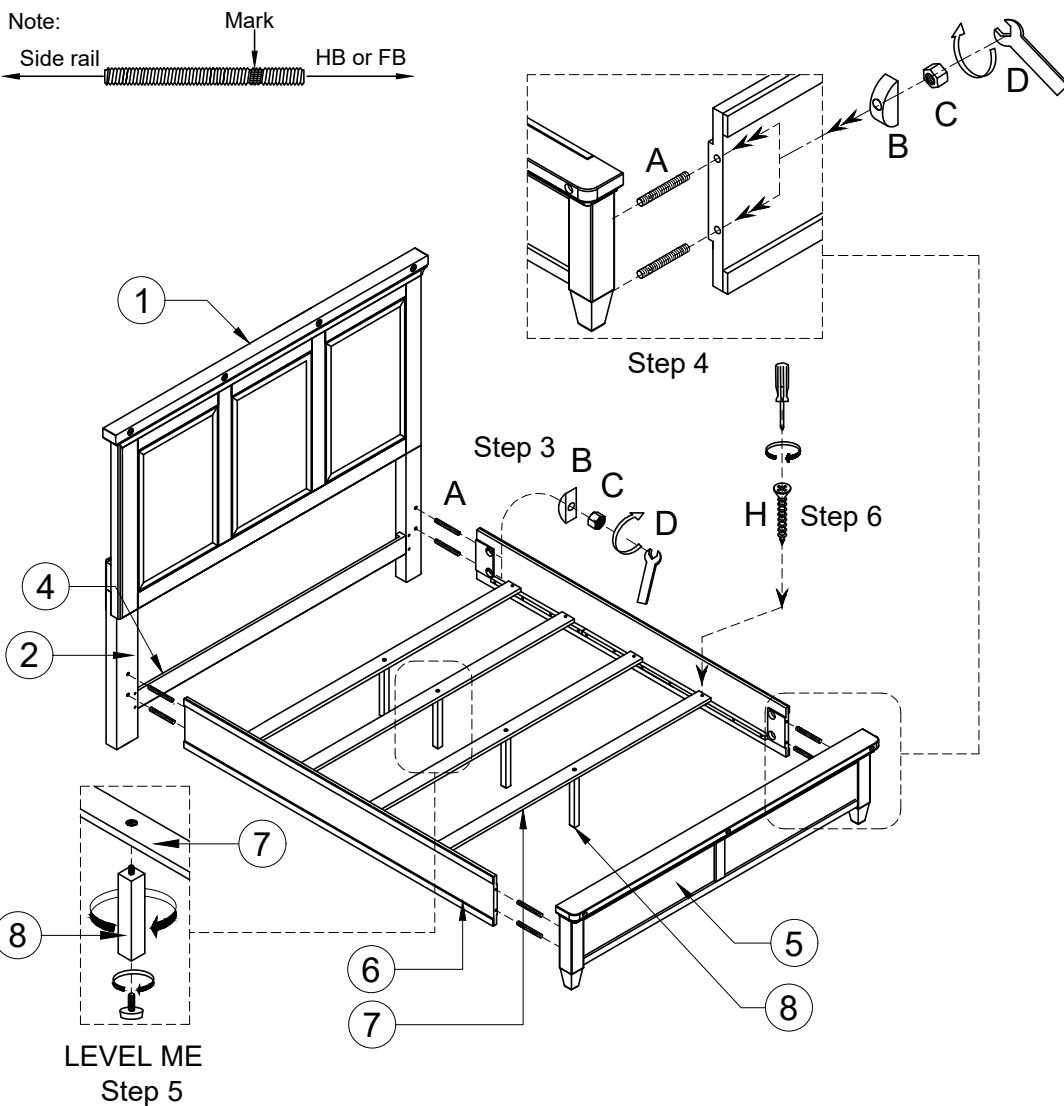
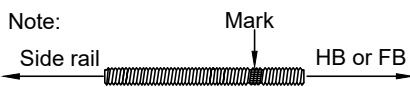
326486 / B5665-54
BLACK QUEEN PANEL BED



Not provided



WARNING:
ONLY USE THE HAND
TOOLS PROVIDED



ASSEMBLY COMPLETED