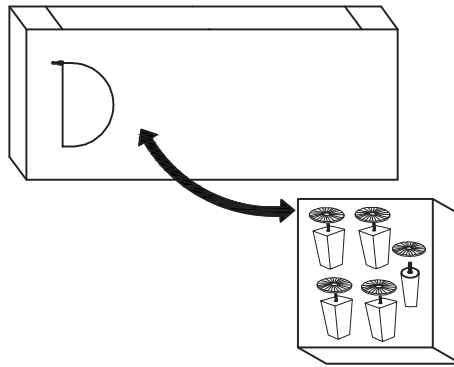


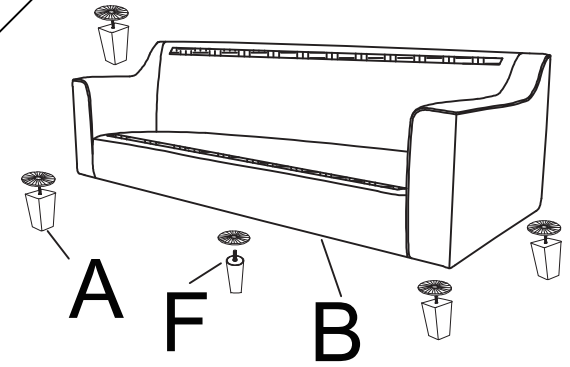
**PARTS LIST**

No.	DESCRIPTION	IMAGE	Q'TY
A	WOOD LEG		4
B	SOFA SEAT		1
C	SEAT CUSHION		3
D	BACK CUSHION		3
E	PILLOW		2
F	PLASTIC LEG		1

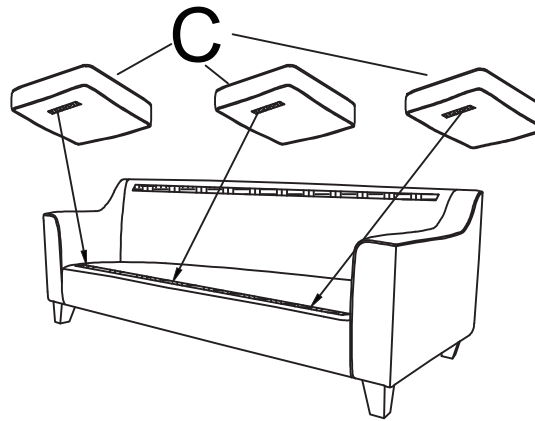
1



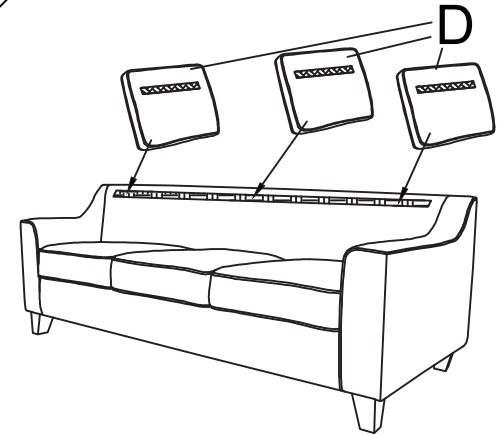
2



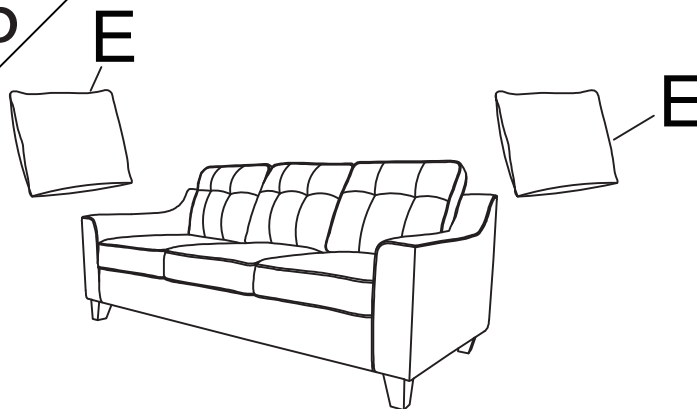
3



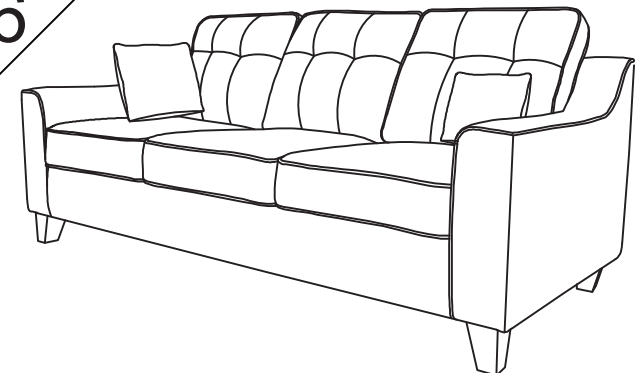
4



5






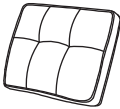
6



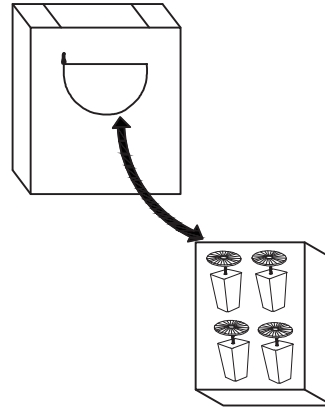
**NOTE:** PO # is located underneath/ at the back side of each item. Please be prepared to provide this # should any claim be necessary.

**CAUTION:** Item is heavy. Assembly should be performed by two people.

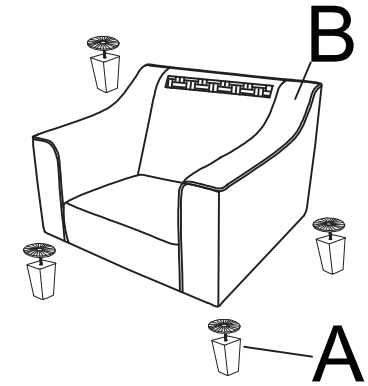
**PARTS LIST**

No.	DESCRIPTION	IMAGE	Q'TY
A	WOOD LEG		4
B	CHAIR SEAT		1
C	SEAT CUSHION		1
D	BACK CUSHION		1

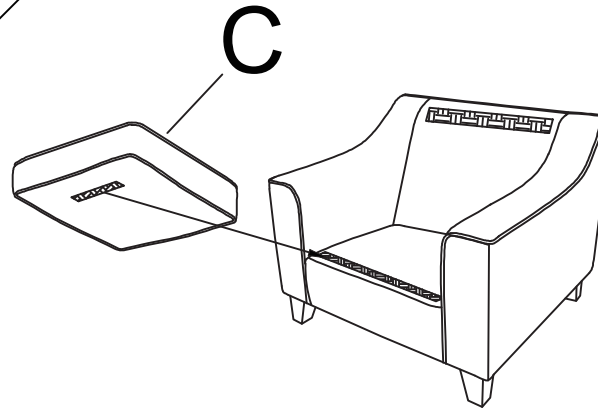
1



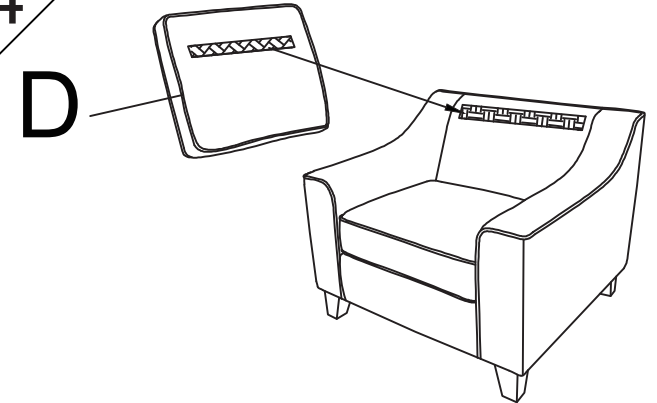
2



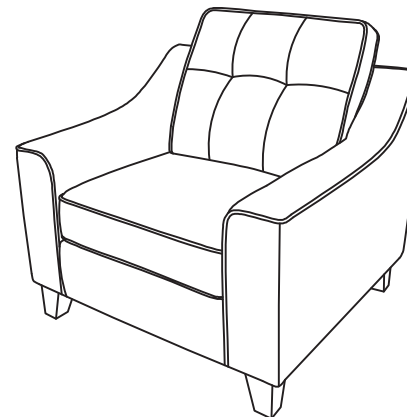
3



4



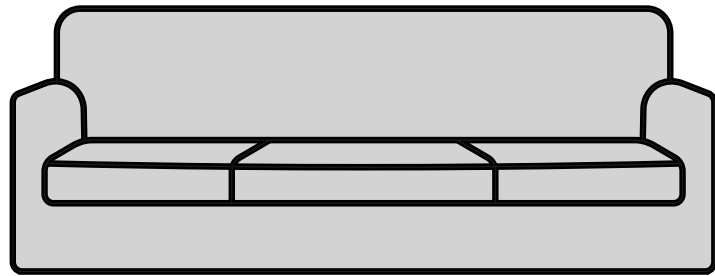
5



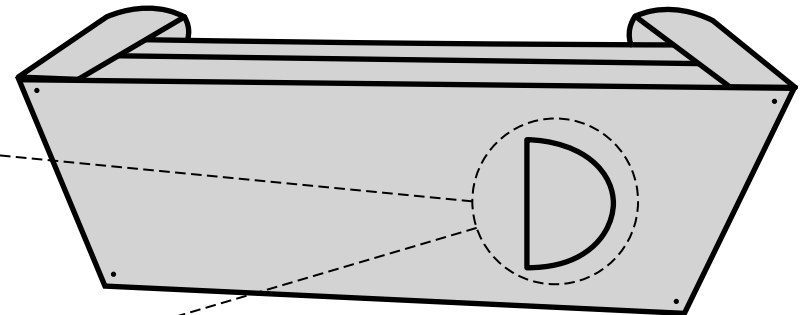
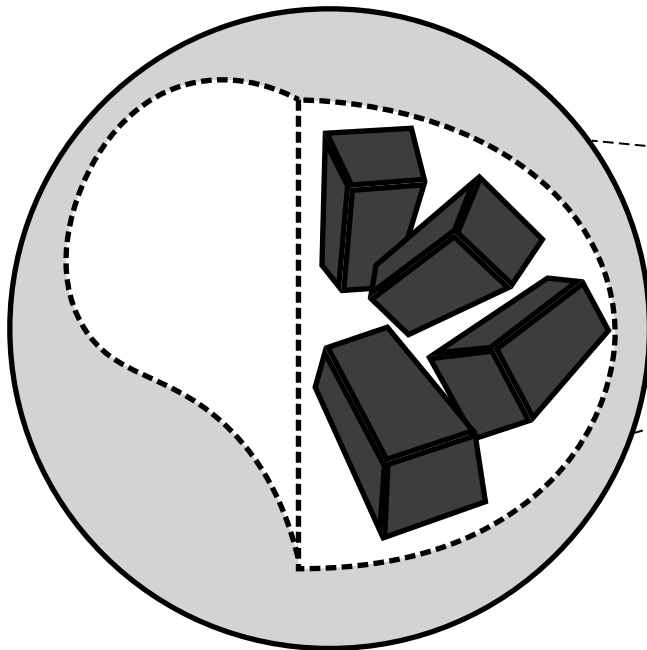
**NOTE:** PO # is located underneath/ at the back side of each item. Please be prepared to provide this # should any claim be necessary.

**CAUTION:** Item is heavy. Assembly should be performed by two people.

# How to Find Your Furniture Legs *Cómo encontrar las patas de su mueble*



Gently lay sofa/love seat on it's back  
*Coloque suavemente el sofá o el sofá de dos plazas sobre su respaldo*



Locate the compartment underneath sofa/love seat  
*Encuentre el compartimento debajo del sofá*

Open compartment to locate upholstery legs and assembly instructions  
*Habrá el compartimento para localizara las patas del sofá y las instrucciones de asamblea*