



LIVING SPACES

# Assembly Instruction For

LAKELAND ROUND 48" GLASS TOP & LAKELAND ROUND GLASS BASE

ITEM: DTLAKEGT & DTLAKEGTB

SKU#: 326017 & 326016

**CAUTION:** PLEASE READ ALL INSTRUCTION BEFORE STARTING THE ASSEMBLY OF THIS PRODUCT. THESE ARE HEAVY. IN ORDER TO PREVENT PERSONAL INJURY AND ENSURE THAT THIS PRODUCT IS NOT DAMAGED DURING THE ASSEMBLY PROCESS. IT IS STRONGLY RECOMMENDED THAT YOU ENLIST THE ASSISTANCE OF ONE OR MORE PEOPLE.

**CUIDADO:** FAVOR DE LEER TODAS LAS INSTRUCCIONES MANTES DE ENSAMBLAR SU PRODUCTO. ESTAS PIEZAS SON PESADAS. PARA PREVENIR HERIDAS PERSONALES Y ASEGURAR QUE SU PRODUCTO NO SEA DANADO MIENTRAS ES ANSAMBLADO, SE RECOMIENDA LA ASISTENCIA DE UNA O MAUS PERSONAS.

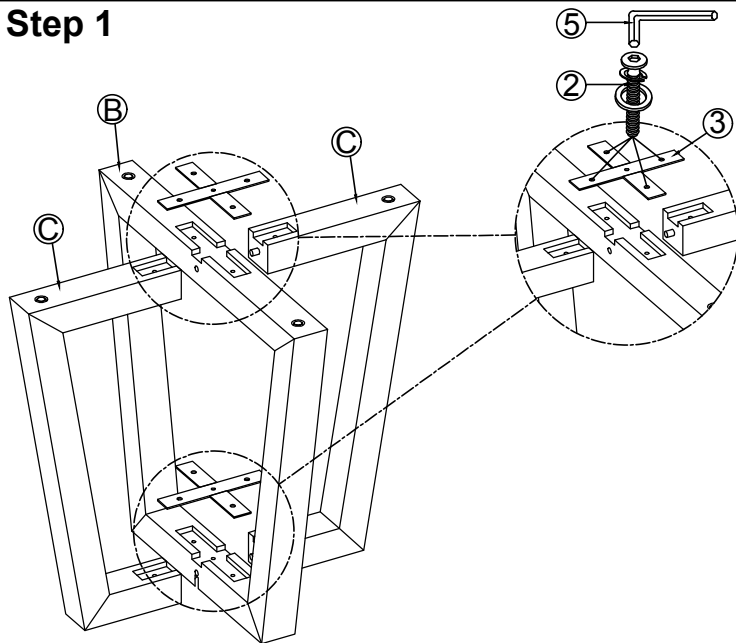
**WARNING.....**PROTECTIVE GLIDE IS PLACED UNDER LEGS OF FURNITURE TO RESIST SCRATCHES TO FLOOR SURFACE. SOME FLOOR SURFACES CAN BE EXTRA SENSITIVE TO MARKING. IF YOU ARE NOT SURE CONSULT WITH YOUR DEALER.

**AVERTISSEMENT...**LES PIEDS DES MEUBLES SONT MUNIS DE PAINTS DESTINÉS À PROTÉGER LE PLANCHER. CERTAINS REVÊTEMENTS DE SOL PEUVENT ÊTRE TRÈS FRAGILES. EN CAS DE DOUTE, CONSULTER LA MARCHAND.

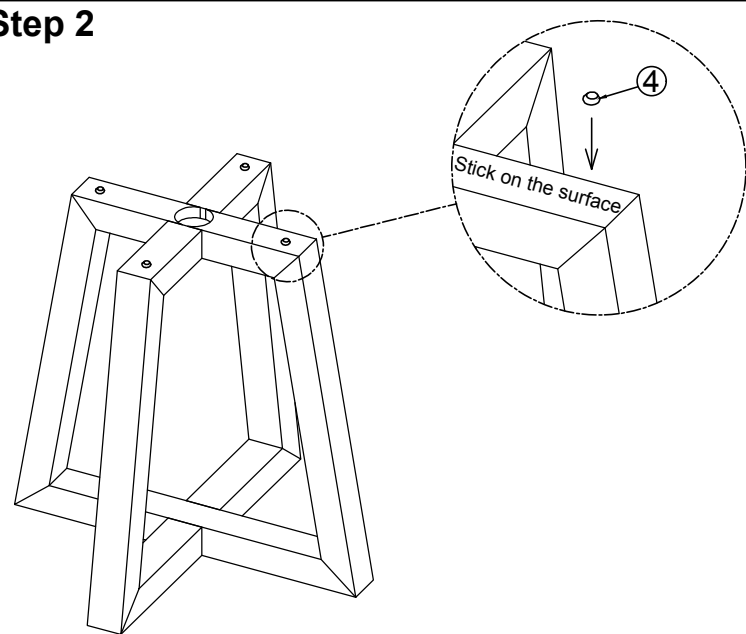
NO.	Parts list		Q' TY
A		LAKELAND ROUND 48" GLASS TOP	1
B		LAKELAND ROUND GLASS BASE LEG - 1	1
C		LAKELAND ROUND GLASS BASE LEG - 2	2

NO.	Hardware List		Q' TY
1		Ø5/16*45mm(Nice Lock)	1
		Spring Washer (Ø5/16*13mm)	1
		Flat Washer (Ø5/16*19mm)	1
2		Ø5/16*25mm(Nice Lock)	8
		Spring Washer (Ø5/16*13mm)	8
		Flat Washer (Ø5/16*19mm)	8
3		Steel Crossbar	2
4		Rubber (Ø15*2mm)	4
5		Allen Key (M4*59mm)	1

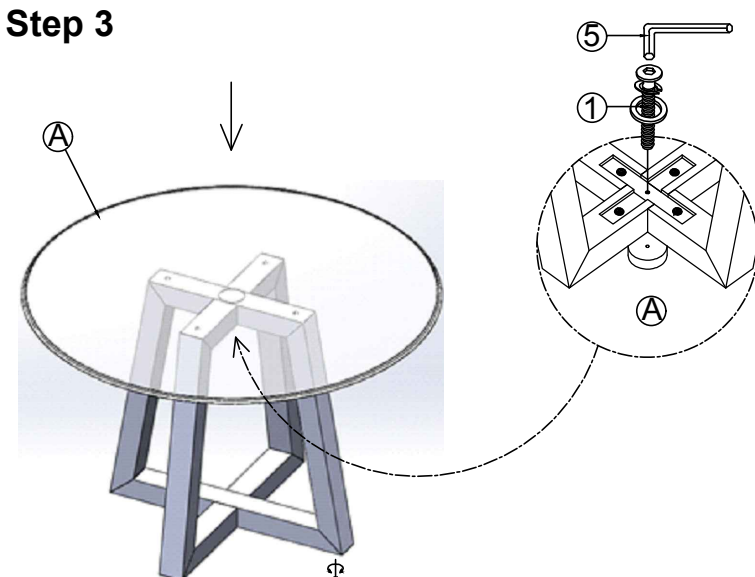
## Step 1



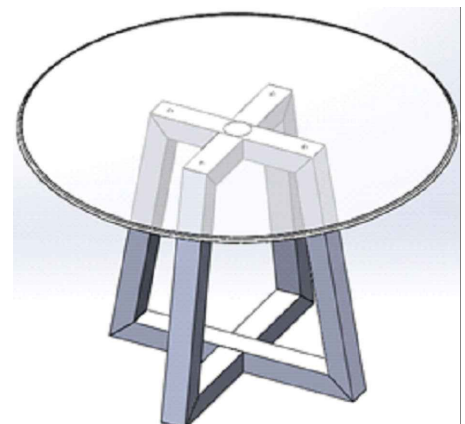
## Step 2



## Step 3



## Step 4



Leveler 4pcs  
Adjust the levelers until they are balanced and touching the floor.



Assembly completed  
Made in Vietnam