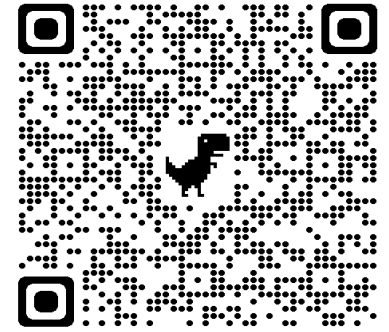




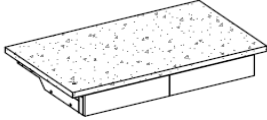
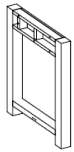

# LIVING SPACES

## ASSEMBLY INSTRUCTIONS

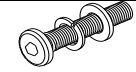
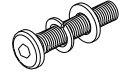
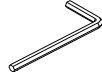

Titan Kitchen Island  
ITEM No.: 51031255

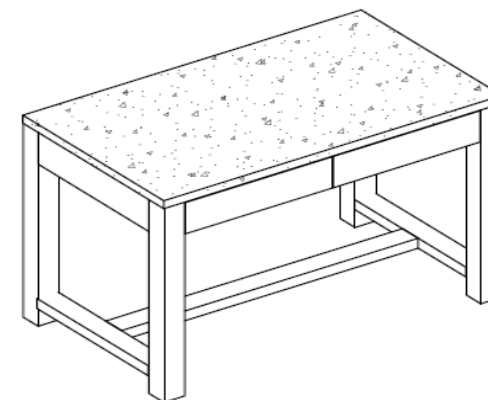


**(BOX 1)**  
**Box of Table Top / Leaf/ Top Support/ Stretcher**

SKU#	IMAGE	DESCRIPTION	QUANTITY
51031255		Table Top	1
		Leg	2
		Stretcher	1

**(BOX 1)**  
**Table Top / Leaf/ Top Support/ Stretcher Hardware List**

SKU#	IMAGE	DESCRIPTION	QUANTITY
Z1 Z3 Z4		Allen Bolt: Ø 8 x 60mm Sping Washer: Ø 8 x 12 x 2mm Washer: Ø 8 x 19 x 2mm	10
Z2 Z3 Z4		Allen Bolt: Ø 8 x 70mm Sping Washer: Ø 8 x 12 x 2mm Washer: Ø 8 x 19 x 2mm	2
Z5		Allen Key Ø4 x 59mm	1
Z6		Adjustable Floor Glide (Pre-installed at the bottom of the legs)	4



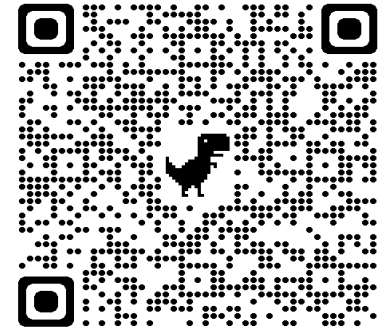
**COMPLETED ASSEMBLY**



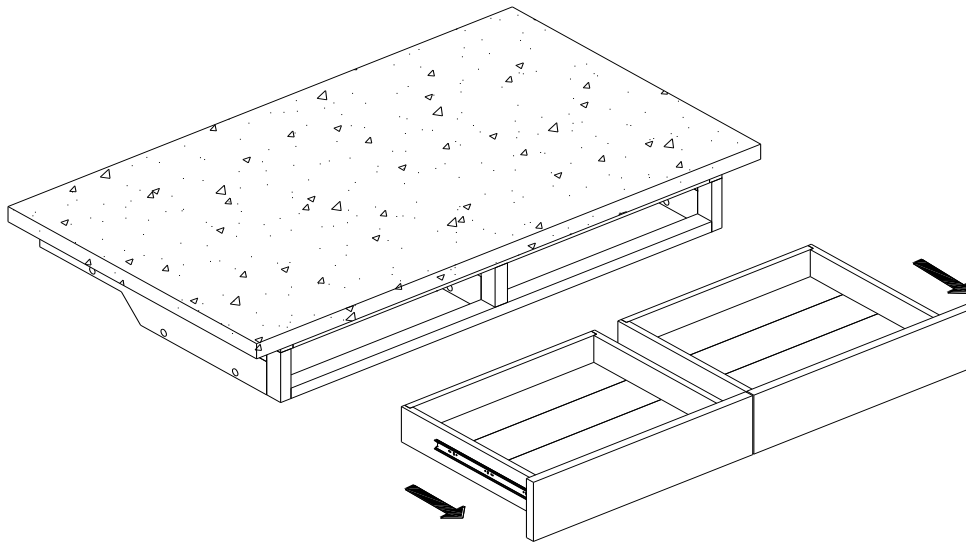
# LIVING SPACES

## ASSEMBLY INSTRUCTIONS

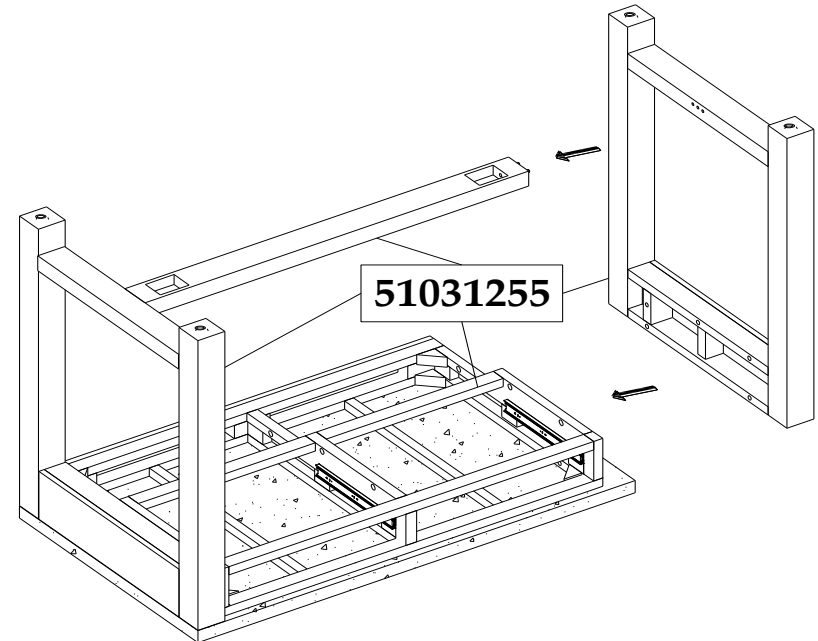
Titan Kitchen Island  
ITEM No.: 51031255



### STEP 1



### STEP 2



- Put the Table top on a planket and take the drawwers out.

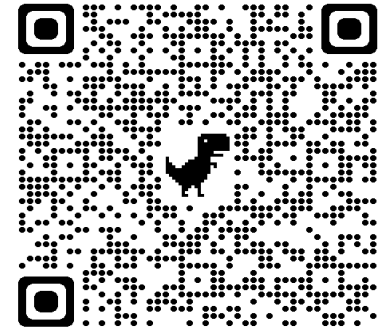
- With two people carefully turn the Table Top over.
- Then, Attach the Legs into the Table top and the Stretcher, as picture



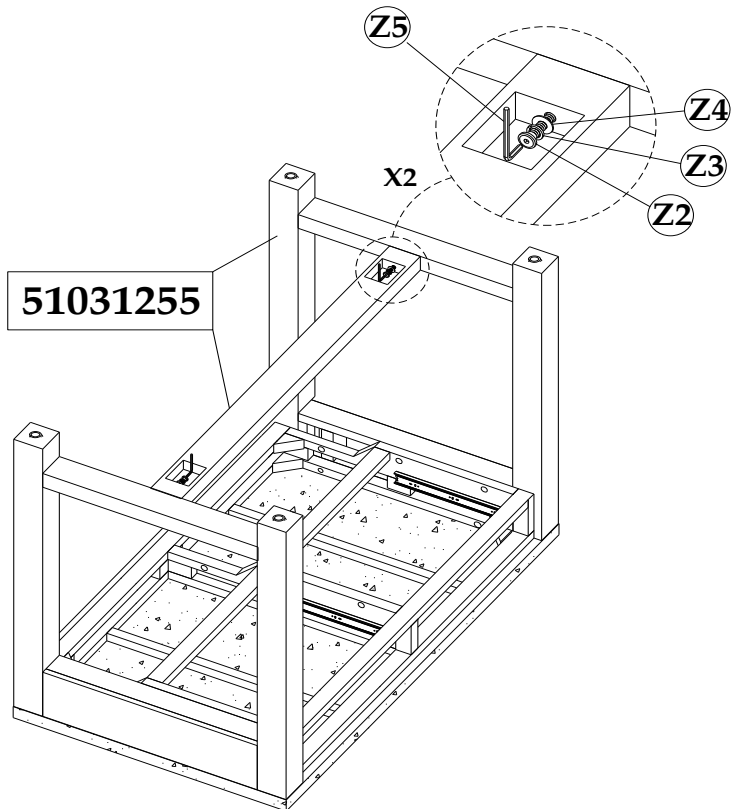
# LIVING SPACES

## ASSEMBLY INSTRUCTIONS

Titan Kitchen Island  
ITEM No.: 51031255

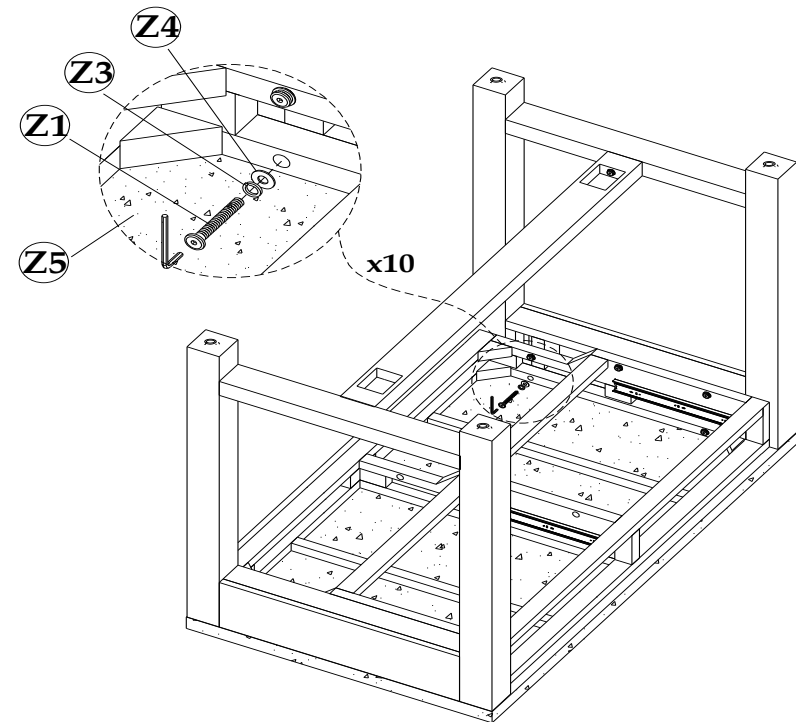


### STEP 3



- Install the Legs into the Stretcher by using Allen key (Z5) to tighten Allen Bolts (Z2), Spring washers (Z3), Washers (Z4) as picture.

### STEP 4



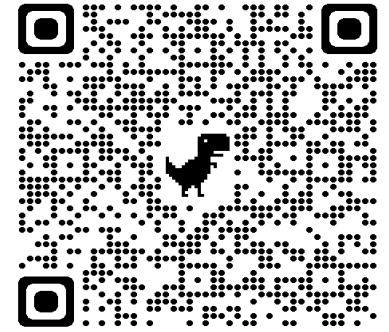
- Install the Legs into the Table Top by using Allen key (Z5) to tighten Allen Bolts (Z1), Spring washers (Z3), Washers (Z4) as picture.



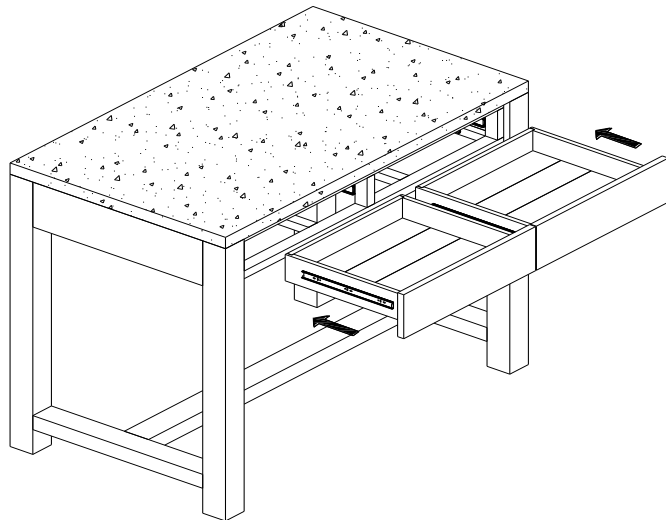
# LIVING SPACES

## ASSEMBLY INSTRUCTIONS

Titan Kitchen Island  
ITEM No.: 51031255



### STEP 5



- With two people carefully turn the Table over and stand on its legs.
- Insert the Drawers.

Adjustable Floor Glides were pre-installed at the bottom of the legs

**NOTE: MUST TIGHTEN SCREWS PERIODICALLY. WITH USE SCREW MAY BE COME LOOSE CHECK TIGHTNESS OF ALL SCREWS EVERY 6-8 WEEKS.**

### CLEANING INSTRUCTIONS

After assembly, clean & polish the completed parts if necessary with soft cloth and industrial recognized furniture polish.

### STEP 6

