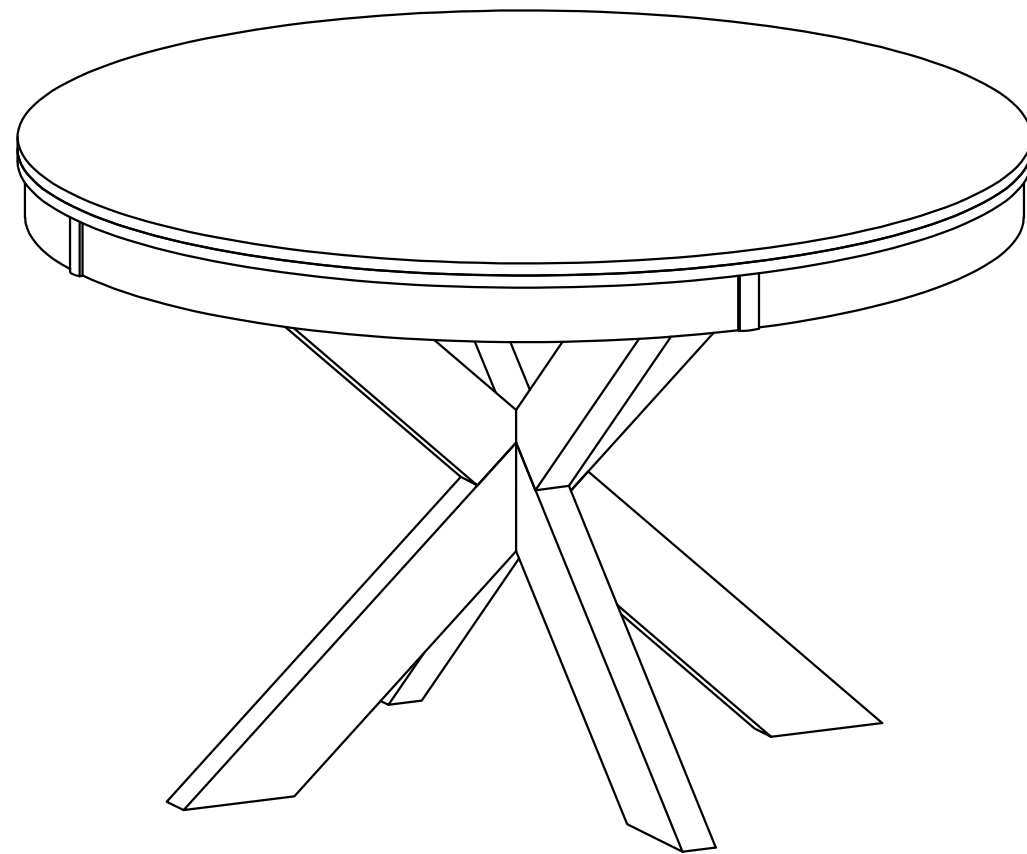


Scan QR code to view assembly video

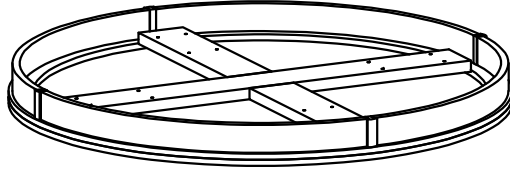
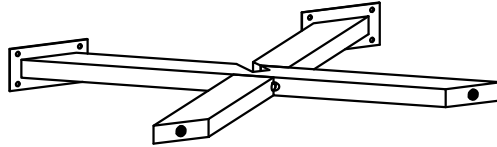
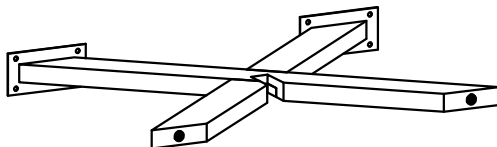
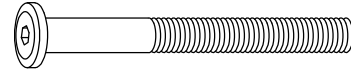
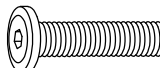


# POLLIE 48" ROUND DINING TABLE



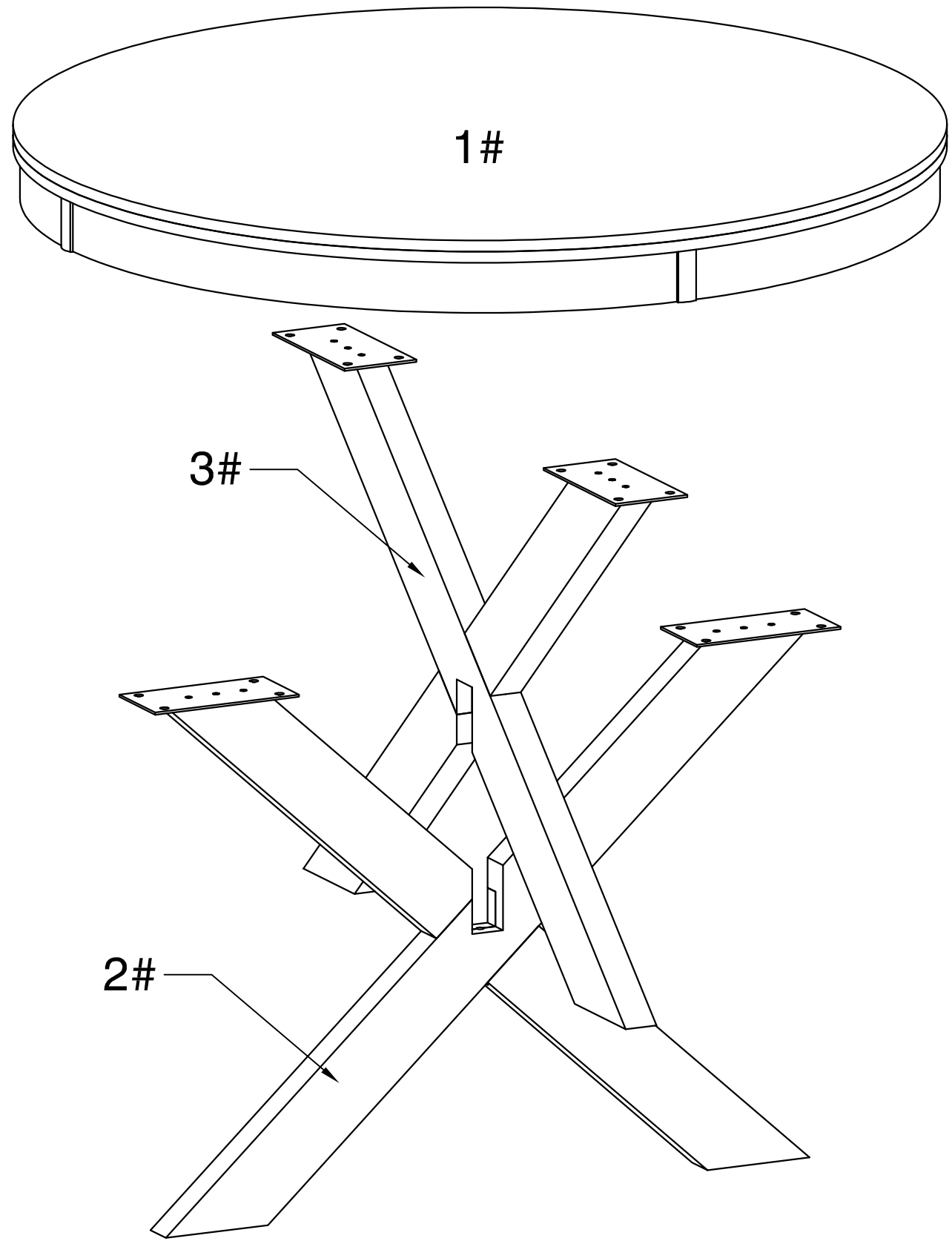
RS 2023 T61 / 325631



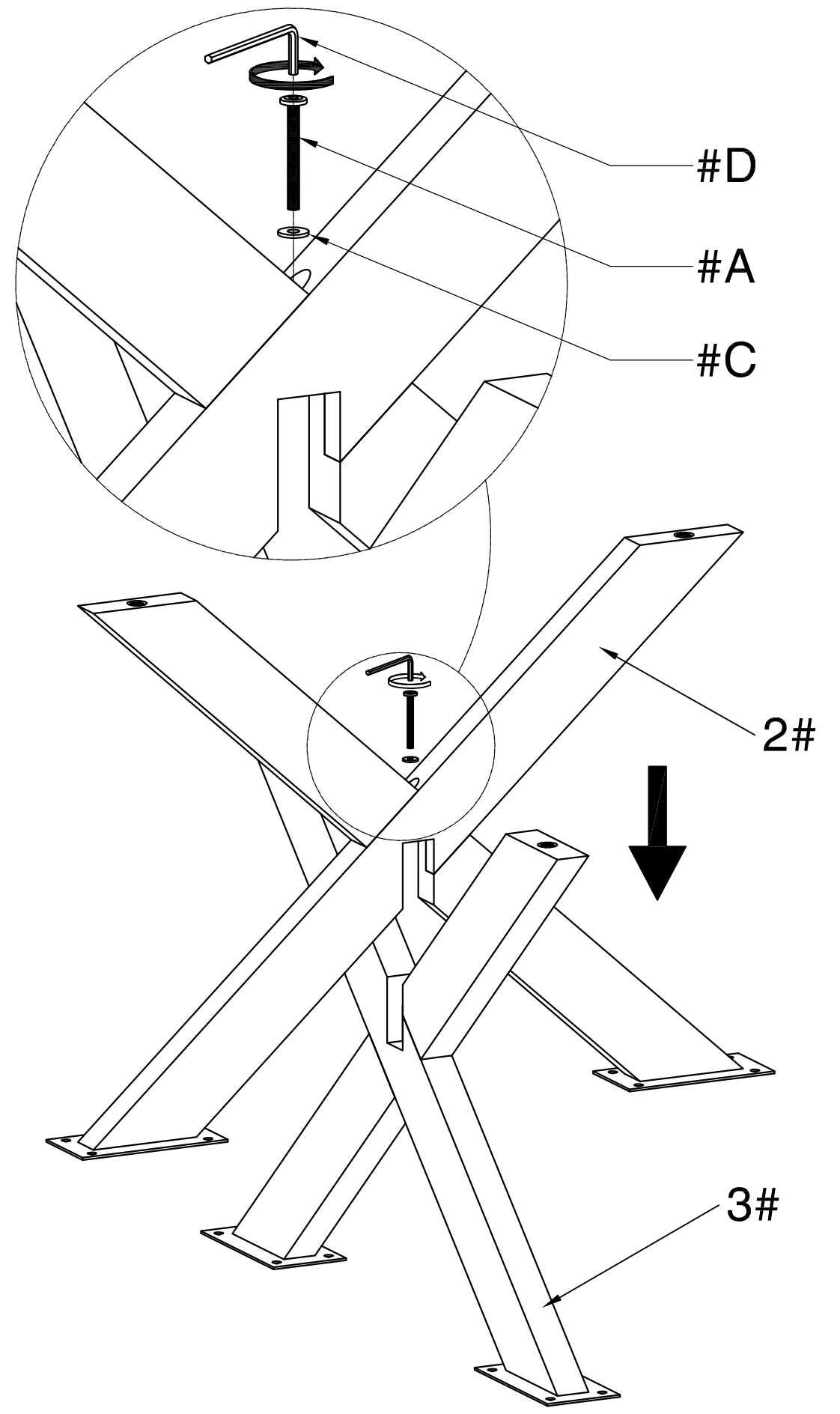
## PART LIST

1#		Table top	X1
2#		Leg A	X1
3#		Leg B	X1
<b>HARDWARE</b>			
A#		Bolt 5/16x70mm	X1
B#		Bolt 5/16x25mm	X16
C#		Flat Washer	X17
D#		Allen key	X1

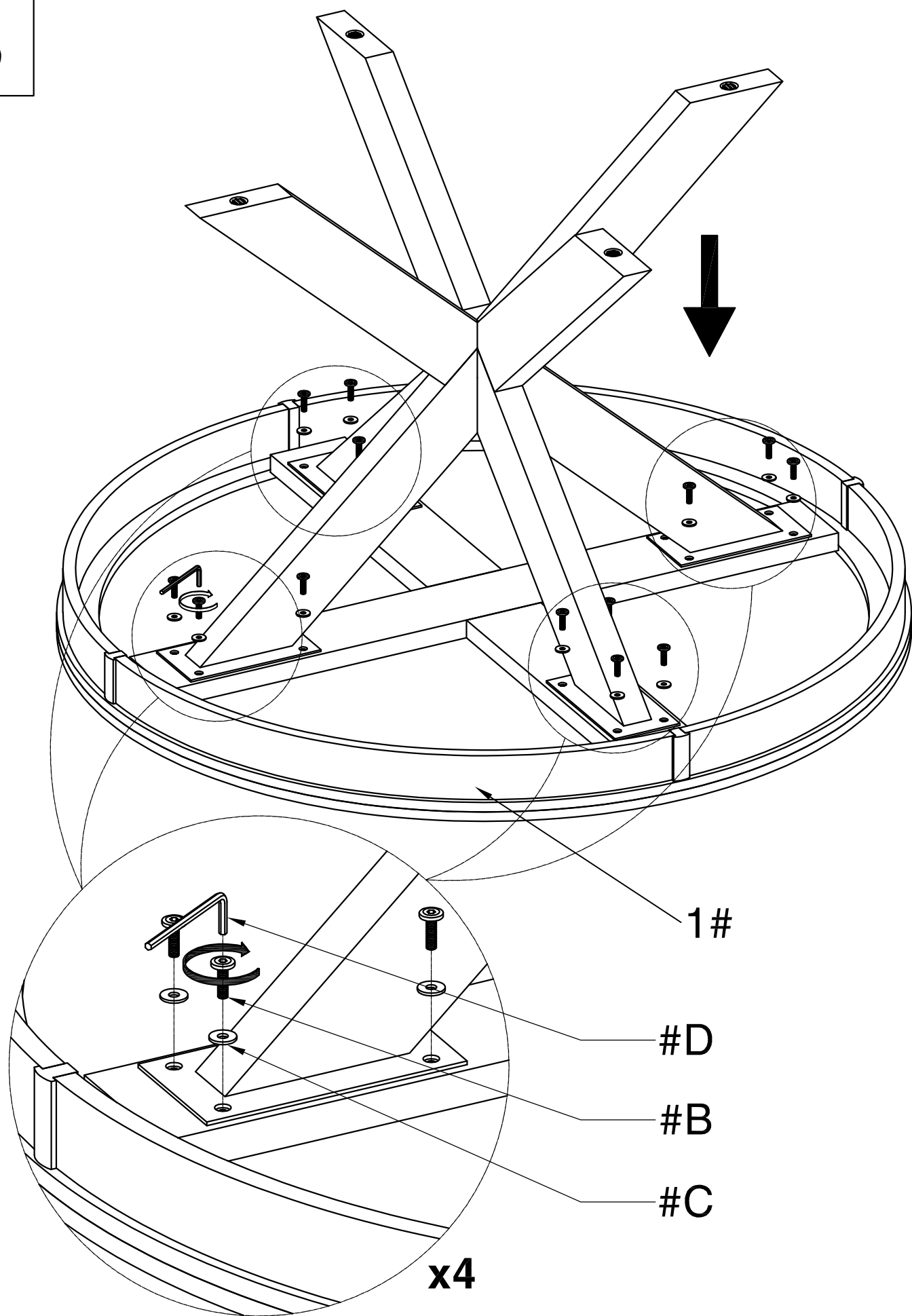
1



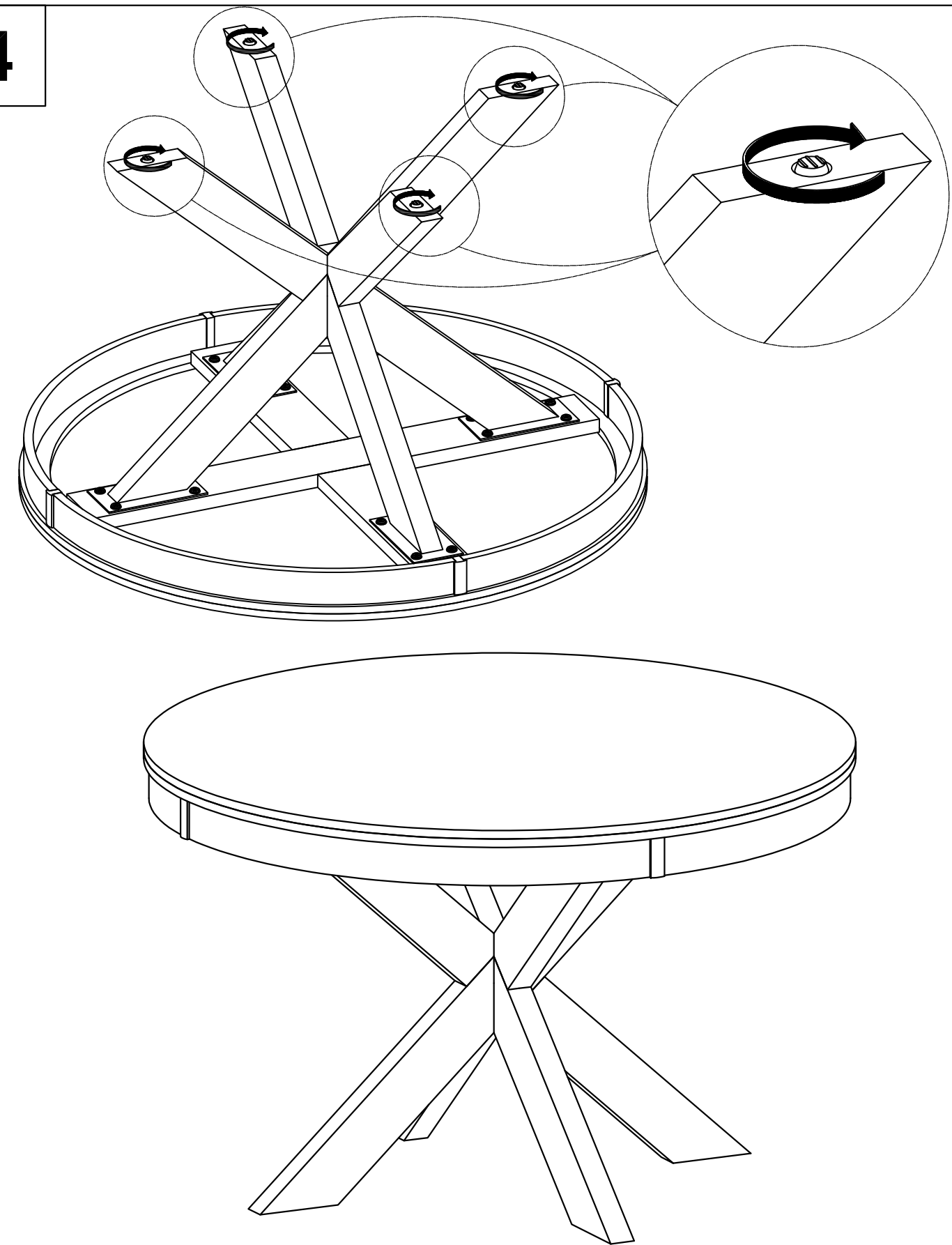
2



3



4



Tips: Turn table upright on a level surface. Level the table and tighten all bolts with the Allen Wrench.