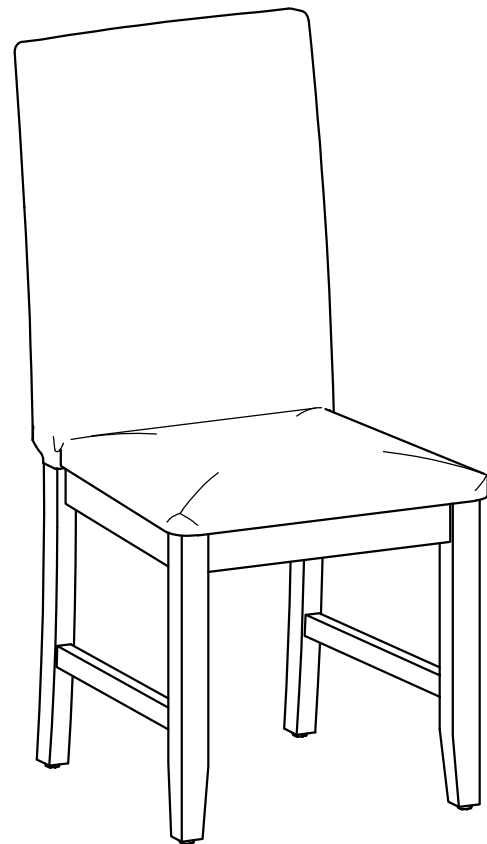


Scan QR code to view assembly video

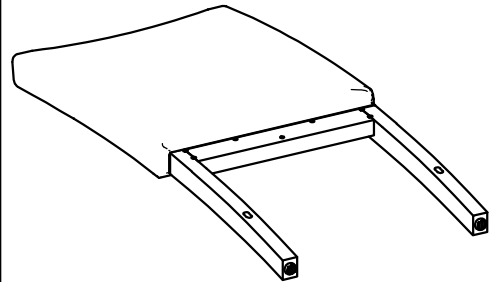
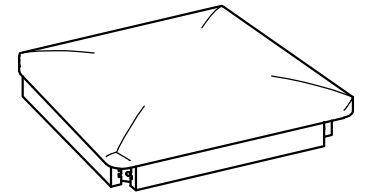
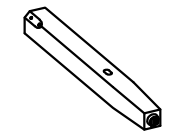
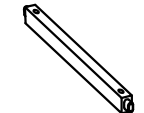
POLLIE UPHOLSTERED DINING SIDE CHAIR



RS 2023 C80 / 325630



PART LIST

1#		Chair back	X1
2#		Seat	X1
3#		Front leg (left & right)	X2
4#		Leg stretcher (left & right)	X2

Important safety instructions:

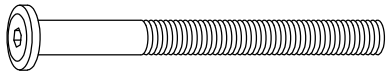
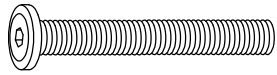
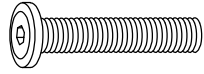



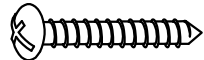
- * Please read carefully all instructions before assembling.
- * For your safety and ease, assembly by two or more adults is recommended.
- * Do not tighten any bolts until all bolts have been started.

Pre-assembly:

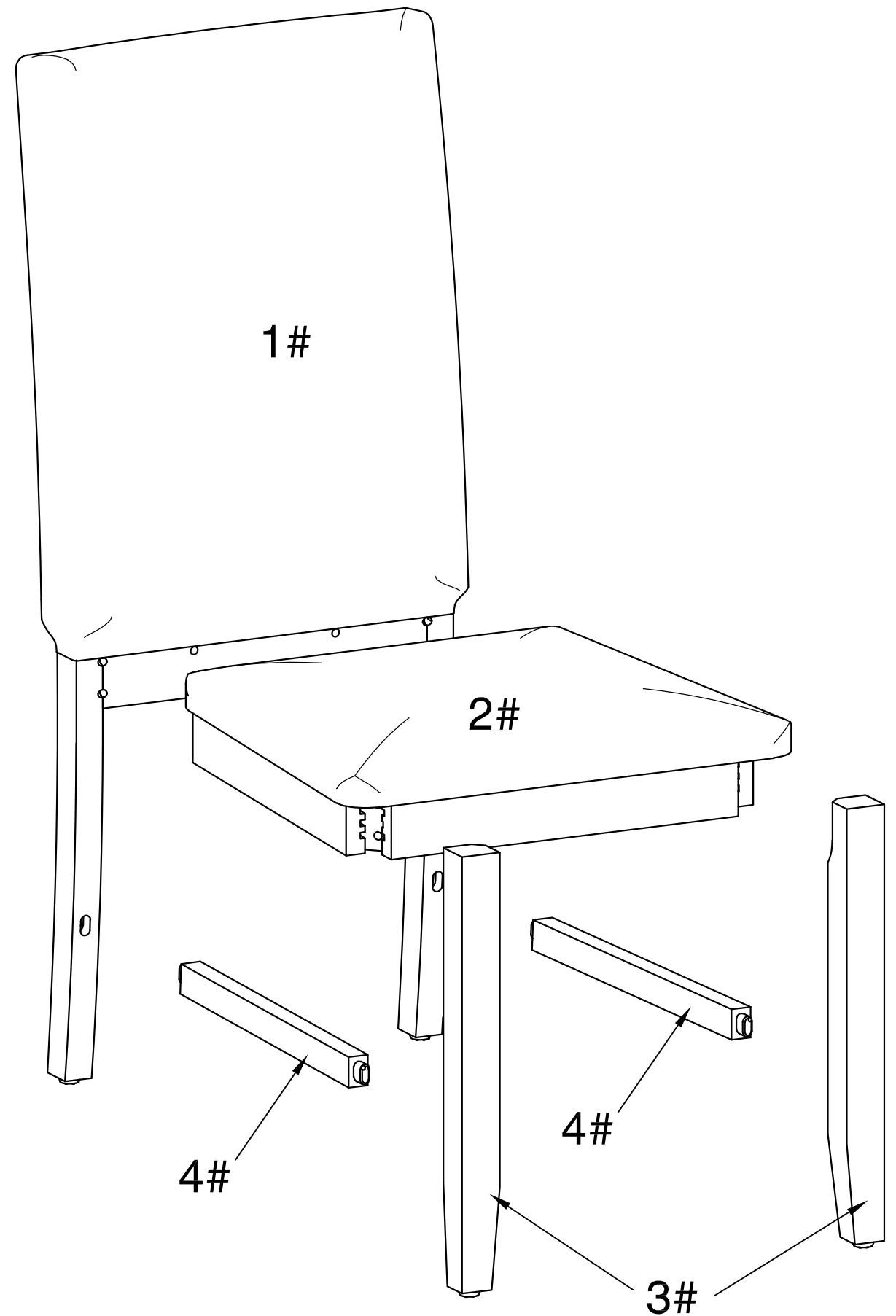
- * Do not discard any content until assembly completed to avoid accidentally discarding small parts or hardware.
- * Take out all parts and hardware from box.

CAUTION: Failure to follow these instructions may cause the bolts to misalign during assembly.

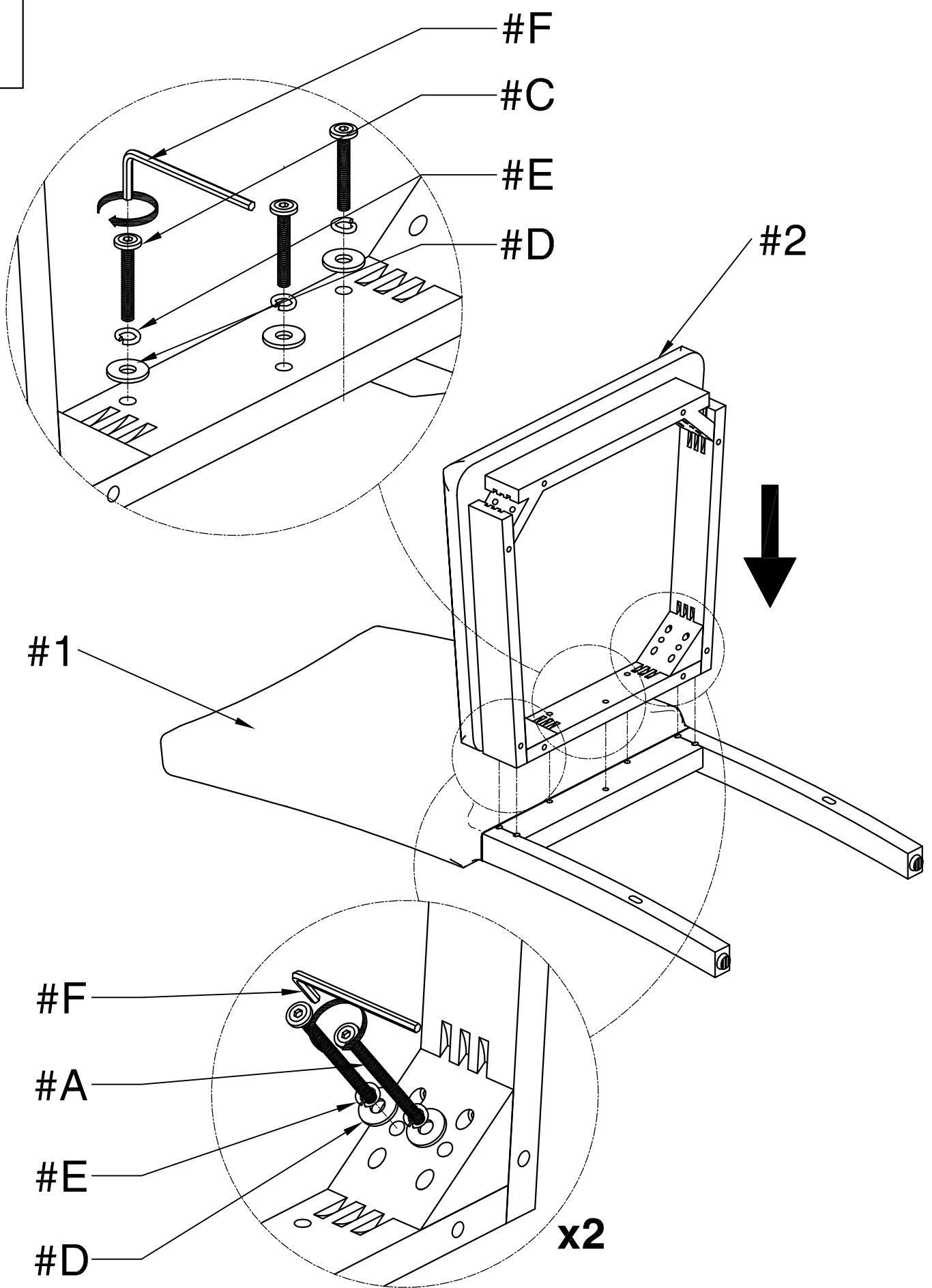
HARDWARE

A#		Bolt 1/4x80mm	X4
B#		Bolt 1/4x60mm	X4
C#		Bolt 1/4x40mm	X3
D#		Flat Washer	X11
E#		Spring washer	X11
F#		Allen key	X1
G#		Round head screw 4x38mm	X4

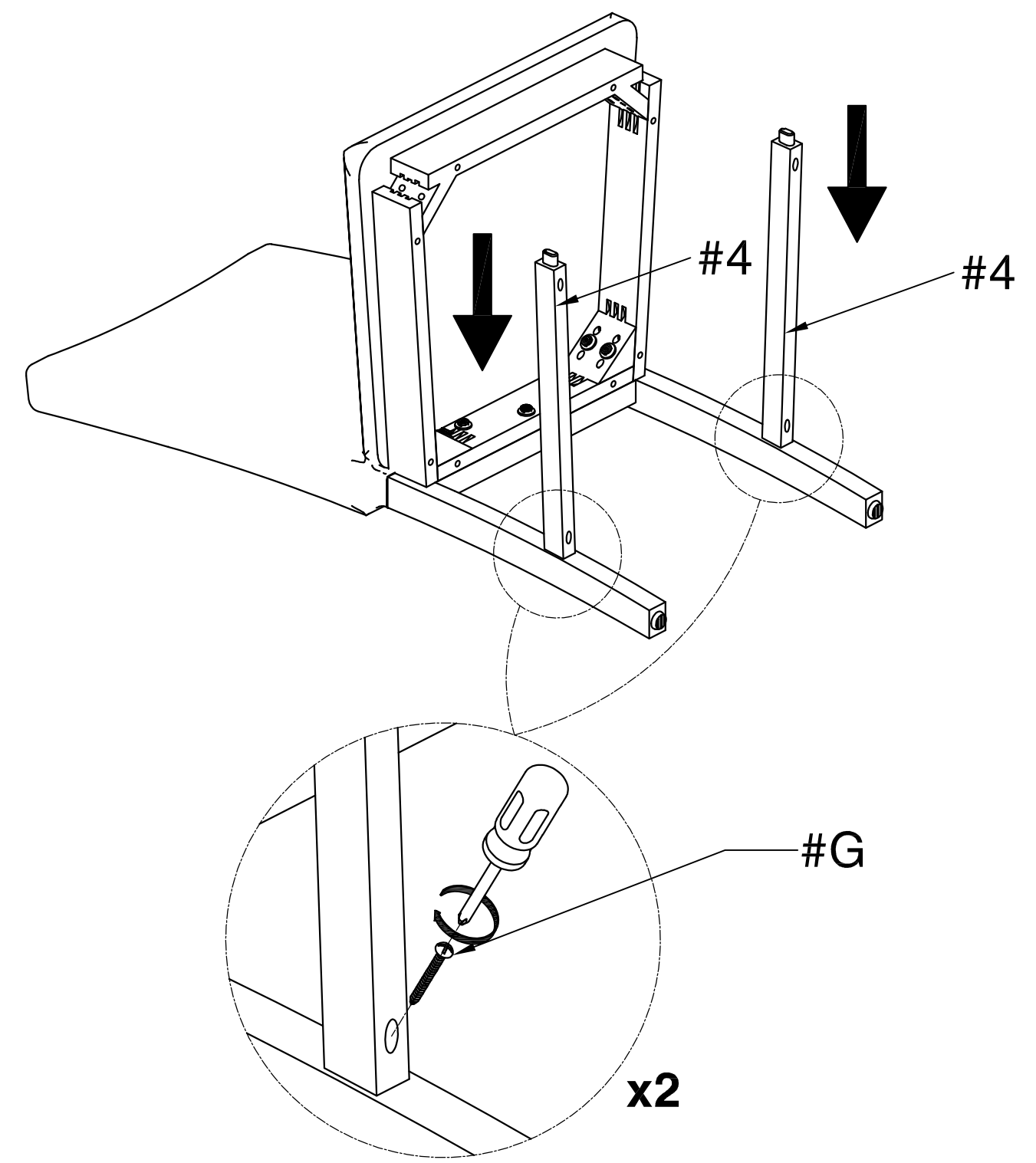
1



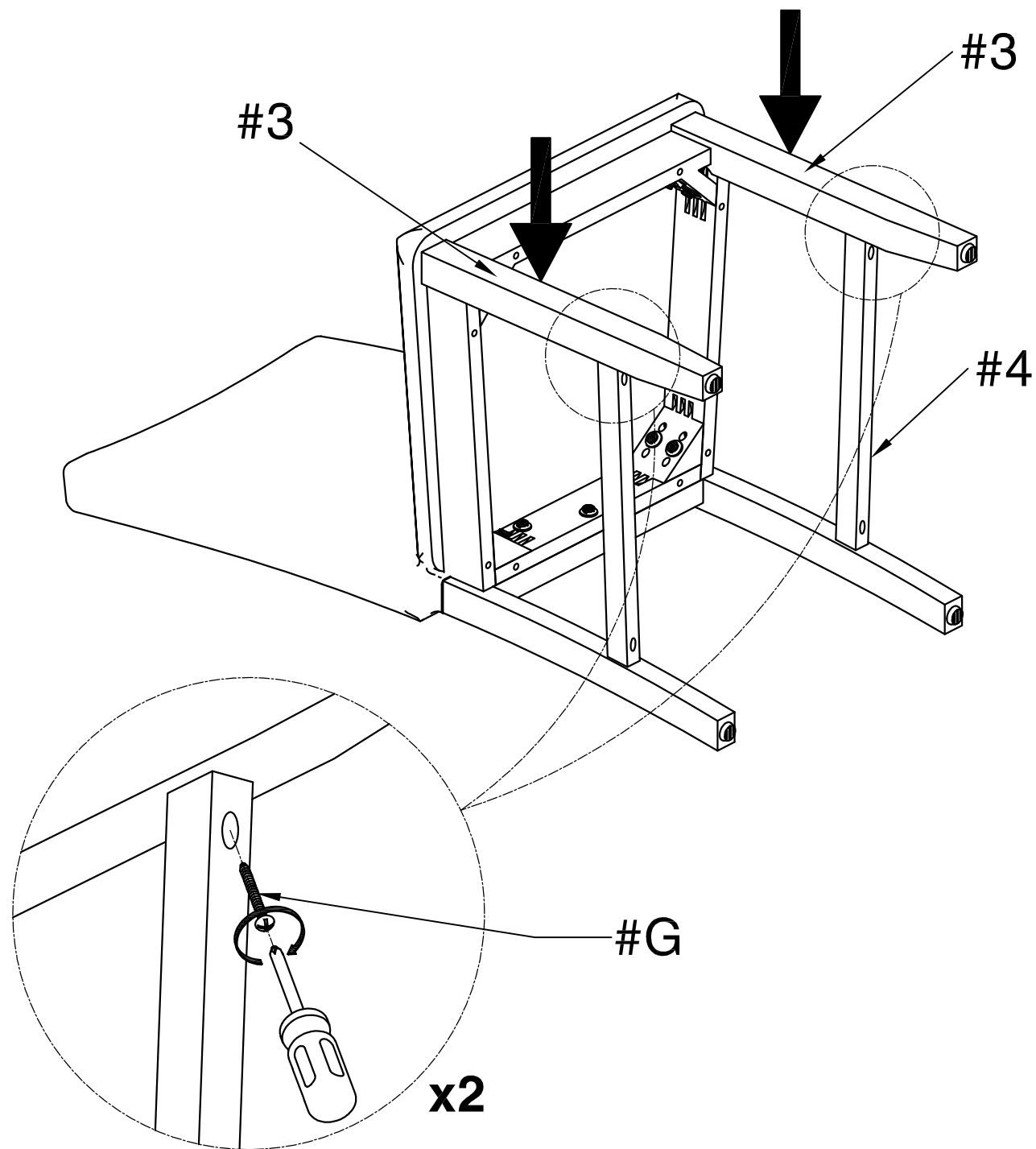
2



3

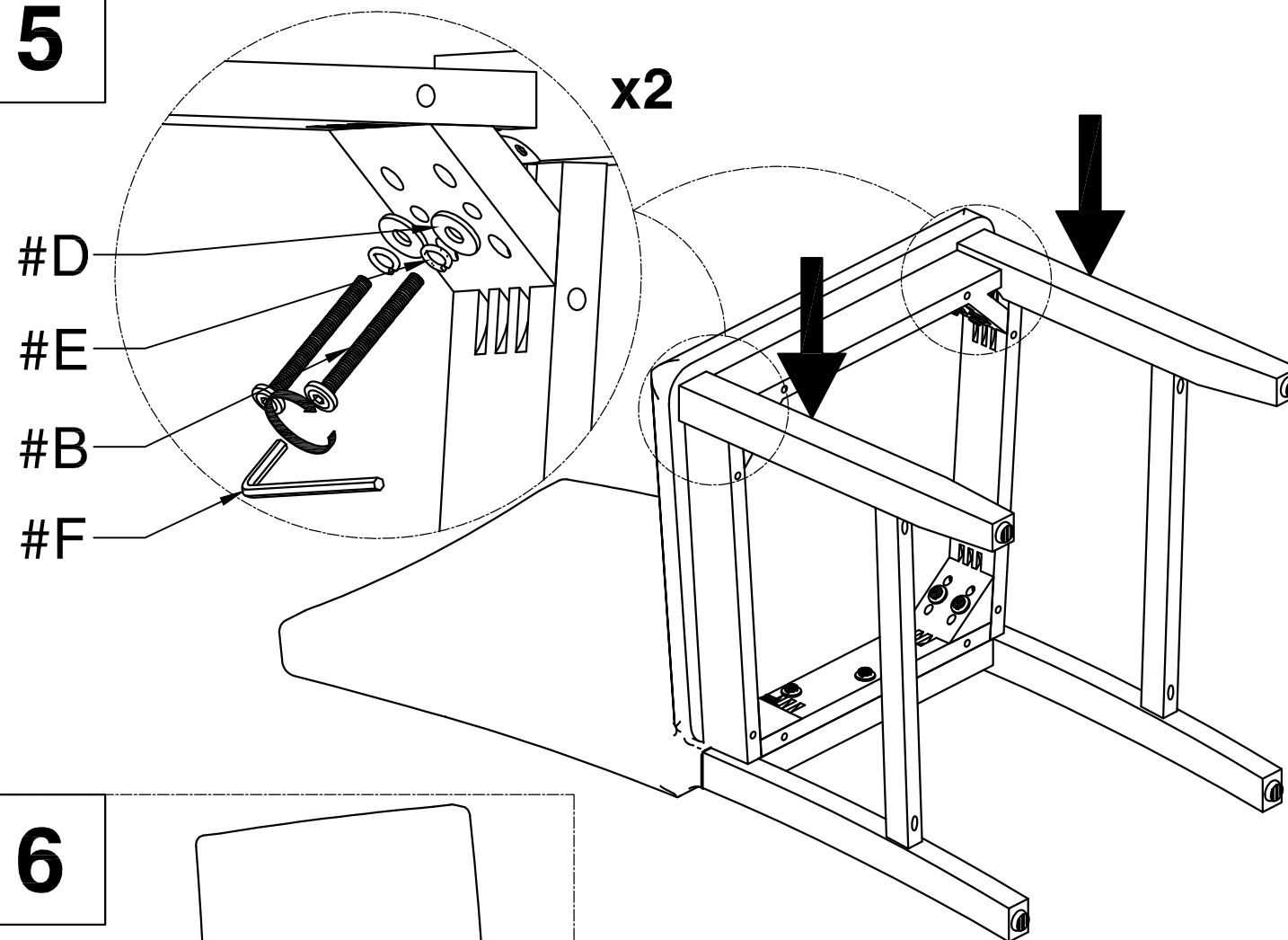


4

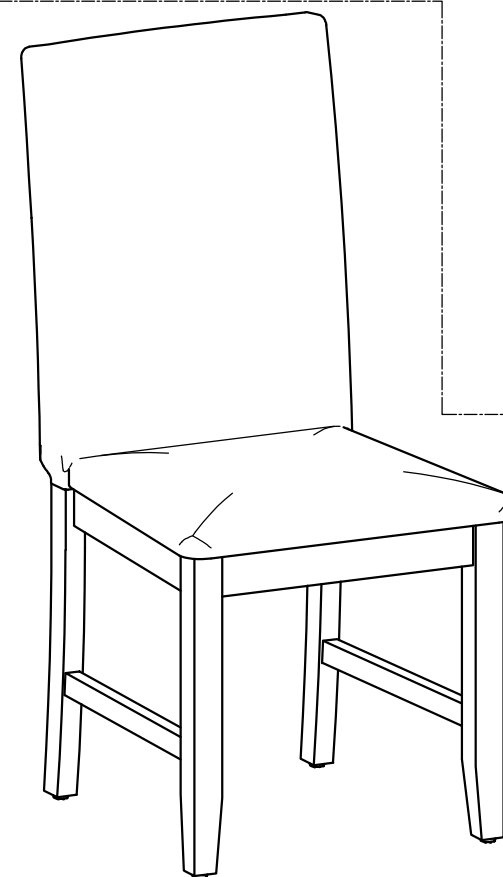


IMPORTANT: PRESS DOWN the front legs (#3) when securing with side stretchers (#4) using screws provided (#G) to avoid the gap between legs and stretchers.

5



6



Tips: Turn chair upright on a level surface. Level the chair and tighten all bolts with the Allen Wrench.