

# ASSEMBLY INSTRUCTION

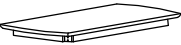


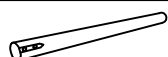
Item No: T248 - 95


Description: 3 PACK (COCKTAIL & 2 END)



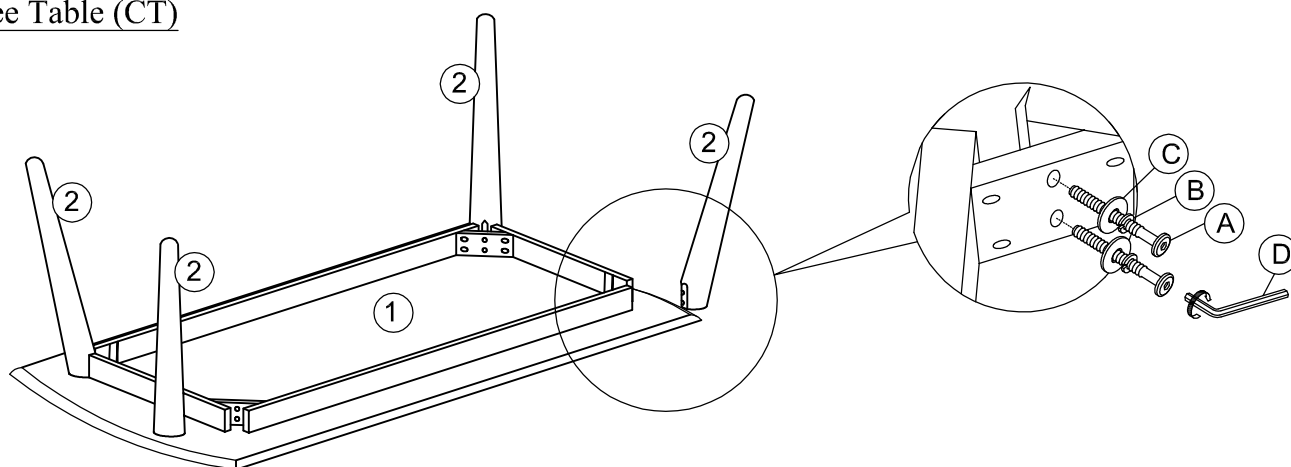
### IMPORTANT NOTE :

- .Place all wooden parts on a clean and smooth surface such as a rug or carpet to avoid the parts from being scratched.
- .Check to be sure that you have all parts and hardware.
- .Remove all wrapping materials, including staples & packing straps before you start to assemble.
- .Do not tighten all screws/bolts until all completely assembled.
- .Keep all hardware parts out of reach of children.

PARTS LIST		
NO.	COMPONENT	QTY.
1	COFFEE TABLE TOP 	1 PC
2	COFFEE TABLE LEG 	4 PCS
3	END TABLE TOP 	2 PCS
4	END TABLE LEG 	8 PCS

HARDWARE LIST		
NO.	COMPONENT	QTY.
A	JCBC BOLT M6 x 60MM 	24 PCS
B	1/4" SPRING WASHER 	24 PCS
C	1/4" FLAT WASHER 	24 PCS
D	ALLEN KEY 	1 PC

### Coffee Table (CT)



### End Table (ET) x 2

